

Installation Instructions

RMR QUICK DISCONNECT GROUNDING WIRE KIT

Safety Information



WARNING: Improper use of this product may lead to serious injury. Read and understand all instructions for proper installation and use of this product.

Tools Required

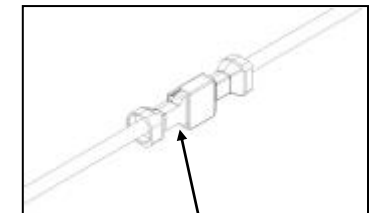
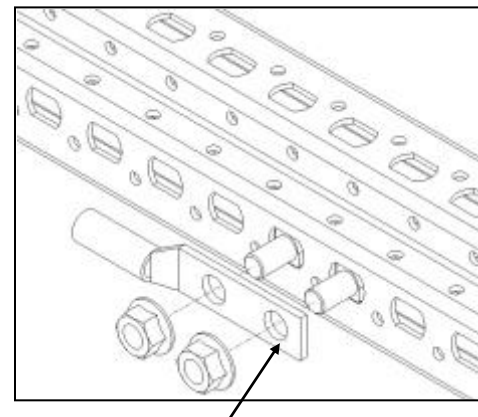
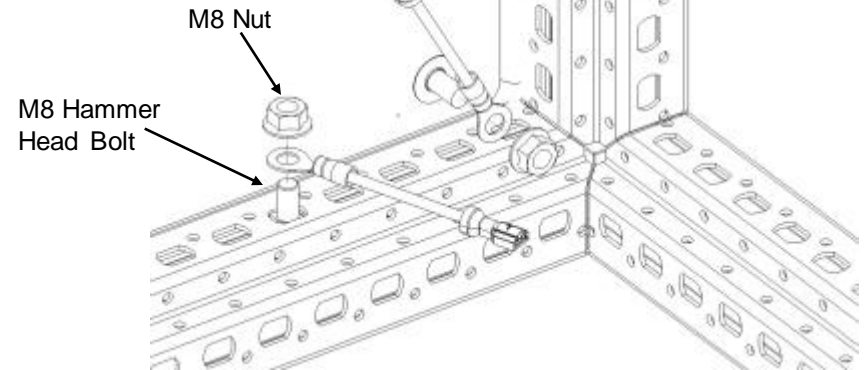
13mm socket wrench

Included Hardware

(8) M8 Hammer Head Bolt
(14) M8 Serrated Flange Nut

Assembly Sequence

1. Attach male ground wire ring terminal to door or panel weld stud using an M8 serrated flange nut.
2. Insert M8 Hammer Bolt into Double-D Cam Hole on frame member at location near for mating ground wires. Rotate M8 Hammer Bolt 90 degrees to engage frame.
3. Install female ground wire ring terminal onto M8 Hammer Head bolt using M8 serrated flange nut.
4. Mate male ground wire to female ground wire using quick connectors.
5. Repeat step 1-4 for other cabinet doors and panels.
6. For compression ground lug installation, select location on frame and remove paint around two adjacent Double-D Cam Holes. Apply a generous amount of antioxidant in bare metal area.
7. Insert M8 Hammer Bolts into the two Double-D Cam Holes. Rotate M8 Hammer Bolt 90 degrees to engage frame.
8. Install ground lug onto M8 bolts using M8 serrated flange nuts.



IIS-737922, 08/10/16, Rev. 1, CPI/JAG

800-834-4969 (USA & Canada) • www.chatsworth.com • techsupport@chatsworth.com

For international phone numbers, see our website or contact CPI Tech Support.

This drawing contains proprietary and confidential information and is protected by U.S. and international law. Unauthorized reproduction, disclosure or use of the drawing or the information therein is expressly forbidden except as agreed to in writing by Chatsworth Products, Inc.