

# Installation Instructions

## Motive Vertical Cable Manager PDU Bracket

### Intended Use

The Dual PDU Bracket Kit for Motive Vertical Cable Manager is used to mount PDU(s) to the central accessory rail. Each pair of brackets can mount a single PDU up to 4 inch wide or two PDUs up to two 2.7 inch wide side-by-side.

### Safety Information



**WARNING:** Before mounting PDUs, the cable manager must be secured to a rack.

### Included Hardware

QTY	DESCRIPTION
4	M6x10 Flat Head Screw
4	M6 Drop-in nuts

### Required Tools

#2 Phillips Screw Driver

### Assembly Sequence

1. Install the four M6 drop-in nuts in central accessory rail T-slot as shown below.



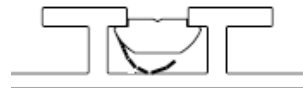
Step 1



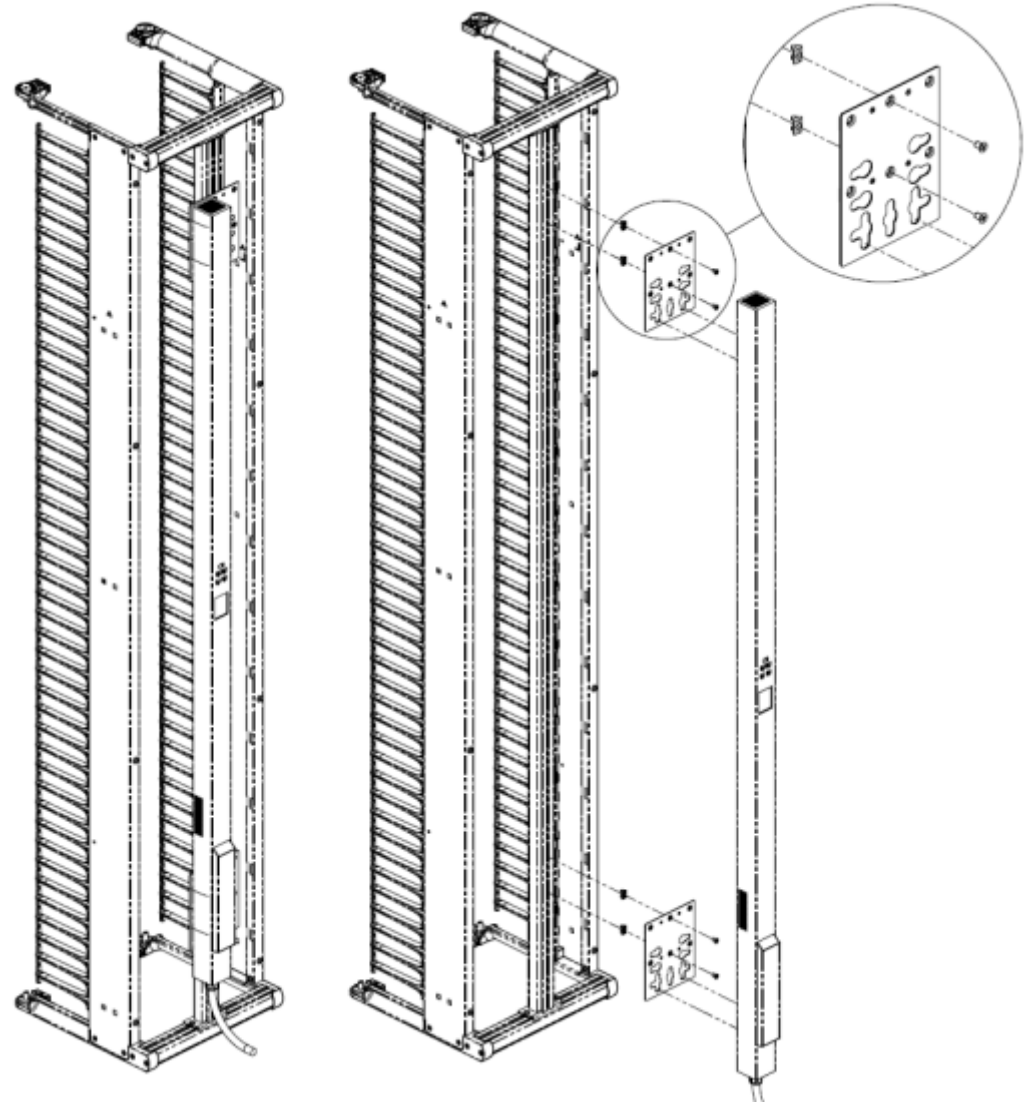
Step 3



Step 2



Step 4



IIS-732601, 10/10/16, Rev. 1, CPI/BDK/RC

800-834-4969 (USA & Canada) • [www.chatsworth.com](http://www.chatsworth.com) • [techsupport@chatsworth.com](mailto:techsupport@chatsworth.com)

For international phone numbers, see our website or contact CPI Tech Support.

*This drawing contains proprietary and confidential information and is protected by U.S. and international law. Unauthorized reproduction, disclosure or use of the drawing or the information therein is expressly forbidden except as agreed to in writing by Chatsworth Products, Inc.*

# Installation Instructions

## Motive Vertical Cable Manager PDU Bracket

2. There are three mounting configurations as shown at the right.
  - a. Center Mounting: For all cable manager widths
  - b. Offset Mounting: For 10 inch wide cable managers or larger
  - c. Wide Mounting: For 15 inch wide cable managers only
3. Slide drop-in nuts to align with holes in brackets. Thread two M6x10 screws through each bracket and into drop-in nuts. Do not tighten.
4. The arrows shown in the picture indicate the mounting locations for the PDU. The vertical distance between these holes must match the distance between the PDU mounting pins. The RMU markings on the central accessory rail can aid with this. See the table below for common PDU spacing dimensions.

Common PDU Tool-less Mount Spacing	Equivalent RMU Value
12.25" (311 mm)	7U
49.0" (1245 mm)	28U
61.25" (1556 mm)	35U
64.75" (1645 mm)	37U

5. After the brackets have been positioned the screws can be tightened.

