

# Installation Instructions

## Motive Vertical Cable Manager Side Panel

### Intended Use

The Motive Vertical Cable Manager Side Panel is used to cover the end of the cable manager at the end of a row.

### Included Hardware

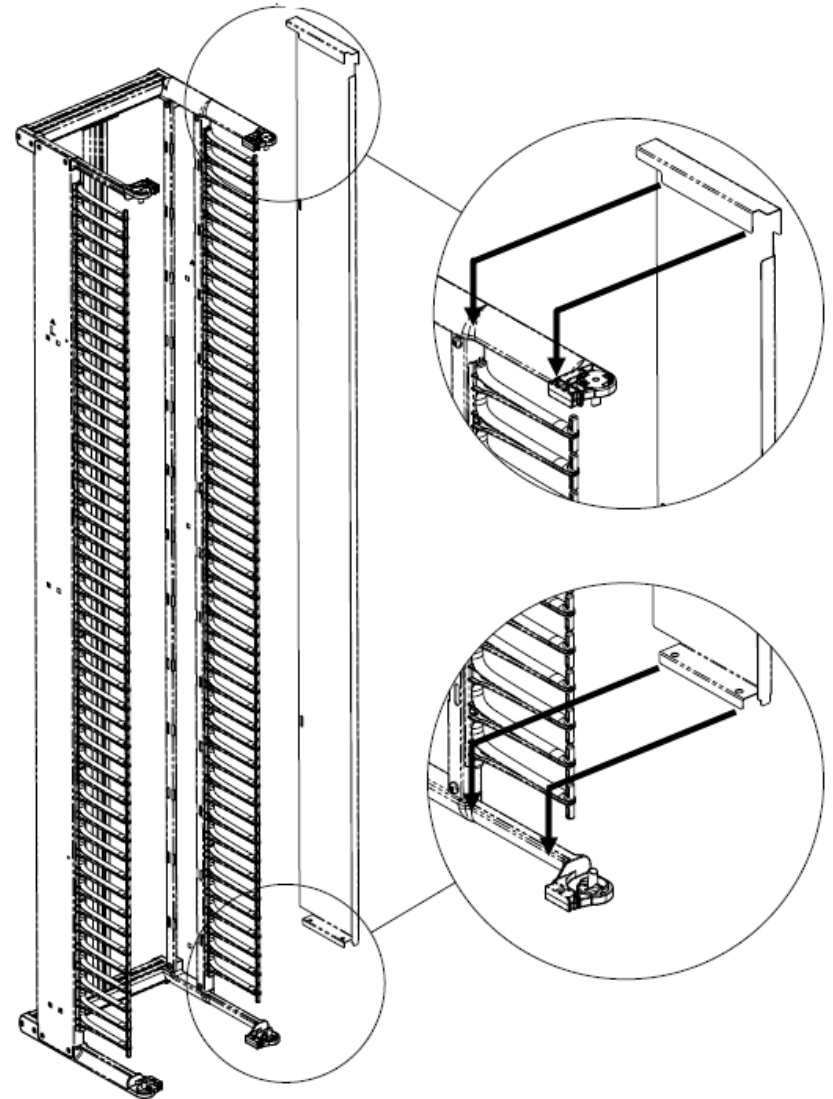
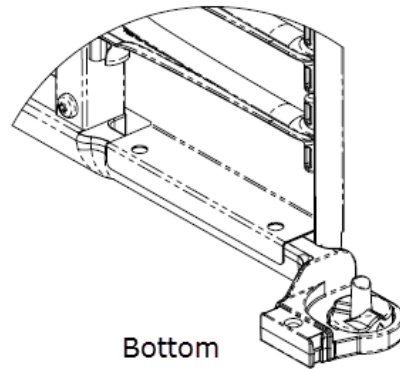
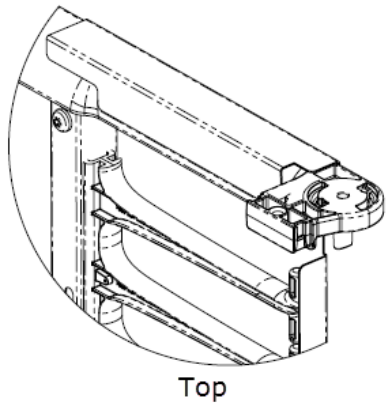
QTY	DESCRIPTION
2	M6x10 Pan Head Torx Screw

### Required Tools

T30 Torx Driver

### Assembly Sequence

1. Position the side panel adjacent to the cable manager, as shown in the picture at the right. Note: The side panels are left- and right-handed to ensure the vertical flange is at the front and the top and bottom flanges are pointed down as shown.
2. Lift the panel up above the manager top and bottom arms about 1-2 inches. Place the panel against the manager and slide it down until the top and bottom flanges are hooked over the manager arms, as shown below.



# Installation Instructions

## Motive Vertical Cable Manager Side Panel

3. Install two M6x10 Pan Head Torx Screws as shown at the right.

