

Installation Instructions

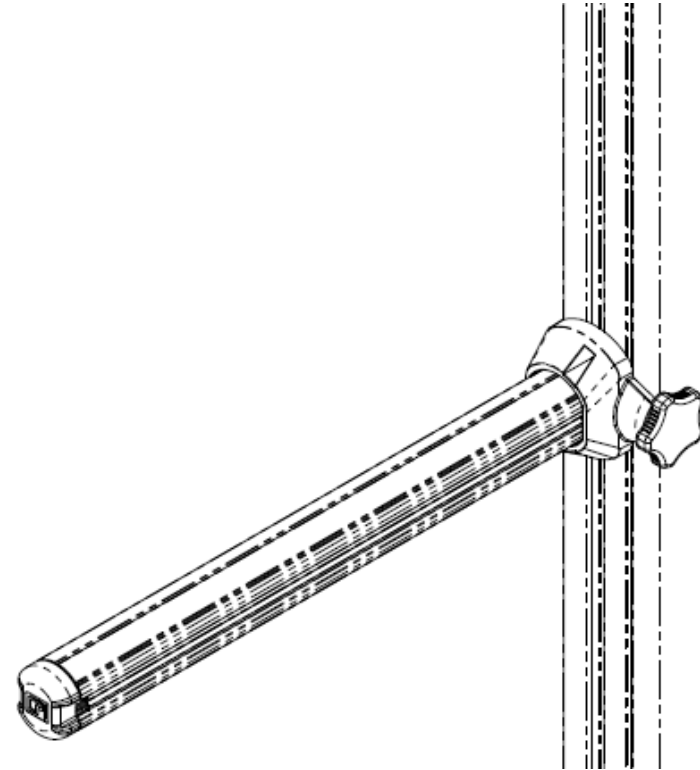
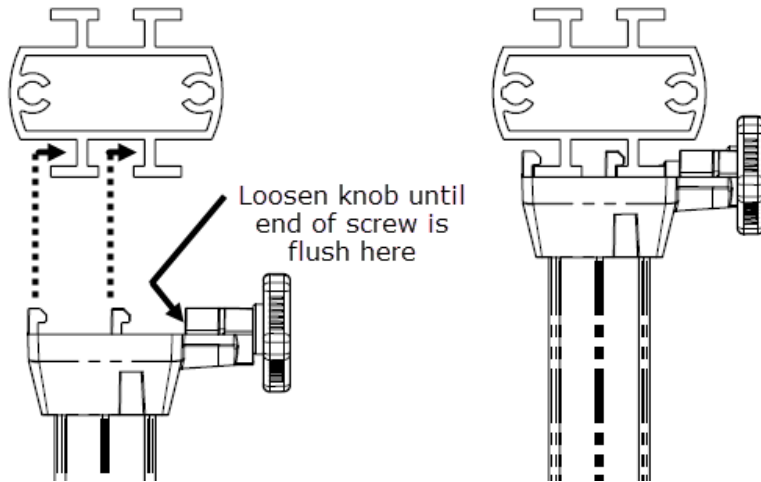
Motive Vertical Cable Manager Accessories

Intended Use

The Motive Vertical Cable Manager Cable Accessories are used to support, route and control bend radii for cable bundles within the cable manager.

Accessory Rod Installation

1. The Accessory Rod kit (32650-701) for single-sided and (32650-702) for double-sided includes 2 rod assemblies.
2. Loosen the Accessory Rod thumbscrew until the end of the screw is flush with the end of the screw boss, as shown in the picture below.
3. Install the Accessory Rod onto the cable manager central accessory rail with the mounting boss legs inserted into the extrusion channels as shown.
4. Tighten the thumbscrew to clamp the rod at the desired location.



IIS-732650, 10/7/16, Rev. 1, CPI/BDK

800-834-4969 (USA & Canada) • www.chatsworth.com • techsupport@chatsworth.com

For international phone numbers, see our website or contact CPI Tech Support.

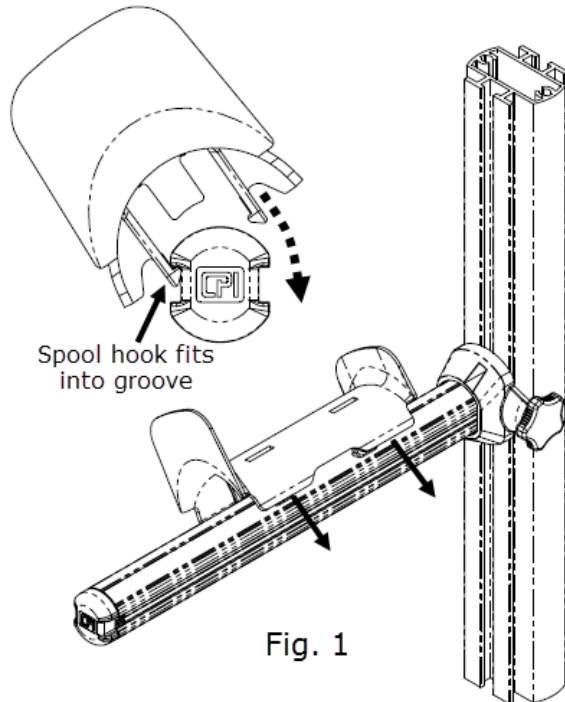
This drawing contains proprietary and confidential information and is protected by U.S. and international law. Unauthorized reproduction, disclosure or use of the drawing or the information therein is expressly forbidden except as agreed to in writing by Chatsworth Products, Inc.

Installation Instructions

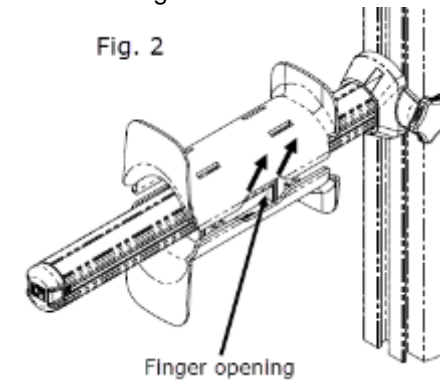
Motive Vertical Cable Manager Accessories

Spool Installation

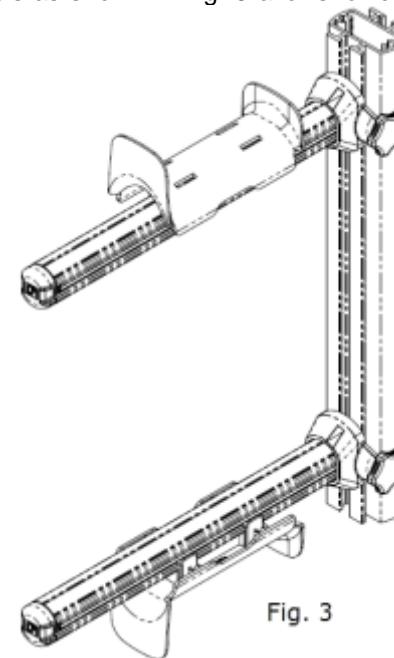
1. The cable spool kit (PN 32651-001) includes 4 half spools.
2. With the spool at an angle, as shown in Fig. 1, fit the spool hooks into the groove on one side of the Accessory Rod. Rotate the spool until the hooks on the other side of the spool snap into the Accessory Rod groove.



3. A second spool half can be mounted on the bottom of the Accessory Rod to form a complete spool, as shown in Fig. 2.



4. Mounting the half spools as shown in Fig. 3 allows for cable slack storage.



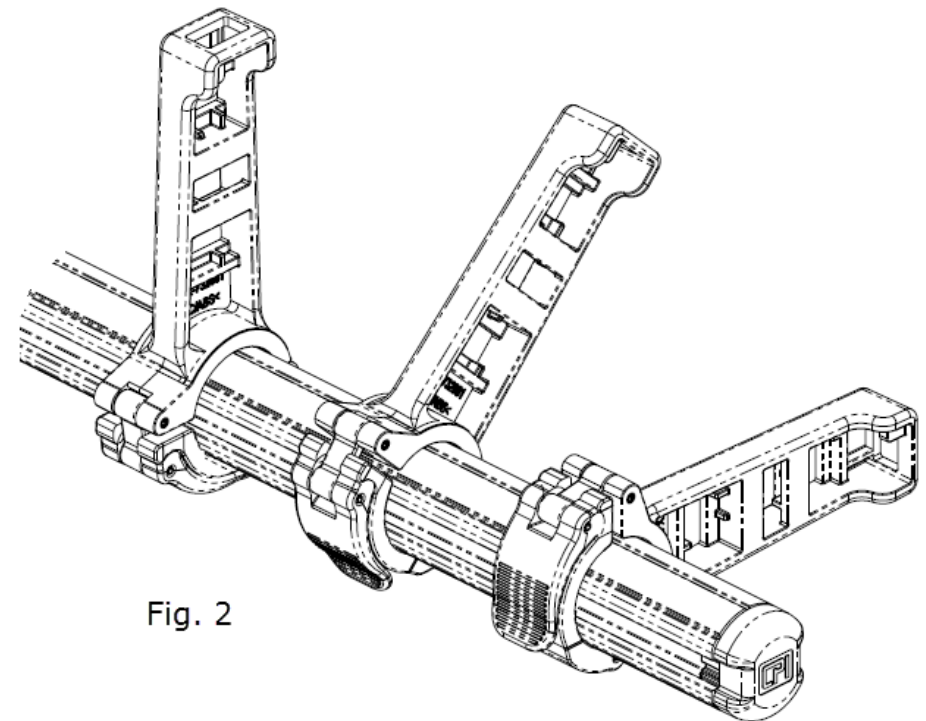
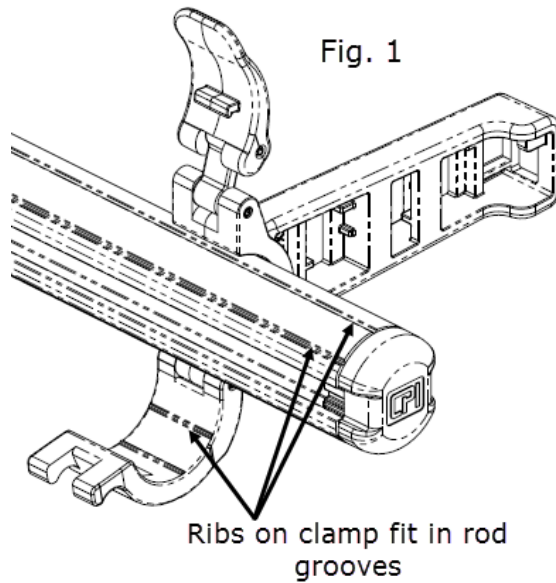
5. To remove a spool: Grab one side of the spool using the finger opening on the side, (see Fig. 2) and pull up and outward.

Installation Instructions

Motive Vertical Cable Manager Accessories

Rotating Management Finger Installation

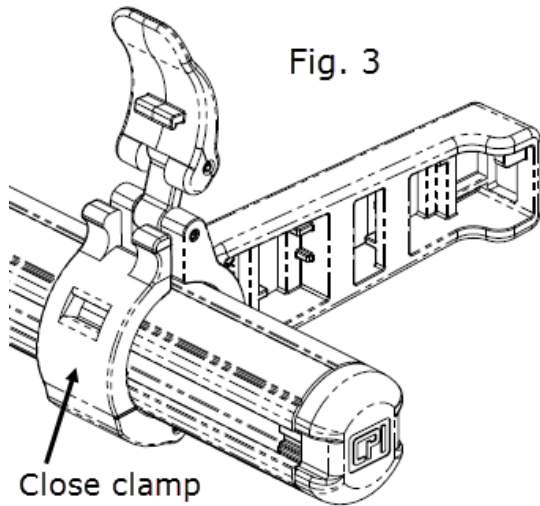
1. The Rotating Management Finger Kit (PN 32661-001) includes 4 finger assemblies. The fingers are intended to work in 10 inch and wider managers.
2. Position the finger in the desired location on the Accessory Rod. Ensure that the raised ribs on the inside radius of the finger and clamp are seated in the grooves on the Accessory Rod (See Fig. 1). The spacing of the ribs and grooves allow the finger to be positioned radially at 45° increments. (See Fig. 2).



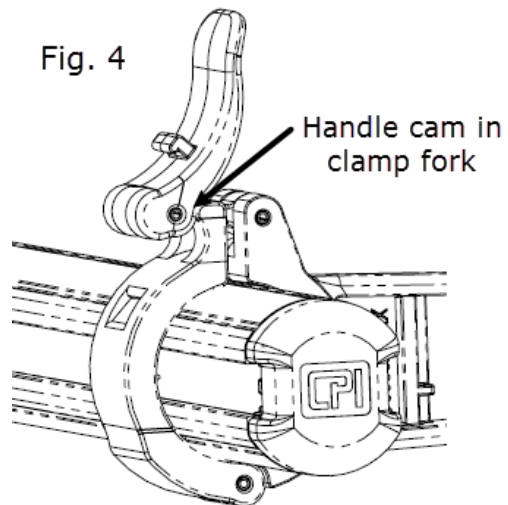
Installation Instructions

Motive Vertical Cable Manager Accessories

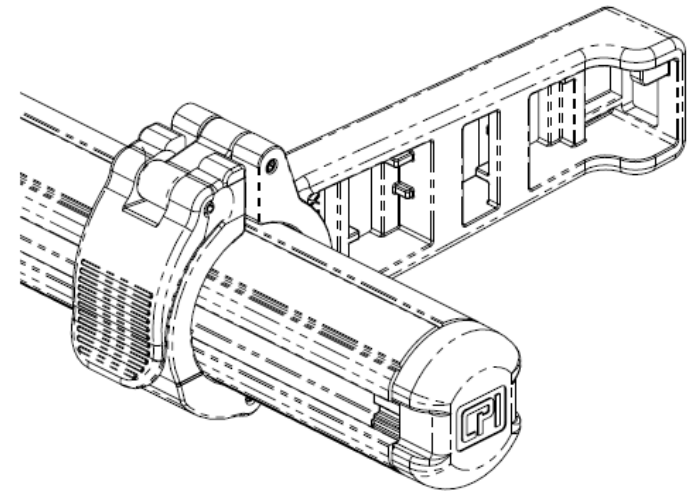
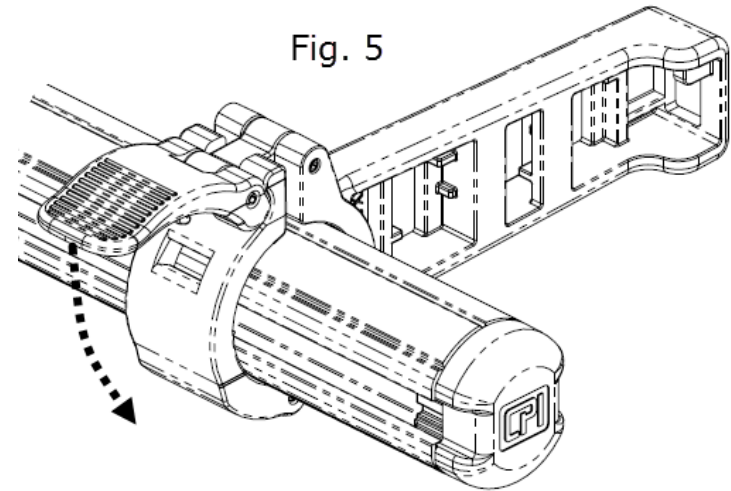
3. Close the clamp around the rod. See Fig. 3.



4. Move the handle so that the cam engages the clamp fork, see Fig. 4.



5. Rotate handle until it locks as shown below in Fig. 5.



Installation Instructions

Motive Vertical Cable Manager Accessories

Cable Bundle Swivel Installation

1. The Cable Bundle Swivel Kit includes 12 (32657-001) or 48 (32657-002) swivel assemblies.
2. The swivels can be mounted on the Rotating Management Finger accessory (shown in Fig. 1) or in the T-slots of the central accessory rail or Accessory Rod extrusions (See Fig. 2). The Rotating Management Finger has 4 mounting positions, 3 on the sides and 1 on the end.
3. Insert the swivel T-stud into the rectangular opening of the rotating arm or the extrusion T-slot. Rotate the swivel handle 90° clockwise to lock the swivel in place.
4. Cable bundles are secured to the swivels using hook and loop straps, 3/4" wide maximum (not provided).

