

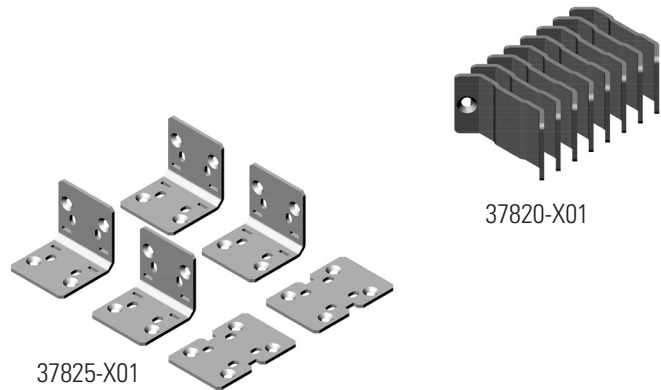
## Baying Kits for RMR Enclosure Systems

Baying Kits attach, or bay, two RMR Modular Enclosures together side-by-side.

- Brackets maintain the space between enclosures to ensure a tight seal
- Enclosures must be the same height and depth
- Side panels are removed or omitted from the both enclosures before the enclosures are bayed

### RMR Modular Enclosure Baying Accessory Kit

Includes eight external baying brackets, two flat brackets and microcellular urethane foam seal to fill gap between enclosures.

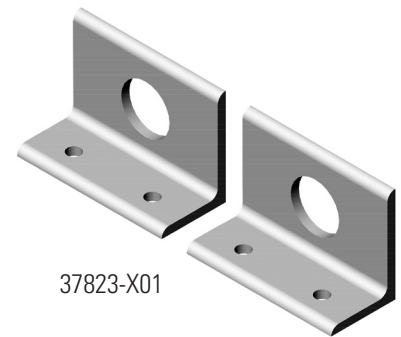


### RMR Modular Enclosure Internal Baying Accessory Kit With Seal

Includes four corner baying brackets, four flat brackets and microcellular urethane foam seal to fill gap between enclosures.

### RMR Modular Enclosure Eyebolt Baying Kit

Creates lifting points at front and rear center of two bayed enclosures. Includes two eyebolt baying brackets and installation hardware. Use with a Baying Accessory Kit.



### ORDERING INFORMATION

Part Number	Description	Shipping Weight lb (kg)
37820-X01	Baying Accessory Kit	5 (2.3)
37825-X01	Internal Baying Accessory Kit With Seal	6 (2.8)
37823-001	Eyebolt Baying Kit	7 (3.2)

X=color: C=Black, G=Hammer Gray.

For product CSI Specs, visit the Support & Downloads page on [www.chatsworth.com](http://www.chatsworth.com).

#### US & Canada

+1-800-834-4969  
Toronto, Ontario, Canada  
+905-850-7770  
chatsworth.com  
techsupport@chatsworth.com

#### Latin America

+52-55-5203-7525  
Toll Free within Mexico  
01-800-01-7592  
chatsworth.com.co

#### Europe

+44-1628-524-834  
chatsworthproducts.co.uk

#### Middle East & Africa

Dubai, UAE  
+971-4-2602125  
chatsworth.ae

#### Asia Pacific

+86 21 6880-0266  
chatsworth.com.cn



CHATSWORTH  
PRODUCTS