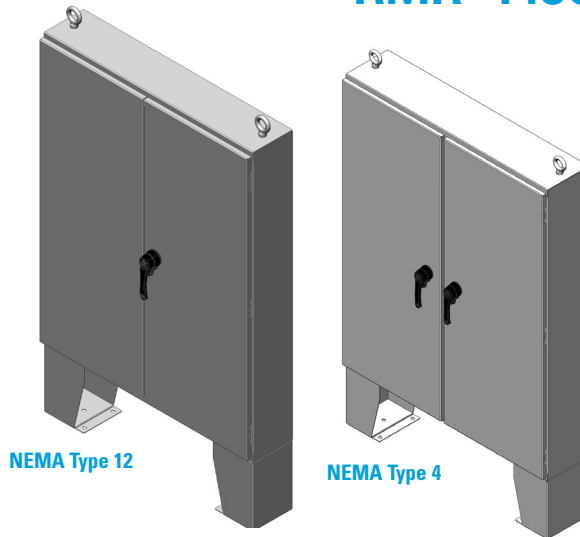


# RMR® Floor-Mount Enclosures

**RMR® Floor-Mount Enclosures provide NEMA Type 4 and 12 protection for large electronic components and controls that require sturdy mounting. Floor stands elevate the enclosure above the floor for added clearance and easier cable access.**



## ADVANTAGES

- ➔ Advanced formed-in-place foam gasket technology meets NEMA Type 4 and 12 protection ratings
- ➔ Floor stands provide additional clearance and easy access to bottom of enclosure for cable entrance and additional protection
- ➔ CPI Product Designer, free online configurator, allows quick selection of sizes and design configurations to match most requirements
- ➔ Solid, removable mounting plate (ordered separately) provides maximum mounting space for electrical controls and instrument equipment
- ➔ Various accessories support indoor or outdoor use



## KEY FEATURES

- Sealed with formed-in-place foam gasket technology to meet NEMA Type 4 and 12 protection ratings
- Solid double door with 3-point latch and heavy-duty padlock swinghandle(s). Auxiliary ¼-turn latches are included on top and bottom of NEMA Type 4 enclosures that are 31"W (787 mm) or wider
- Attachment points at the rear for a mounting plate; plate ordered separately
- Three lock styles available: keyed, double bit and square
- Grounding and bonding studs and wire included on doors and frame; bonding kit sold separately
- Removable floor stand is bolted to the frame
- Powder-coated paint

## SPECIFICATIONS

	Industrial control enclosure for use in indoor and outdoor applications. Protects equipment against the ingress of dust, lint and other debris, as well as dripping and splashing from noncorrosive liquids.
	NEMA Type 12, for indoor use, protects against dirt and dripping and light splash of noncorrosive liquid. It also meets NEMA Type 1 and 5; NEMA Type 2 with drain hole and NEMA Type 3R with drain hole and drip shield. Type 12 Enclosures are: - UL Listed, Industrial Control Panel Enclosures, Type 1, 2, 3R, 5 and 12; File Number NITW.E473128 - UL Listed, Industrial Control Panel Enclosures for Canada, Type 1, 2, 3R, 5 and 12, File NITW7.E473128 - UL Classified to IP 55 Degrees of Protection by Enclosures Certified to IEC Publication, E0FI.E486325 RoHS, REACH
Industry Standards	NEMA Type 4, for outdoor use, protects against dirt, rain, sleet, snow, splash and hose down with noncorrosive liquid. It also meets NEMA Type 1, 3, 5, 12; and NEMA Type 2 and 3R with drain hole. Type 4 Enclosures are: - UL Listed, Industrial Control Panel Enclosures, Type 1, 2, 3, 3R, 4, 5 and 12; File Number NITW.E473128 - UL Listed, Industrial Control Panel Enclosures for Canada, Type 1, 2, 3, 3R, 4, 5 and 12, File NITW7.E473128 - UL Classified to IP 66 Degrees of Protection by Enclosures Certified to IEC Publication, E0FI.E486325 RoHS, REACH
Overall Dimensions	Specific to each enclosure; see ordering information on following pages
Materials and Construction	Frame: - Welded, steel frame ; includes (2) heavy-duty lifting eye bolts on top - Location for removable mounting plate included on the rear; plate ordered separately - Removable floor stands  Door: - Solid double door; 3-point latch mechanism; concealed hinges - Black powder-coated, zinc die cast, heavy-duty padlock swinghandle(s), accepts .38 in (9.5 mm) diameter padlock - Bonding stud and wire included - Locks: Keyed, double bit, squared; Sealing: Formed-in-place foam gaskets
Finish	Hammer Gray (RAL 7035), Gray ANSI 61, Black; Additional finish options available upon request
Compliance	NEMA Type 1, 2, 3, 3R, 4, 5 and 12; IP 55 and IP 66

Availability: US, Canada, Latin America, Europe and Middle East

### US & Canada

+1-800-834-4969  
 Toronto, Ontario, Canada  
 +905-850-7770  
 chatsworth.com  
 techsupport@chatsworth.com

### Latin America

+52-55-5203-7525  
 Toll Free within Mexico  
 01-800-01-7592  
 chatsworth.com.co

### Europe

+44-1628-524-834  
 chatsworth.com

### Middle East & Africa

Dubai, UAE  
 +971-4-2602125  
 chatsworth.ae

### Asia Pacific

+86 21 6880-0266  
 chatsworth.com.cn



CHATSWORTH  
 PRODUCTS

**NEMA Type 4, 12 Protection Ratings for Nonhazardous Locations**

RMR Floor-Mount Enclosures by Chatsworth Products (CPI) provide exceptional material ingress protection for panel-mount networking, automation, control and instrumentation equipment in nonhazardous indoor and outdoor locations. The RMR Floor-Mount Enclosure features a welded steel frame with robotically applied formed-in-place foam gaskets, which maintain the enclosure's NEMA Type 4 and 12 protection ratings.

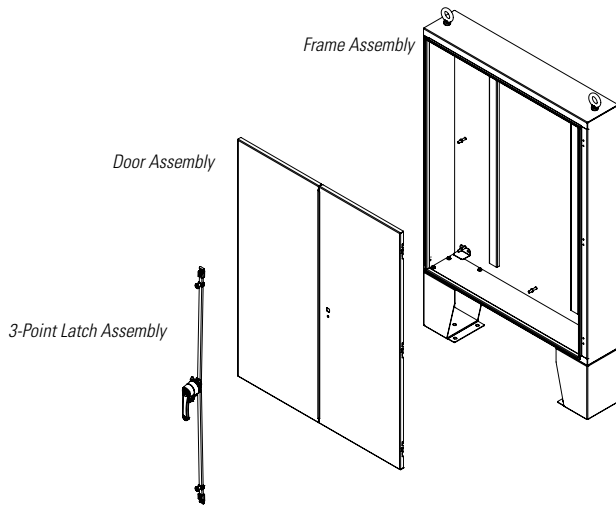
RMR Floor-Mount Enclosures feature floor stands that provide additional clearance and easy access for cable access through the bottom of the enclosure. The floor stands are bolted onto the frame and can be easily removed for relocation of the enclosure.

Eight heavy-duty mounting studs on the rear of the enclosure accept a mounting plate. The high-strength, solid mounting plate (ordered separately), attaches to the enclosure and provides a large mounting surface for equipment.

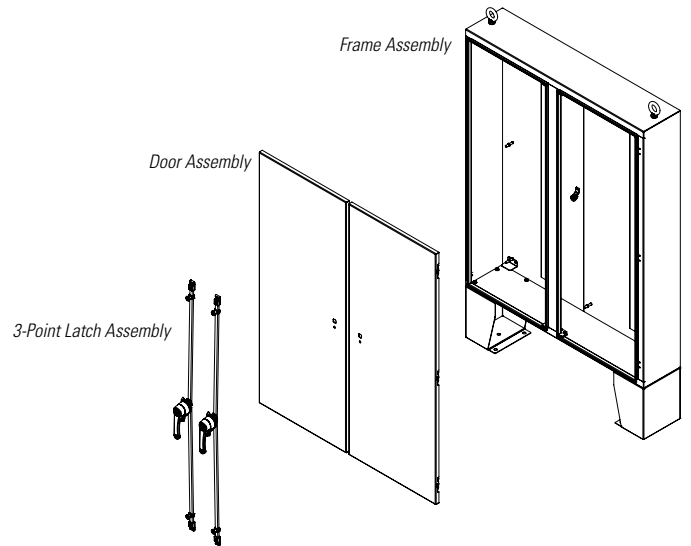
The enclosure features a solid double door with three-point latch mechanism and heavy-duty padlock swinghandle. NEMA Type 4 enclosures feature a removable center beam to maintain sealing performance between doors. Remove the center beam to conveniently mount large equipment onto the mounting plate, or to install the mounting plate with preinstalled equipment onto the frame. NEMA Type 12 enclosures feature overlapping solid double doors with three-point latch but do not include a center beam. Three lock styles are available: keyed, double bit and square.

**DIMENSIONS**

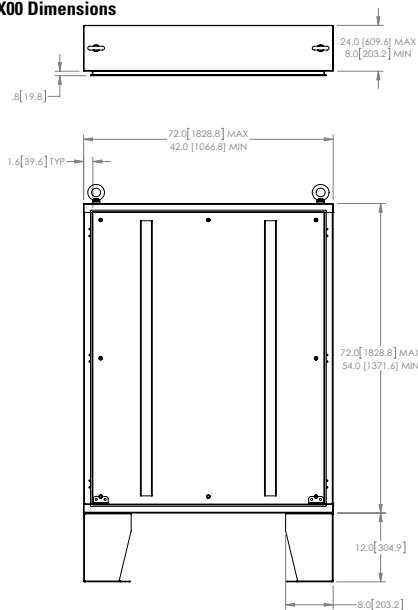
**P/N A04-HHWWDD-X00**



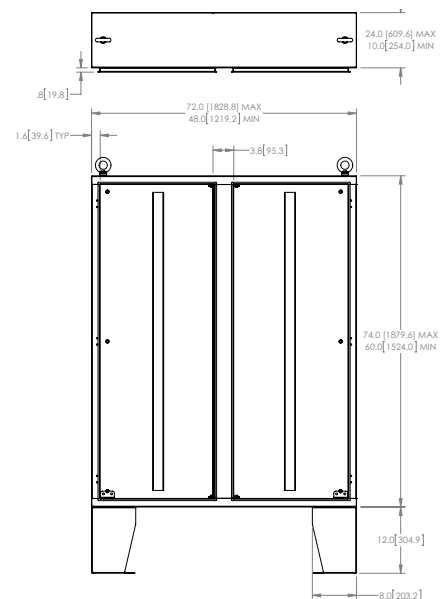
**P/N A05-HHWWDD-X00**



**P/N A04-HHWWDD-X00 Dimensions**



**P/N A05-HHWWDD-X00 Dimensions**



**ORDERING INFORMATION**

AXX-HHWWDD-X00

1. First set of digits represents cabinet type: NEMA Type, mounting style, number of doors
2. Second set of digits represents dimensions: height, width and depth in inches
3. Third set of digits represents the enclosure's options: color, latch style, door style, accessories, etc.
4. For simplified ordering and full range of sizes and configurations, go to the CPI Product Designer at [www.chatsworth.com/product-designer](http://www.chatsworth.com/product-designer).

**RMR Floor-Mount Enclosure, Type 12, with Floor Stand and Solid Double Door**

NEMA Type 12 enclosure is for indoor use; protects against dirt and dripping and light splash of noncorrosive liquid.

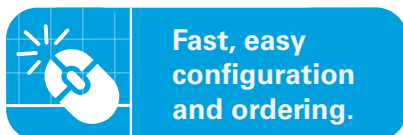
- Designed for NEMA Type 12 applications. Also meets NEMA Type 1, 2, 5 and 3R with drain hole and drip shield (hole must be between 1/8" to 1/4" (3 mm - 6 mm))
- Overlapping solid double door with 3-point latch mechanism provides easy access for control plate installation
- Latch style: 3-point mechanism with heavy-duty padlock swinghandle
- 3 lock styles: keyed CH751, double bit and square
- Min and max height: 54"H - 72"H (1372 mm - 1829 mm)
- Min and max widths: 42"W - 72"W (1067 mm - 1829 mm)
- Min and max depths: 8"D - 24"D (203 mm - 610 mm)
- Removable floor stands
- 3 colors available: Gray ANSI 61, Hammer Gray RAL7035 and Black



Part Number	Enclosure Height in (mm)	Enclosure Width in (mm)	Enclosure Depth in (mm)	Matching Mounting Plate	Matching Drip Shield Assembly
A04-544208-X00	54 (1370)	42 (1070)	08 (203)	DF0001-544200-X01	DF0018-004200-X01
A04-604810-X00	60 (1520)	48 (1220)	10 (250)	DF0002-604800-X01	DF0018-004800-X01
A04-726010-X00	72 (1830)	60 (1520)	10 (250)	DF0002-726000-X01	DF0019-006000-X01
A04-727210-X00	72 (1830)	72 (1830)	10 (250)	DF0002-727200-X01	DF0020-007200-X01
A04-604812-X00	60 (1520)	48 (1220)	12 (300)	DF0002-604800-X01	DF0018-004800-X01
A04-726012-X00	72 (1830)	60 (1520)	12 (300)	DF0002-726000-X01	DF0019-006000-X01
A04-727212-X00	72 (1830)	72 (1830)	12 (300)	DF0002-727200-X01	DF0020-007200-X01
A04-606016-X00	60 (1520)	60 (1520)	16 (410)	DF0002-606000-X01	DF0019-006000-X01
A04-726016-X00	72 (1830)	60 (1520)	16 (410)	DF0002-726000-X01	DF0019-006000-X01
A04-604820-X00	60 (1520)	48 (1220)	20 (510)	DF0002-604800-X01	DF0018-004800-X01
A04-726020-X00	72 (1830)	60 (1520)	20 (510)	DF0002-726000-X01	DF0019-006000-X01
A04-604824-X00	60 (1520)	48 (1220)	24 (610)	DF0002-604800-X01	DF0018-004800-X01
A04-727224-X00	72 (1830)	72 (1830)	24 (610)	DF0002-727200-X01	DF0020-007200-X01

Note: X = color: (-C00) for Black, (-G00) for Hammer Gray RAL 7035, (-H00) for Gray ANSI 61. Size in inches. Other sizes and lock styles available. 8"D and 9"D are restricted up to 60"H and 48"W. All heights and widths are available for 10"D and deeper enclosures. Mounting plate (ordered separately) is 4" smaller than height and width of cabinet. Plate mounts centered on the cabinet.

**Additional Sizes Available Online**



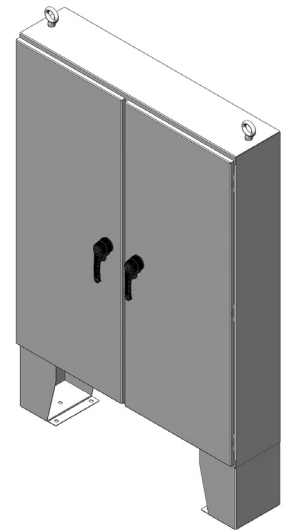
CPI Product Designer creates unique industrial enclosures quickly and easily by allowing you to select the size, features and accessories needed for a specific application. Access this tool at [www.chatsworth.com/product-designer](http://www.chatsworth.com/product-designer).

ORDERING INFORMATION

**RMR Floor-Mount Enclosure, Type 4, with Floor Stand and Solid Double Door**

NEMA Type 4, for outdoor use, protects against dirt, rain, sleet, snow, splash and hose down with noncorrosive liquid. Removable center beam provides convenient installation of mounting plate.

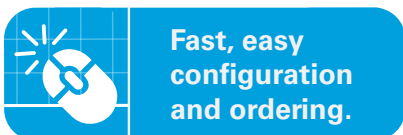
- Designed for NEMA Type 4 applications. Also meets NEMA Type 1, 2, 3, 5; and 3R with drain hole (hole must be between 1/8" to 1/4" (3 mm - 6 mm))
- Removable center beam
- 3 lock styles: keyed CH751, double bit and square
- Latch styles: 3-point mechanism with heavy-duty padlock swinghandle. Auxiliary ¼-turn latches are added on top and bottom of enclosures that are 31"W (787 mm) or wider
- Min and max height: 60"H - 74"H (1524 mm - 1880 mm)
- Min and max widths: 48"W - 72"W (1219 mm - 1829 mm)
- Min and max depths: 10"D - 24"D (254 mm - 610 mm)
- Removable floor stands
- Outdoor-rated paint
- 3 colors available: Gray ANSI 61, Hammer Gray RAL7035 and Black



Part Number	Enclosure Height in (mm)	Enclosure Width in (mm)	Enclosure Depth in (mm)	Matching Mounting Plate	Matching Drip Shield Assembly
A05-624810-X00	62 (1570)	48 (1220)	10 (250)	DF0002-624800-X01	DF0018-004800-X01
A05-626012-X00	62 (1570)	60 (1520)	12 (300)	DF0002-626000-X01	DF0019-006000-X01
A05-746012-X00	74 (1880)	60 (1520)	12 (300)	DF0002-746000-X01	DF0019-006000-X01
A05-747212-X00	74 (1880)	72 (1830)	12 (300)	DF0002-747200-X01	DF0020-007200-X01
A05-624818-X00	62 (1570)	48 (1220)	18 (460)	DF0002-624800-X01	DF0018-004800-X01
A05-626018-X00	62 (1570)	60 (1520)	18 (460)	DF0002-626000-X01	DF0019-006000-X01
A05-746018-X00	74 (1880)	60 (1520)	18 (460)	DF0002-746000-X01	DF0019-006000-X01
A05-747218-X00	74 (1880)	72 (1830)	18 (460)	DF0002-747200-X01	DF0020-007200-X01
A05-747224-X00	74 (1880)	72 (1830)	24 (610)	DF0002-747200-X01	DF0020-007200-X01

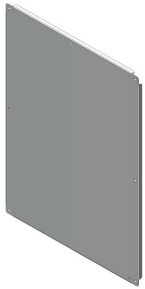
Note: X = color: (-C00) for Black, (-G00) for Hammer Gray RAL 7035, (-H00) for Gray ANSI 61. Mounting plate (ordered separately) is 4" smaller than height and width of cabinet. Plate mounts centered on the cabinet. 1/4-turn latches are added to the top/bottom of enclosures that are greater than 30"W.

Additional Sizes Available Online



CPI Product Designer creates unique industrial enclosures quickly and easily by allowing you to select the size, features and accessories needed for a specific application. Access this tool at [www.chatsworth.com/product-designer](http://www.chatsworth.com/product-designer).

GENERAL ACCESSORIES



**Solid Mounting Plates**

Solid Mounting Plates are solid metal panels that are installed at the rear of the enclosure frame. A variety of network, automation and control equipment devices can be installed onto the mounting plate for flexible support configurations.

Refer to enclosure ordering tables for sampling of mounting plate part numbers. Go to CPI Product Designer for other enclosure and mounting plate sizes.



**RMR Enclosure Grounding and Bonding Kit**

The RMR Enclosure Grounding and Bonding Kit adds additional bonding capacity to the enclosure or to bond the optional mounting plate to the enclosure.

- Includes jumpers and hardware
- Compatible with RMR Floor-Mount, RMR Free-Standing and RMR Standard Wall-Mount Enclosures

Part Number	Shipping Weight lb (kg)
DF0023-000000-001	0.5 (0.2)



**RMR Enclosure Threaded Drain Plug Kit**

The RMR Enclosure Threaded Drain Plug Kit allows accumulated or condensed water to drain out the bottom of the enclosure. The drain plugs vent air out of the enclosures, helping to equalize air pressure. Install drains at the bottom of the enclosures.

- Kit includes vent drain and retaining nut
- Compatible with all RMR Enclosures

Part Number	Shipping Weight lb (kg)
DF0025-000000-001	1 (0.5)

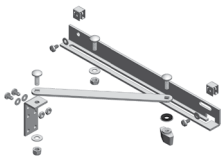


**RMR Enclosure XL Polyvent Protective Vent Kit**

The RMR Enclosure XL Polyvent Protective Vent Kit provides ventilation and equalizes air pressure in the event of drastic temperature changes. Pressure equalization is essential to protect the enclosure seal from damage. Installation hardware included.

- Kit includes vent and retaining nut
- Compatible with RMR Modular, RMR Swing-Out, RMR Fixed Wall-Mount, RMR Standard Wall-Mount, RMR Floor-Mount and RMR Free-Standing Enclosures

Part Number	Shipping Weight lb (kg)
DF0028-000000-001	0.5 (0.2)



**RMR Enclosure Door Stop Kit**

The RMR® Enclosure Door Stop Kit secures the door of the enclosure in the open position. It can be mounted on either left- or right-hinged doors. Includes mounting hardware.

- Kit includes door stop and mounting hardware
- Compatible with RMR Floor-Mount, RMR Free-Standing and RMR Standard Wall-Mount Enclosures

Part Number	Shipping Weight lb (kg)
DF0022-000000-001	4 (2.2)



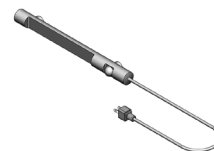
DF0030-000000-001

**LED Light Kit**

The LED Light Kit provides additional lighting inside the enclosure.

- 2 types available: On-off switch or motion sensor
- Voltage: 100 - 240 V, 50/60 Hz
- NEMA 1-15P power cord

Part Number	Description	Shipping Weight lb (kg)
DF0030-000000-001	On-off Switch	0.5 (0.2)
DF0031-000000-001	Motion Sensor	0.5 (0.2)



DF0031-000000-001



**RMR Enclosure Drip Shield Assembly**

Required to meet NEMA Type 3R when using a NEMA Type 12 enclosure. It is used to provide additional protection against ice and rain.

Refer to enclosure ordering tables for sampling of Drip Shield Assembly part numbers. Go to CPI Product Designer to configure an RMR Enclosure with Drip Shield Assembly.



The Product Designer guides you through the steps and selections necessary to create an enclosure that meets your unique size requirements and thermal and cable management needs. You will get bills of material (BOM), drawings and sales documents automatically.

Go to [www.chatsworth.com/product-designer](http://www.chatsworth.com/product-designer) to select your RMR Industrial Enclosure.

Interested in learning more about our RMR Industrial Enclosures? Call us at 800-834-4969, or email Technical Support at [techsupport@chatsworth.com](mailto:techsupport@chatsworth.com).