

Installation Instructions

RMR M18 EYEBOLT LIFTING

Safety Information



WARNING: Improper use of this product or failure to follow these instructions may result in equipment damage, personal injury, or death. Read and understand all instructions for proper installation.



WARNING: Do not attempt to move large cabinets by yourself. Hire professional equipment riggers for lifting cabinet using Eyebolts.



WARNING: To avoid equipment damage, personal injury or death, follow rigging practices established in the latest revisions of ASME B18.15 (Forged Eyebolts) and ASME B30.26 (Rigging Hardware).



WARNING: Load may slip or fall if proper eye bolt assembly and lifting procedures are not used.



WARNING: A falling load can seriously injure or kill.



WARNING: Shoulder Eyebolts must be firmly seated and flush against the mating surface; otherwise, the rated capacity is reduced significantly.



WARNING: Angular lifting should be avoided. Angular lifts significantly reduce rated capacities.



WARNING: Inspect each Eyebolt BEFORE each use for possible defects such as: distortion, bent shank/threads, or incomplete/incorrectly formed threads.



WARNING: Destroy Eyebolts when signs of bend, elongation, wear or damage are visible.



WARNING: DO NOT work, stand or crawl around the load of the Eyebolt. Ensure a safe distance from the load.



WARNING: DO NOT use a single EYEBOLT to lift a load.



WARNING: DO NOT force hooks or any other fittings into the eye; they must fit freely.



WARNING: WARNING: DO NOT exceed the Rated Capacity.



WARNING: DO NOT SHOCK LOAD EYEBOLTS. Gradually increase lifting of the load to minimize load-shock.



WARNING: DO NOT weld Eyebolts, or perform any weld-repair on Eyebolts.



WARNING: DO NOT machine Eyebolts on the shank or shoulder to achieve proper seating.



WARNING: DO NOT expose Eyebolts to extreme environmental conditions, as they may adversely affect the Rated Capacity.



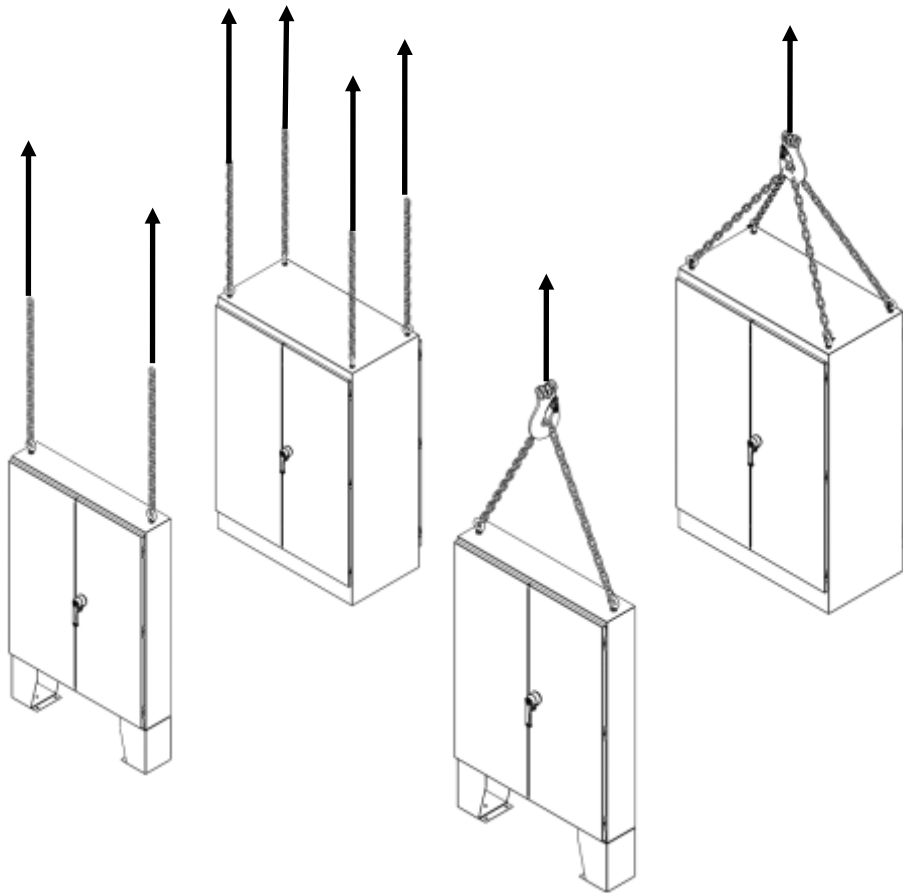
IIS-738093, 03/22/17, Rev. 1, CPI/PEH
800-834-4969 (USA & Canada) • www.chatsworth.com • techsupport@chatsworth.com
For international phone numbers, see our website or contact CPI Tech Support.

This drawing contains proprietary and confidential information and is protected by U.S. and international law. Unauthorized reproduction, disclosure or use of the drawing or the information therein is expressly forbidden except as agreed to in writing by Chatsworth Products, Inc.

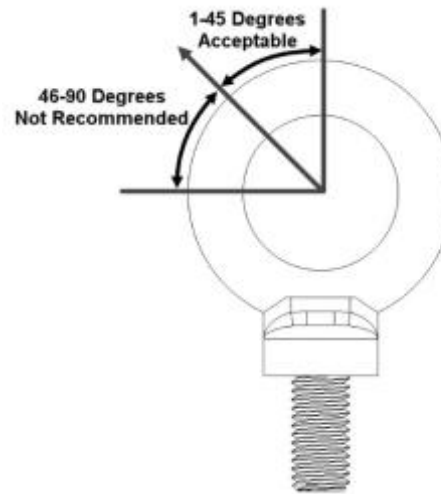
Installation Instructions

RMR M18 EYEBOLT LIFTING

Acceptable enclosure transporting methods using supplied Eyebolts with appropriately rated shackles, hooks, slings, chains, etc. to support total weight of enclosure and installed equipment.

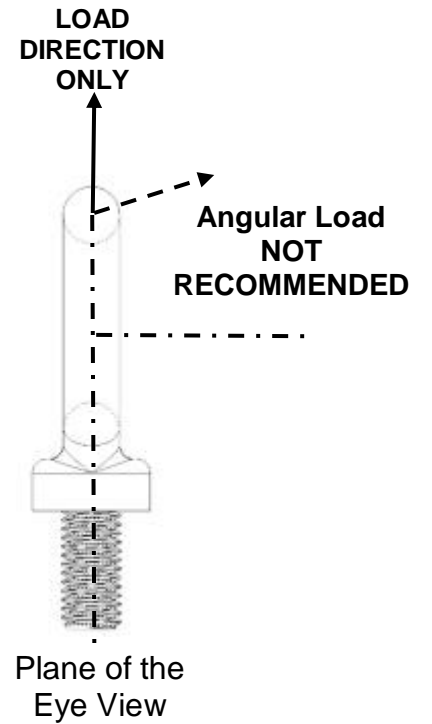


0° (Vertical)
Recommended



Front View

0° (Vertical)
Recommended



Plane of the Eye View

Eyebolt Rated Capacity
(Each Eyebolt)

0°	30°	45°
4708lbs	2820lbs	1175lbs