

Installation Instructions

MOUNTING PLATE FOR FLOOR-MOUNT AND WALL-MOUNT ENCLOSURES

Safety Information



WARNING: Improper use of this product may lead to serious injury. Read and understand all instructions for proper installation and use of this product.

Tools Required

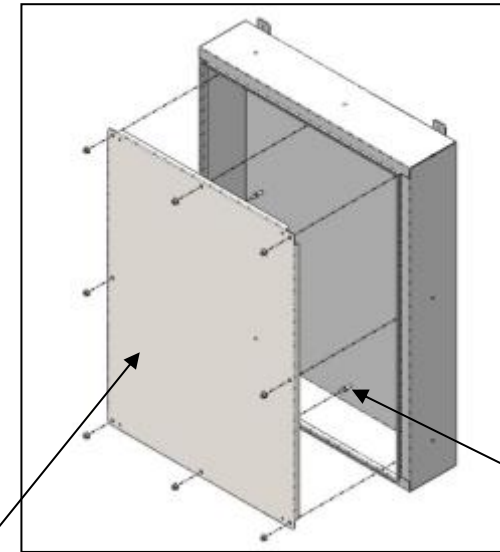
Wrench

Included Hardware

None – See M10 hex washer head nuts shipped with enclosure

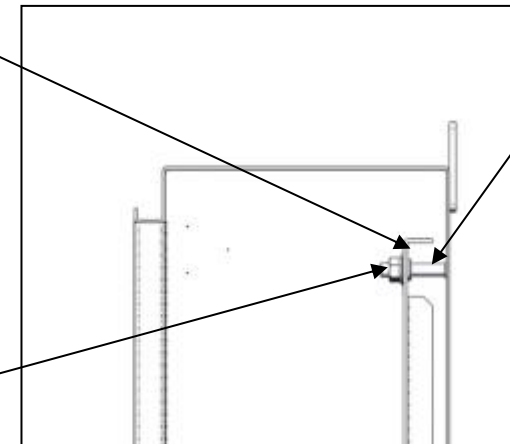
Assembly Sequence

1. Align mounting plate with M10 weld studs on enclosure. Push toward rear of enclosure until plate rests on shoulders of weld studs.
2. Attach using M10 hex washer head nuts.
3. Install grounding wire to desired hole in mounting plate (optional).



Sub Panel

M10 Weld Stud



M10 Hex
Washer
Head Nut



IIS-738082, 02/02/2017, Rev. 1, CPI/BMO

800-834-4969 (USA & Canada) • www.chatsworth.com • techsupport@chatsworth.com

For international phone numbers, see our website or contact CPI Tech Support.

This drawing contains proprietary and confidential information and is protected by U.S. and international law. Unauthorized reproduction, disclosure or use of the drawing or the information therein is expressly forbidden except as agreed to in writing by Chatsworth Products, Inc.

Installation Instructions

MOUNTING PLATE FOR FREE-STANDING ENCLOSURES

Safety Information



WARNING: Improper use of this product may lead to serious injury. Read and understand all instructions for proper installation and use of this product.

Tools Required

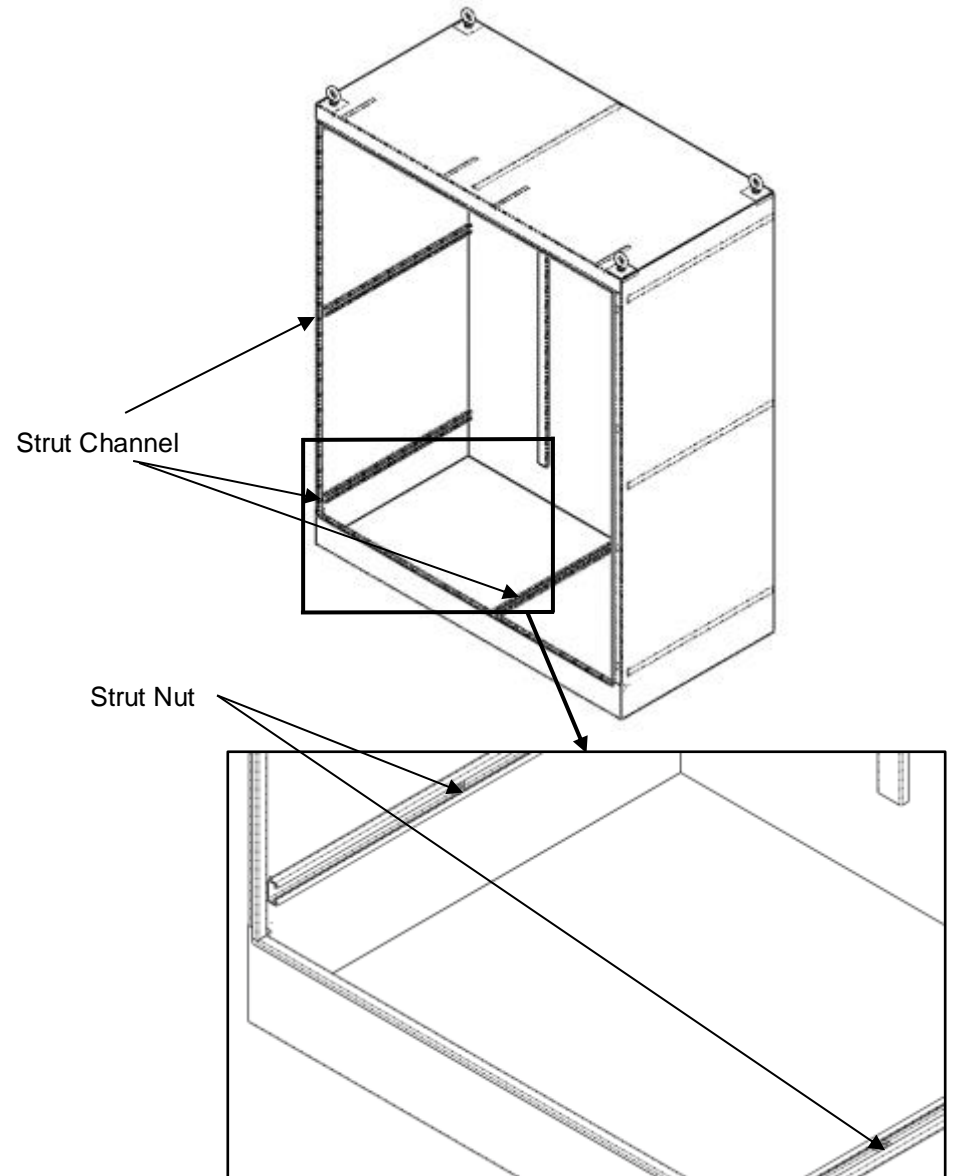
Wrench

Included Hardware (Quantities vary based on panel size)

M8 strut nuts
M8x20 hex head serrated flange bolts
M10x50 carriage bolts
16X10.2X30mm standoffs
10x20 hex head serrated flange nuts
Channel L brackets

Assembly Sequence – Option 1

1. Install strut nuts into each 1-5/8 X 7/8 strut channel (maximum of 8; top and bottom channels may not exist due to enclosure size).



Installation Instructions

MOUNTING PLATE FOR FREE-STANDING ENCLOSURES

2. Attach L brackets in orientation shown using M8x20 hex head serrated flange bolts to strut nuts. Measure from rear of enclosure to front face of L bracket and place in desired location. Do not fully tighten nuts until L brackets are all equal distance from the rear of the enclosure.
Note: If bottom center strut channel exists, use long L bracket (as shown) for this channel.
3. Attach mounting plate by inserting M10 carriage bolt through back side of L bracket. Install standoff on carriage bolt in front of L bracket. Install mounting plate in front of standoff. Tighten M10 nut onto carriage bolt in front of mounting plate as shown.
4. Install grounding wire to desired hole in mounting plate (optional).

Assembly Sequence – Option 2

1. Install strut nuts into each 1-5/8 X 7/8 strut channel (maximum of 8; top and bottom channels may not exist due to enclosure size).
2. Attach brackets to sub panel using M10 carriage bolts, standoffs and M10 nuts. Brackets are used in the same locations as previously described.
3. Slide mounting plate into enclosure, inserting one side first, allowing tabs on brackets to catch the inside of the strut channel for support.
4. Install M8X20 bolts to anchor brackets to the strut nuts previously installed.

