

Installation Instructions

RMR ENCLOSURE PROTECTIVE VENT KIT

Safety Information



WARNING: Improper use of this product or failure to follow these instructions may result in equipment damage, personal injury, or death. Read and understand all instructions for proper installation and use of this product.

Intended Use

The Protective Vent Kit is intended for installation on enclosures in order to provide protection from pressure changes due to sudden temperature swings.

Tools Required

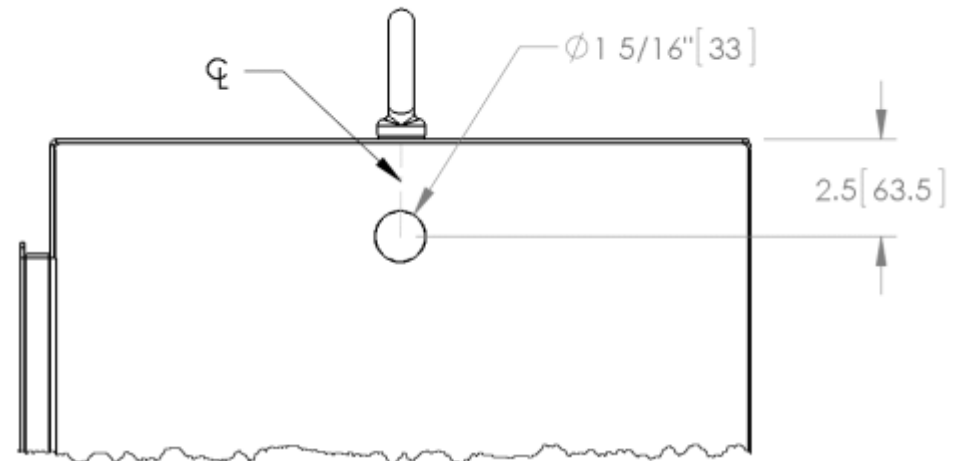
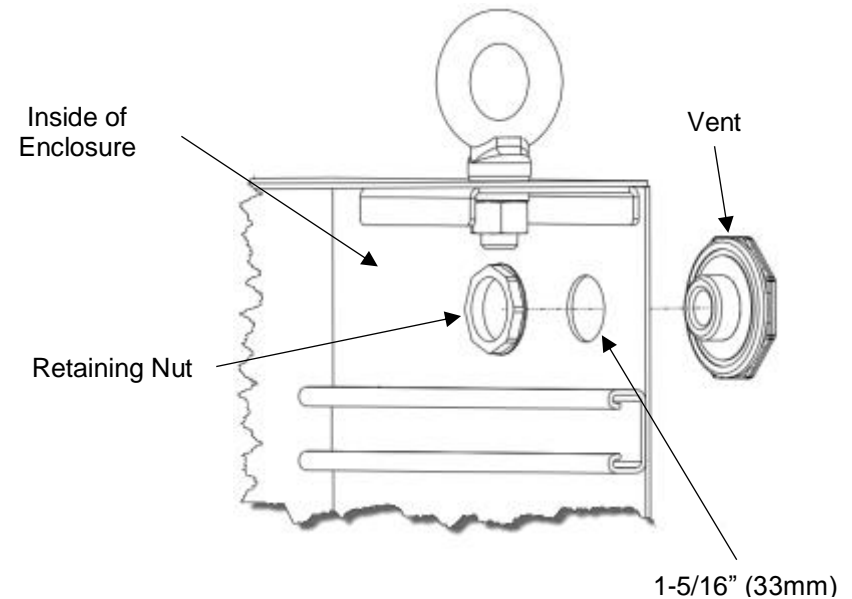
Drill
1-5/16" (33mm) drill bit
41mm Wrench

Included Hardware

Vent
Retaining Nut

Assembly Sequence

1. Mark hole location on side of enclosure, centered front-to-back and offset 2.5" from top, as shown at right.
2. Drill hole through enclosure. Remove burrs and debris from around hole.
3. Insert threaded body of vent through hole (with vent on outside of enclosure) and install retaining nut (on inside of enclosure).
4. Use wrench to tighten nut and create full seal. Do not overtighten.



IIS-738084, 03/24/2017, Rev. 1, CPI/PEH
800-834-4969 (USA & Canada) • www.chatsworth.com • techsupport@chatsworth.com
For international phone numbers, see our website or contact CPI Tech Support.

This drawing contains proprietary and confidential information and is protected by U.S. and international law. Unauthorized reproduction, disclosure or use of the drawing or the information therein is expressly forbidden except as agreed to in writing by Chatsworth Products, Inc.