

# Installation Instructions

## RMR FREE-STANDING ENCLOSURES (P/Ns A06/A07/A08/A09/A10 and Equivalent)

### Safety Information



**WARNING:** Improper use of this product or failure to follow these instructions may result in equipment damage, personal injury, or death. Read and understand all instructions for proper installation and use of this product.



**WARNING:** Before loading equipment in the cabinet, be sure all parts and hardware are properly installed and tightened.

### Intended Use

RMR Free-Standing Enclosures are intended for either outdoor or indoor applications, depending on the enclosure style – see right. Use RMR Free-Standing Enclosures for information technology and telecommunications equipment, systems control automation electronics and/or instrumentation. Allow only qualified service personnel to use these RMR Free-Standing Enclosures.

Accessories used on RMR Free-Standing Enclosures must have an equivalent NEMA environmental rating as the cabinet on which they are used.

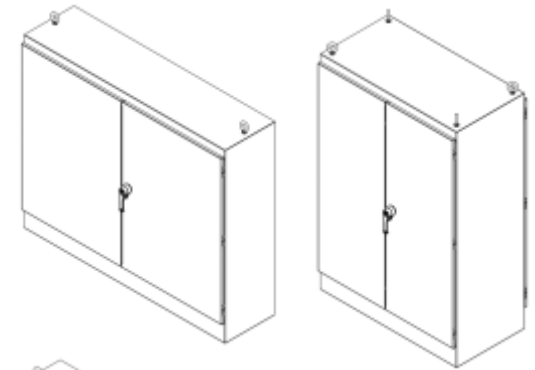
Outdoor rated enclosures (A08, A09, A10) require addition of 1/8" drain hole (add Drain Kit for ideal solution) in bottom of enclosure for Type 2 and 3R applications.

Indoor rated enclosures (A06, A07) require addition of 1/8" drain hole (add Drain Kit for ideal solution) in bottom of enclosure for Type 2 applications, and addition of drain and Drip Shield for Type 3R applications.

### Door Bonding

### A06 and A07 Enclosures –

Indoor Rated for NEMA Types  
1, 5, and 12 and IP-55



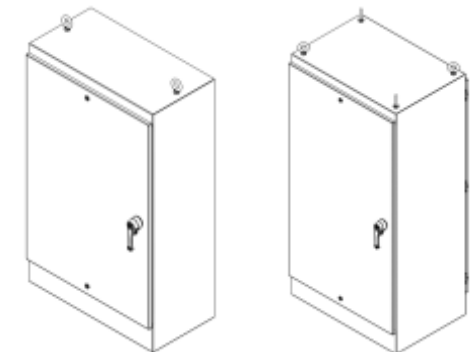
### A08 Enclosures –

Outdoor Rated for NEMA Types  
1, 3, 4, 5, and 12 and IP-66



### A09 and A10 Enclosures –

Outdoor Rated for NEMA Types  
1, 3, 4, 5, and 12 and IP-66



CHATSWORTH PRODUCTS

IIS-738067, 03/20/2017, Rev. 1, CPI/PEH

800-834-4969 (USA & Canada) • [www.chatsworth.com](http://www.chatsworth.com) • [techsupport@chatsworth.com](mailto:techsupport@chatsworth.com)

For international phone numbers, see our website or contact CPI Tech Support.

*This drawing contains proprietary and confidential information and is protected by U.S. and international law. Unauthorized reproduction, disclosure or use of the drawing or the information therein is expressly forbidden except as agreed to in writing by Chatsworth Products, Inc.*

# Installation Instructions

## RMR FREE-STANDING ENCLOSURES (P/Ns A06/A07/A08/A09/A10 and Equivalent)

### Tools Required

10mm Socket Driver

### Included Hardware for Each Door

(1) Quick Disconnect Grounding Wire Assembly

(2) M6 Nylon Lock Nut

### Assembly Sequence – Door Bonding

1. Using M6 nuts, attach one end of Grounding Wire to grounding stud on bottom hinge-side corner of door and other side to grounding stud in corner of Enclosure. Tighten to 88 in-lb (9.9 N-m).

Grounding Wire  
Assembly (shown in  
separate parts)

M6 Nylon Lock Nut

