

# Installation Instructions

## RMR ENCLOSURE DOOR STOP KIT

### Safety Information



**WARNING:** Improper use of this product or failure to follow these instructions may result in equipment damage, personal injury, or death. Read and understand all instructions for proper installation and use of this product.

### Intended Use

The RMR Enclosure Door Stop Kit is intended for use in improving accessibility of an enclosure by allowing the door to be held open during equipment installation or maintenance.

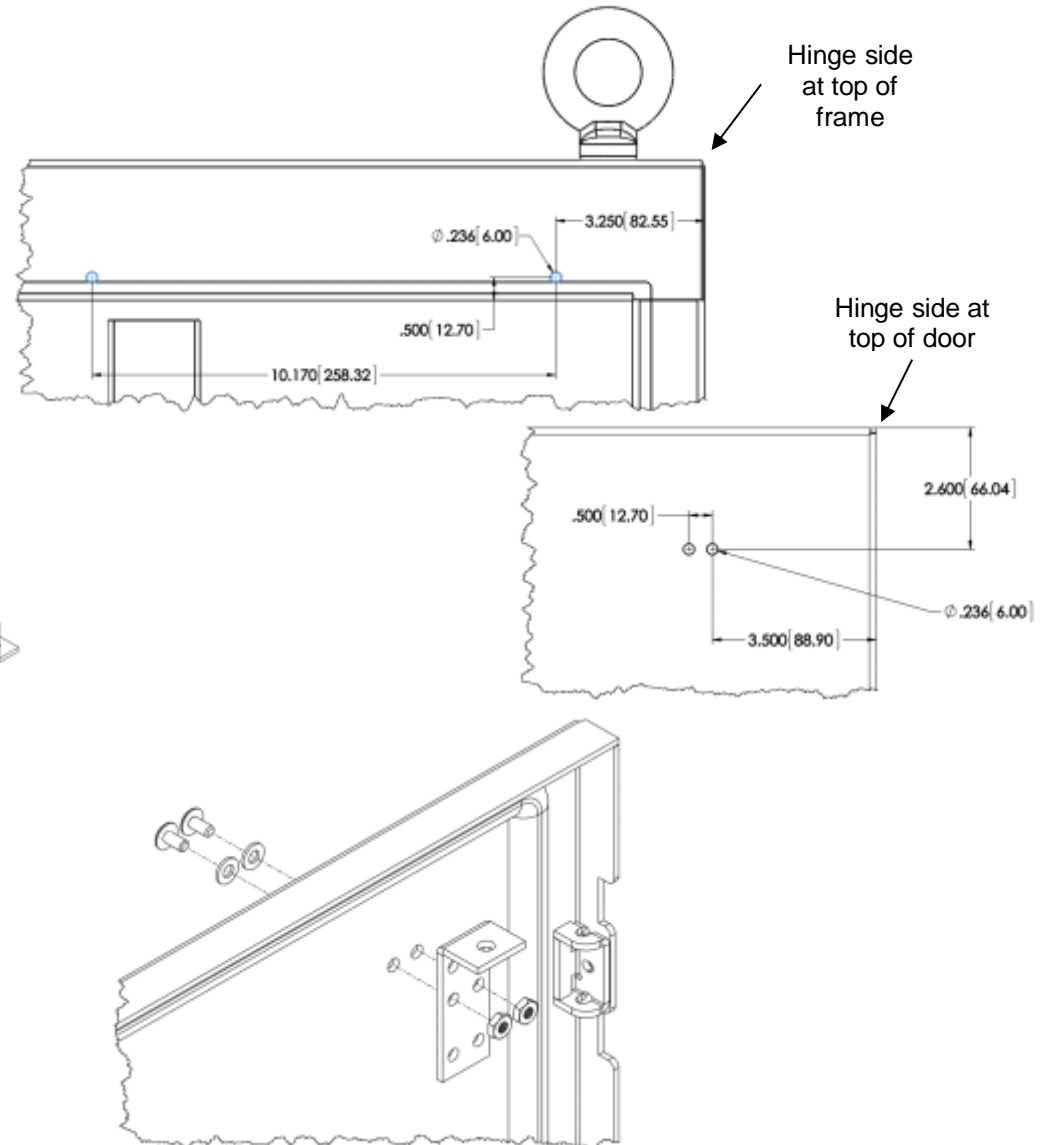
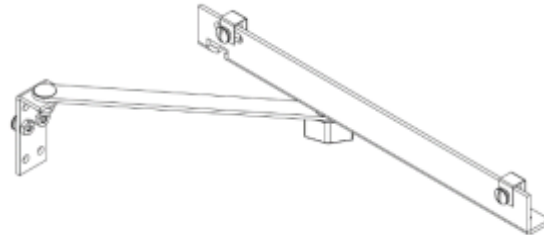
Please note the Door Stop Kit is not intended for doors with windows, or enclosures less than 16" wide.

### Hardware Included

Door Bracket – 1 ea.  
Mounting Bracket – 1 ea.  
Stop Arm – 1 ea.  
Wing Knob – 1 ea.  
1/4" Lock nut – 1 ea.  
1/4" Steel Washer – 2 ea.  
1/4" Hex Nut – 1 ea.  
#10 Nylon Sealing Washers – 4 ea.  
10-32 Hex Nut – 2 ea.  
10-32 Screw – 4 ea.  
1/4" Carriage Bolt – 3 ea.  
Clip Nut – 2 ea.  
Stop Washer – 1 ea.

### Tools Required

Drill  
15/64" (6mm) drill bit  
Flat-head screwdriver  
Wrench or socket driver



IIS-738087, 03/23/2017, Rev. 1, CPI/PEH

800-834-4969 (USA & Canada) • [www.chatsworth.com](http://www.chatsworth.com) • [techsupport@chatsworth.com](mailto:techsupport@chatsworth.com)

For international phone numbers, see our website or contact CPI Tech Support.

*This drawing contains proprietary and confidential information and is protected by U.S. and international law. Unauthorized reproduction, disclosure or use of the drawing or the information therein is expressly forbidden except as agreed to in writing by Chatsworth Products, Inc.*

# Installation Instructions

## RMR ENCLOSURE DOOR STOP KIT

### Assembly Sequence – Door Bracket on Frame

1. Drill holes on the enclosure frame and door in locations shown.
2. Attach door bracket, with 10-32 screws and sealing washers on outside of door and flange facing top of door.

### Assembly Sequence – Door Mounting Bracket

1. Attach clip nuts to hole and slot on upper flange of mounting bracket.
2. Attach mounting bracket to frame, with 10-32 screws and sealing washers on the outside of the door.

### Assembly Sequence – Final Assembly

1. Connect the door Mounting Bracket and door bracket by attaching the stop arm to each part with 1/4" carriage bolts, using a hex nut on the door bracket and the wing knob on the mounting bracket. Install stop washer with rubber gripping surface as shown, with rubber face against mounting bracket.
2. (Optional) Install remaining M6 carriage bolt, hex nut and steel washer in Mounting Bracket channel at desired location to act as a stop.

