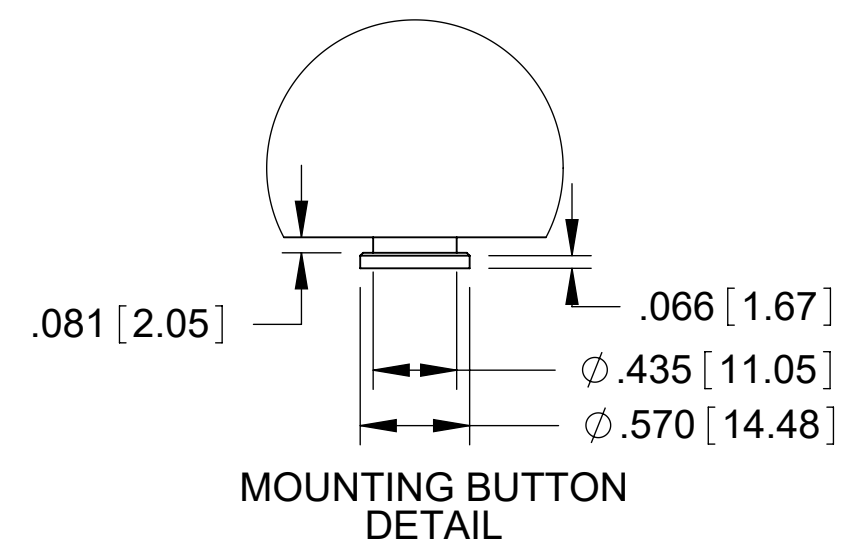
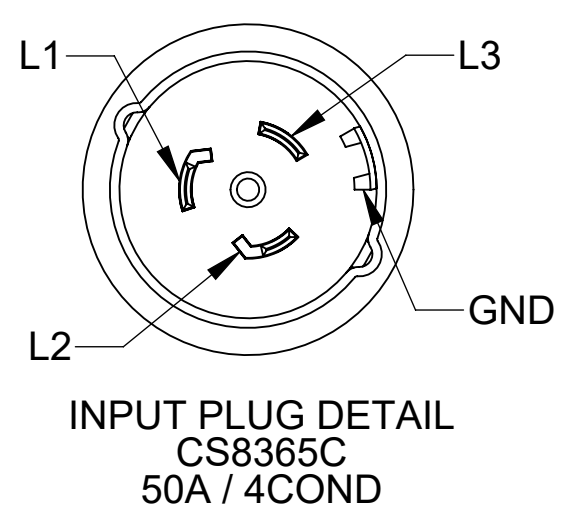
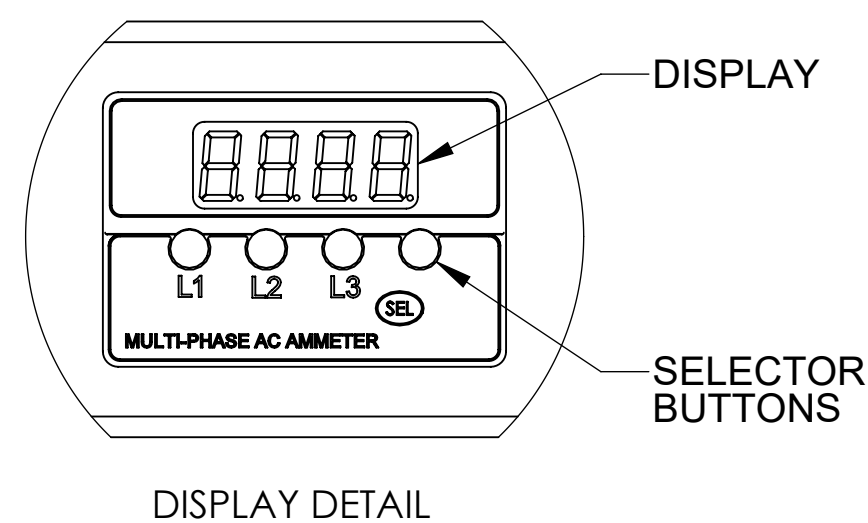
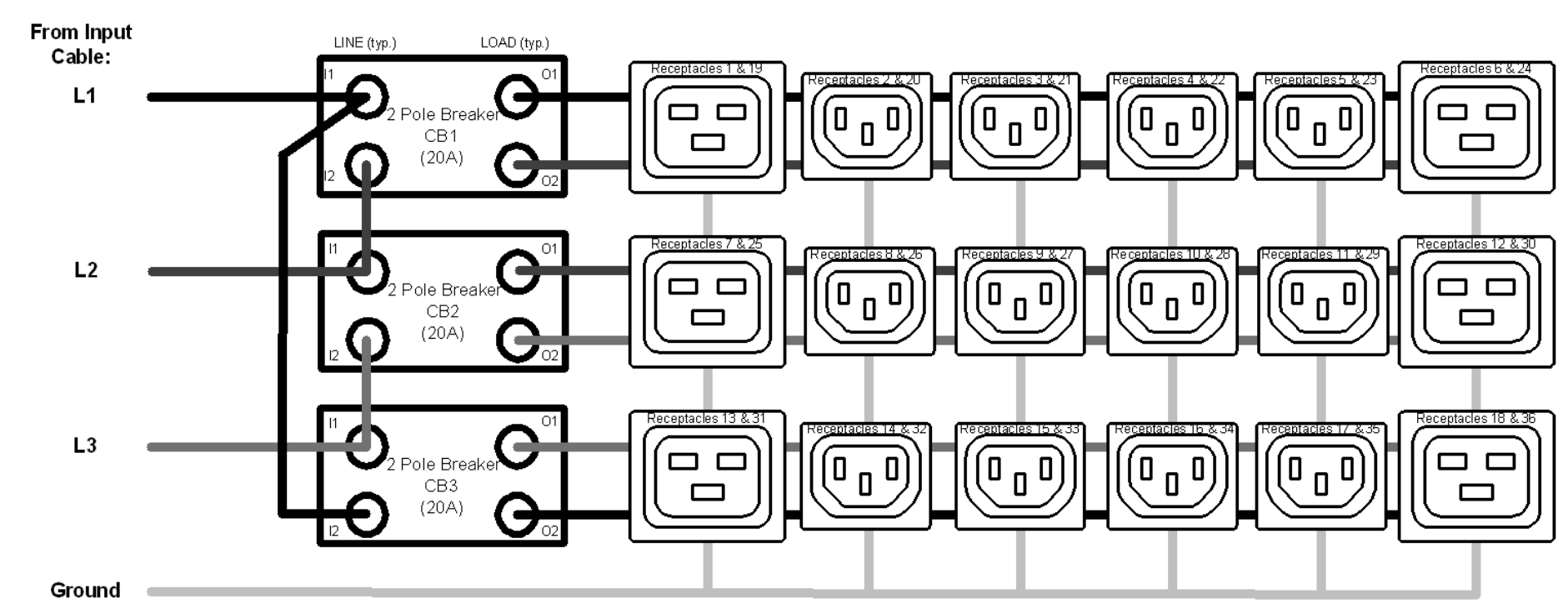


Technical Specs:	
<b>Input Ratings</b>	
Nominal Voltage (VAC)	208VAC, Three Phase, 50/60 Hz
Input Plug / Cord	CS8365C, 10 ft (3m)
Current Rating	50A derated to 27.7A (NA)
Power Rating (kW)	9.9
<b>Output Ratings</b>	
Nominal Voltage (VAC)	208VAC, 50/60 Hz
Current Rating	27.7A per Phase
Outlet Rating	C13: 12A max, C19: 16A max
Max Current per Breaker	16A Max
Outlet Combination	
Load Segment	CB1,CB2,CB3: (8) C-13, (4) C19
PDU Total	(24) C13, (12) C19
Branch Circuit Protection	(3) 2-pole 20A UL489 Breakers
Surge Suppression	None
<b>Features:</b>	
Local Display	(1) 4 digit LED Display- Input Current Meter
Cord Retention	Locking receptacles
Mounting System	Multiple tool-less mounting button locations, A and B (see detail)
<b>Dimensions &amp; Weights:</b>	
Width (In[mm])	2.2 [55]
Height (In[mm])	70.5 [1791]
Depth (In[mm])	2.2 [55]
Weight (lbs[kg])	18 [8.2]
<b>Regulatory Information:</b>	
UL & cUL Listed, IEC 60950-1, CSA C22.2, CE, RoHS, FCC Part 15 Class A, EN 55022	
<b>Environmental Conditions:</b>	
Operating Temperature	32 - 149F (0 - 65C)
Operating Rel Humidity	5 - 95%
Operating Elevation	0-10000 ft (0-3000 m)
Storage Temperature	-13 - 149F (-25 - 65C)
Storage Rel Humidity	5 - 95%
Storage Elevation	0-50000ft (0-15000 m)
<b>Hardware Included:</b>	
(2) tool less mounting buttons (1) ground kit cable	



SIMPLIFIED WIRING SCHEMATIC



- Notes:
- 1 All Dimension are in inches [millimeters] unless otherwise specified
  - 2 Installation must conform with all related national and local codes
  - 3 All Bracket kits are sold separately. Toolless mounting buttons are included for installation in CPI cabinets.
  - 4 For more information, please contact Tech Support at [techsupport@chatsworth.com](mailto:techsupport@chatsworth.com)

©2017 Chatsworth Products, Inc. All rights reserved.



All products quoted are subject to availability based on manufacturing capacity and shipping dates should be considered estimates only.

eConnect Vertical (0U) PDU, Metered, CS8365C Plug, Three Phase Delta, 208V Input, 50A, (24) C13 (12) C19 Outlets, 208V Output

While every effort has been made to ensure the accuracy of all information, CPI does not accept liability for any errors or omissions and reserves the right to change information and descriptions of listed services and products.

THIRD ANGLE	<b>L2-1T0F3</b>	ISS
	SHEET 1 OF 1	<b>1</b>