

# Installation Instructions

## KIT, DUAL FAN, CUBE-IT

### Safety Information



**WARNING:** Improper use of this product or failure to follow these instructions may result in equipment damage, personal injury, or death. Read and understand all instructions for proper installation and use of this product.



**WARNING:** Disconnect electrical power before working on or installing fan assemblies.



**WARNING:** Never work alone when potentially hazardous conditions exist and never install damaged equipment.



**WARNING:** Hazardous moving parts. Keep away from rotating fan blades.

### Intended Use

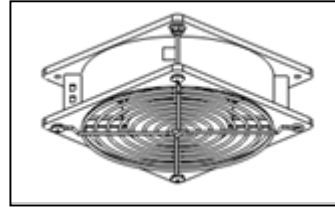
The Dual Fan Kit is designed to provide cooling to the equipment installed in CPI's CUBE-iT Cabinet by drawing pre-filtered air into the cabinet. Drawing air into the cabinet slightly pressurizes the cabinet and provides additional protection from dust and debris. The dual fans can be installed in any of the four vent patterns. Filters can easily be changed without any need to access the inside of the cabinet.

### Tools Required

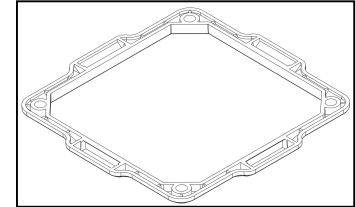
Phillips #2 Screwdriver

### Included Parts and Hardware

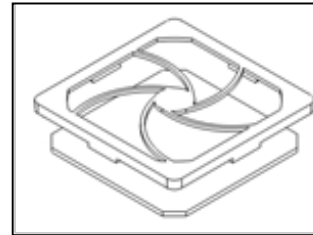
2 – Cooling Fans with Wire Grills



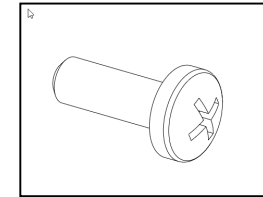
2 – Mounting Plates



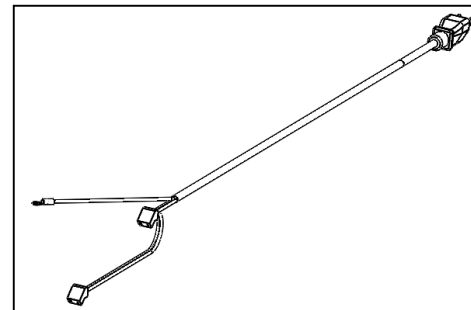
2 – Filters and Plastic Retainers



1 – M4 Ground Screw



1 – Power Cord (Plug style may vary)



8 – M5 Pan Head Screws



IIS-740975, 01/19/18, Rev. 1, CPI/SJG  
800-834-4969 (USA & Canada) • [www.chatsworth.com](http://www.chatsworth.com) • [techsupport@chatsworth.com](mailto:techsupport@chatsworth.com)  
For international phone numbers, see our website or contact CPI Tech Support.

*This drawing contains proprietary and confidential information and is protected by U.S. and international law. Unauthorized reproduction, disclosure or use of the drawing or the information therein is expressly forbidden except as agreed to in writing by Chatsworth Products, Inc.*

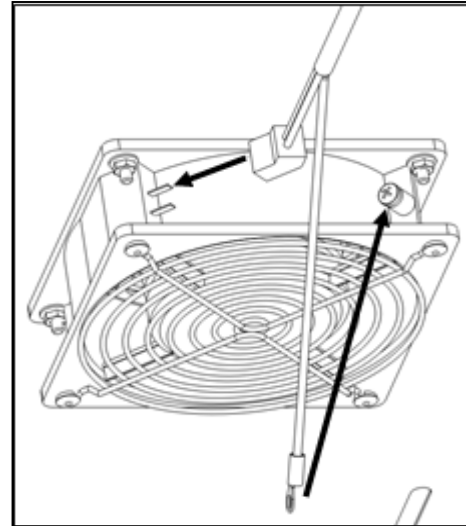
# Installation Instructions

## KIT, DUAL FAN, CUBE-IT

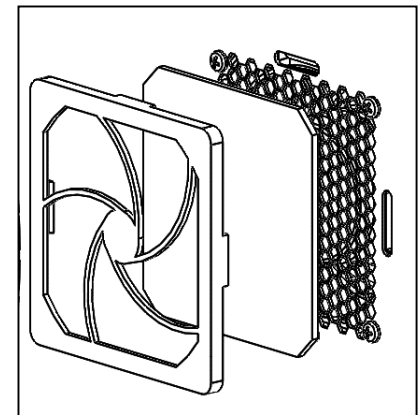
### Assembly Sequence

1. Attach Power Cord connector and green ground wire to one of the two fans. Use supplied M4 screw to secure green ground wire loop to the fan body. Connect power cord extension to second fan.
2. It is recommended to mount both fans in the lower vent patterns, directly opposite each other, on the right and left sides of the cabinet. Using the included screws, attach Fans and Mounting Plates to the cabinet as shown (note Mounting Plate orientation). Fans should be inside the cabinet with the Mounting Plate between the fan and cabinet.
3. Route power cords and secure where needed.
4. From outside the cabinet, snap the Plastic Retainers to the Mounting Plates, capturing the Filter media.
5. Plug Power Cord into approved power supply to power fans. Fans will run when powered.

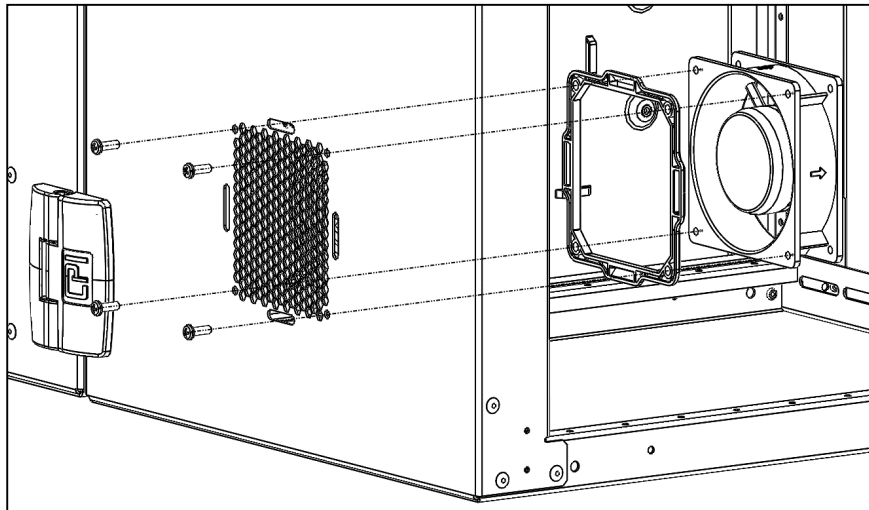
Step 1



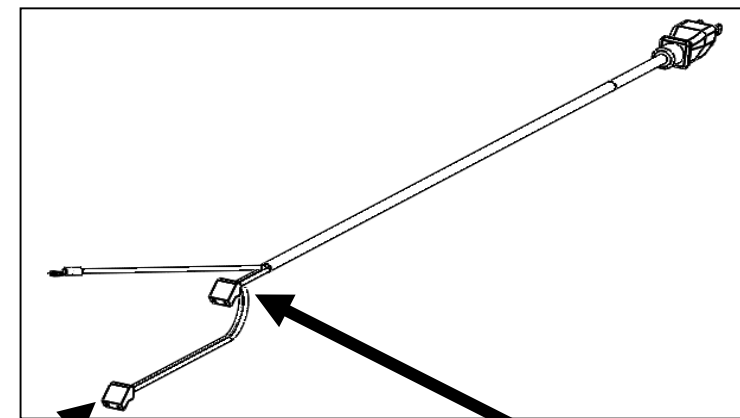
Step 4



Step 2



Step 2



Fan – Latch Side

Fan – Hinge Side