

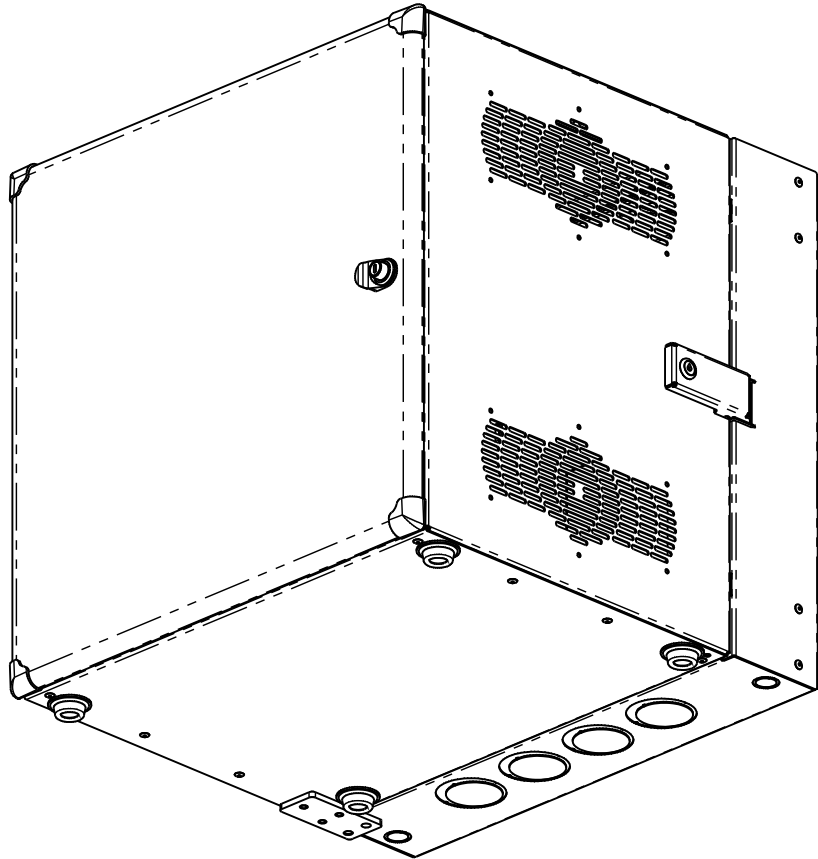
INTENDED USE

The rubber feet enable Cube It cabinets to be positioned on the floor or a table top (must be able to support the weight of the cabinet) without being attached to a wall. This allows the front door and rear panel to be opened while the center housing remains stationary.

The rubber feet may only be used on cabinets that are 24" or 30" deep and 24" to 48" high. The use of the rubber feet on other sizes of cabinets can cause a tipping hazard.

INSTALLATION

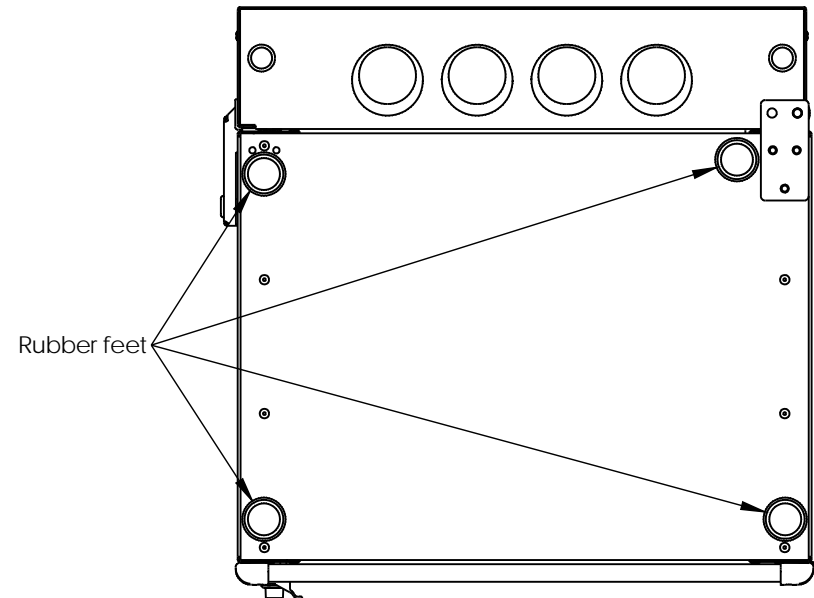
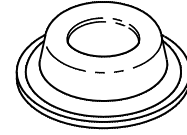
Remove the adhesive backing from each rubber foot and position them as shown on the bottom of the center housing.



PARTS INCLUDED

SHEET 1

Rubber foot
Qty 4



Bottom view of cabinet

CPI CHATSWORTH PRODUCTS, INC.

800-834-4969 techsupport@chatsworth.com www.chatsworth.com

INSTALLATION INSTRUCTIONS,
RUBBER FEET,
CUBE IT CABINET

THIS DRAWING CONTAINS INFORMATION PROPRIETARY TO CHATSWORTH PRODUCTS, INC. ANY REPRODUCTION DISCLOSURE OR USE OF THIS DRAWING IS EXPRESSLY FORBIDDEN EXCEPT AS AGREED TO IN WRITING BY CHATSWORTH PRODUCTS, INC.