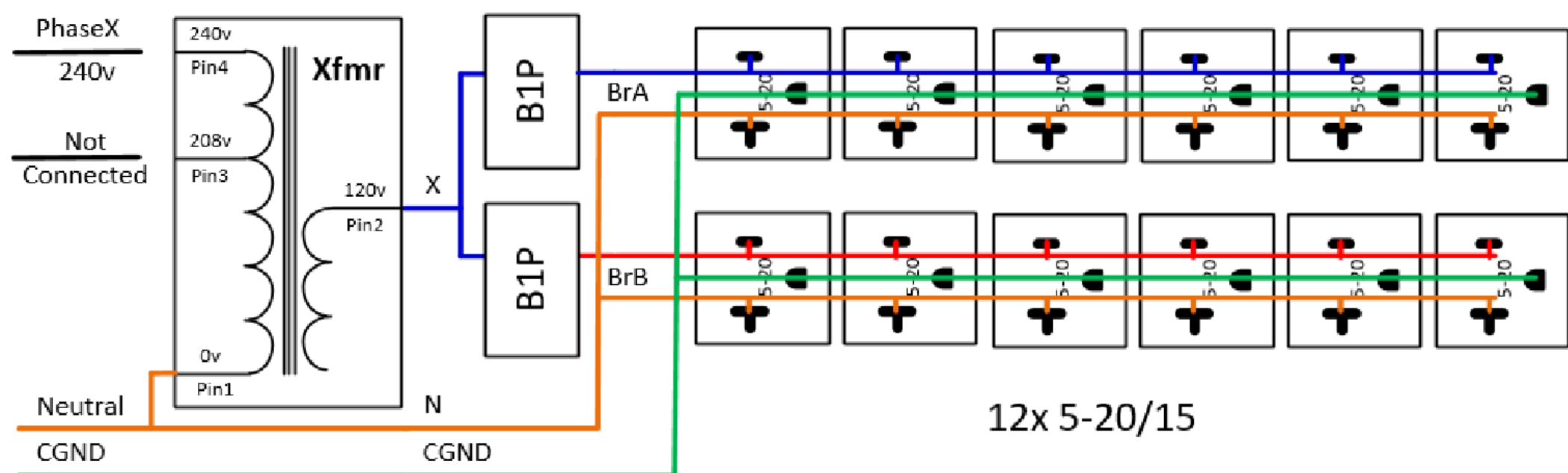


SIMPLIFIED WIRING SCHEMATIC



Technical Specs:	
Input Ratings	
Nominal Voltage (VAC)	240VAC, Single Phase, 60 Hz
Input Plug / Cord	IEC 60309 32A 1P+N+E, 10 ft (3m)
Current Rating	30A Derated to 24A Total
Power Rating (kW)	2.88
Output Ratings	
Nominal Voltage (VAC)	120VAC, 60 Hz
Current Rating	24A Total
Outlet Rating	NEMA 5-20R: 12A max
Max Current per Breaker	16A Max
Outlet Combination	
Load Segment	CB1, CB2: (6) NEMA 5-20R
PDU Total	(12) NEMA 5-20R
Branch Circuit Protection	(2) 2-pole 20A UL489 Breaker
Surge Suppression	None
Features:	
Mounting System	19" EIA Rack Mount
Dimensions & Weights:	
Width (In[mm])	17 [431.8]
Height (In[mm])	3.47[88.14]
Depth (In[mm])	13.0 [330.2]
Weight (lbs[kg])	
Regulatory Information: UL 60950, IEC 60950-1, CE, RoHS	
Environmental Conditions:	
Operating Temperature	60C
Operating Rel Humidity	5 - 95%
Operating Elevation	0-10000 ft (0-3000 m)
Storage Temperature	-13 - 149F (-25 - 65C)
Storage Rel Humidity	5 - 95%
Storage Elevation	0-50000ft (0-15000 m)
Hardware Included:	
	(1) ground kit cable
	(2) mounting brackets

Notes:
 1 All Dimension are in inches [millimeters] unless otherwise specified
 2 Installation must conform with all related national and local codes
 3 For a 208/120VAC 60Hz version of this transformer, please contact Tech Support
 4 For more information, please contact Tech Support at techsupport@chatsworth.com

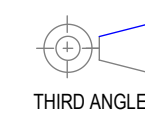
©2018 Chatsworth Products, Inc.
 All rights reserved.



All products quoted are subject to availability based on manufacturing capacity and shipping dates should be considered estimates only.

While every effort has been made to ensure the accuracy of all information, CPI does not accept liability for any errors or omissions and reserves the right to change information and descriptions of listed services and products.

PDU, STEP DOWN TRANSFORMER, 240 VAC TO 120 VAC



TS1039305 ISS

SHEET 1 OF 1 1