

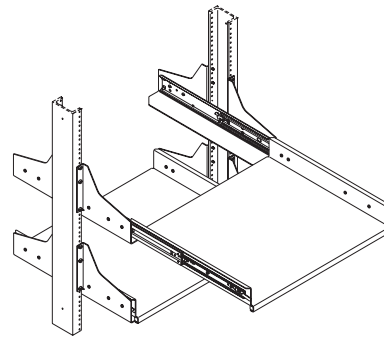


CHATSWORTH
PRODUCTS

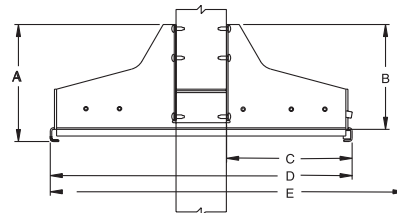
Sliding Equipment Shelf

Sliding Equipment Shelf

Provides a sliding shelf for front access to all equipment. Mounting hardware not included. 18"D (460 mm) shelf extends out an additional 16" (410 mm) from closed position. Lockable in fully extended and fully retracted positions. 19" version holds up to 16"W x 17.5"D (410 mm x 445 mm) equipment, 23" version holds up to 20"W x 17.5"D (510 mm x 445 mm) equipment. Mounts on 3"D (80 mm) double-sided racks only. Made of sturdy, lightweight aluminum; supports up to 100 lb (45.4 kg).



4U



- A 7.00" (117.8 mm)
- B 6.27" (159.3 mm)
- C 7.48" (190.0 mm)
- D 18.0" (457.2 mm)
- E 34.62" (879.3 mm)

ORDERING INFORMATION

Part Number	Description	Shipping Weight lb (kg)
11415-X19	Sliding Equipment Shelf For 19" Rack	13 (5.9)
11415X23	Sliding Equipment Shelf For 23" Rack	13 (5.9)

X=color: 1=Gray, 5=Clear, 7=Black, E=Glacier White

United States & Canada
Simi Valley, CA
800-834-4969
Toronto, Ontario, Canada
+905-850-7770
chatsworth.com
techsupport@chatsworth.com

Latin America
Mexico City, Mexico
+52-55-5203-7525
Toll Free within Mexico
800-201-7592
chatsworth.com.co

Europe
Buckinghamshire
England, UK
+44-1628-524-834

Middle East & Africa
Dubai, UAE
+971-4-2602125
Doha, Qatar
+974-4-267422

Asia Pacific
Jing'an District,
Shanghai, China
+86 21 6880-0266
chatsworth.com.cn