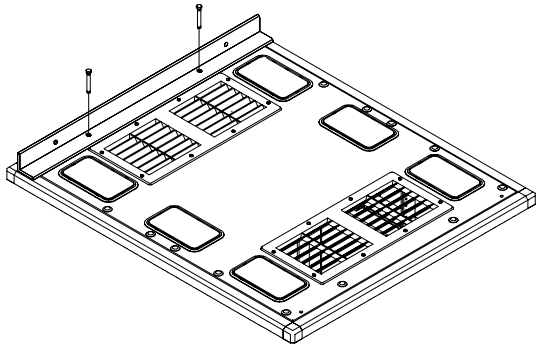
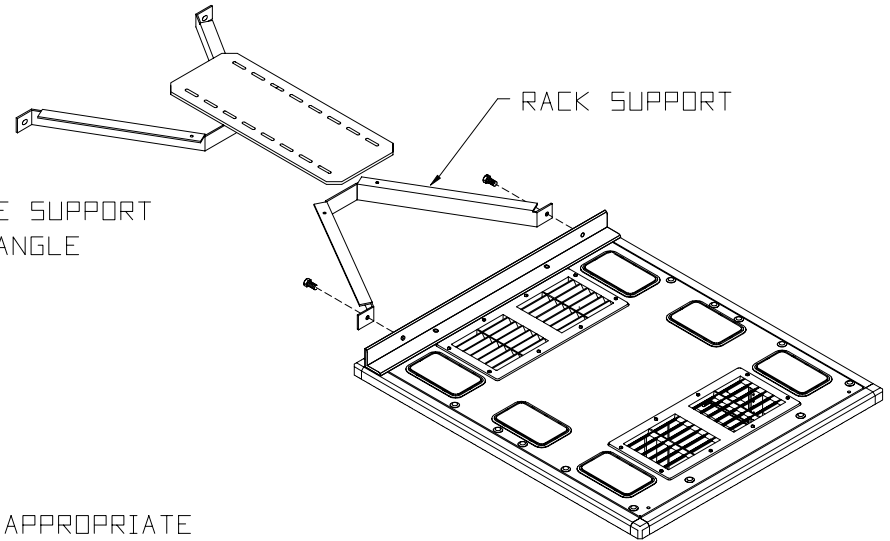


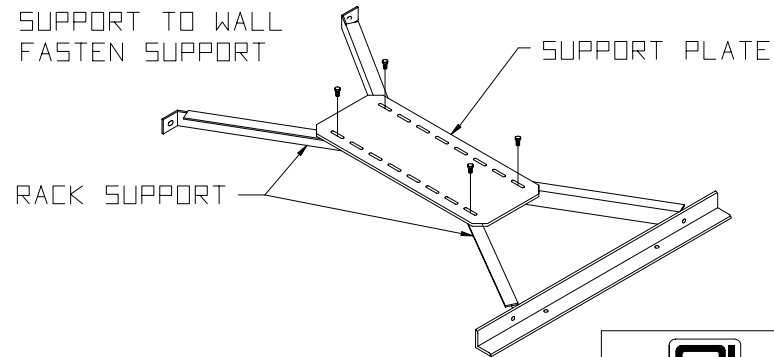
1. BOLT TOP ANGLE TO MEGAFRAME, USE THE 1/4" SPACER BETWEEN BRACE ANGLE AND MEGAFRAME TOP.
2. USE 3/4" SPACER UNDERNEATH TOP AND EXTRUSION.



2. BOLT ONE SUPPORT TO TOP ANGLE



3. ADJUST PLATE TO APPROPRIATE DISTANCE FROM WALL.
4. FASTEN WALL SUPPORT TO WALL AND SECURELY FASTEN SUPPORT PLATE.



3. USING A LEVEL, LEVEL BRACING KIT AND BOLT WALL SUPPORT TO WALL STRUCTURE.

2. IT IS ADVISED THAT WALL/RACK BRACING KIT BE MOUNTED TO A 3/4" PLYWOOD BACKBOARD, SECURELY FASTENED TO THE WALL STUDS.

1. WALL SUPPORT AND RACK SUPPORT ARE SYMMETRICAL.

NOTE:



MEGAFRAME BRACING KIT INSTALLATION INSTRUCTIONS

THIS DRAWING CONTAINS INFORMATION PROPRIETARY TO CHATSWORTH PRODUCTS, INC. ANY REPRODUCTION, DISCLOSURE OR USE OF THIS DRAWING IS EXPRESSLY FORBIDDEN EXCEPT AS AGREED TO IN WRITING BY CHATSWORTH PRODUCTS, INC.