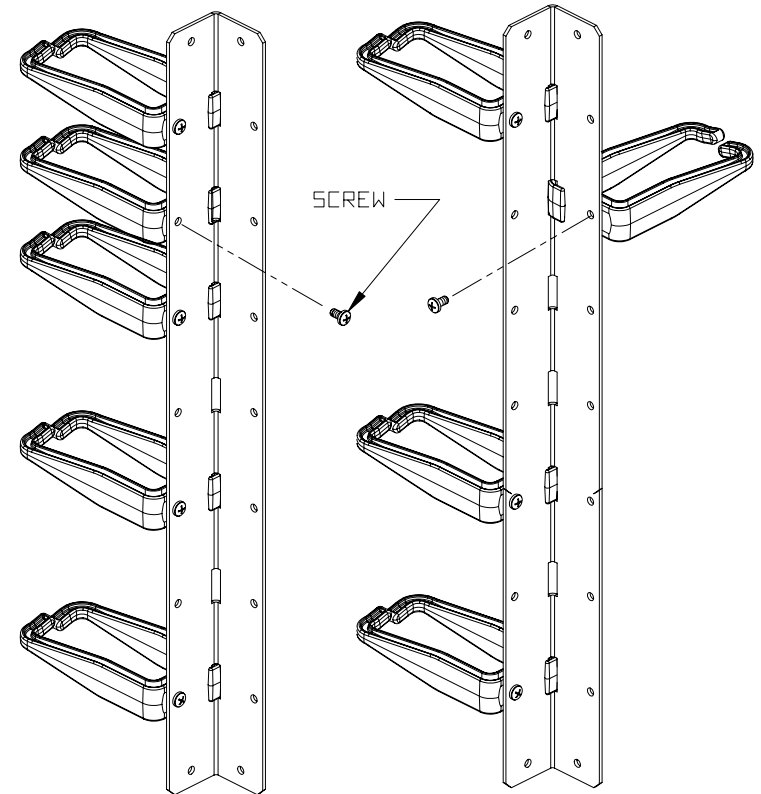
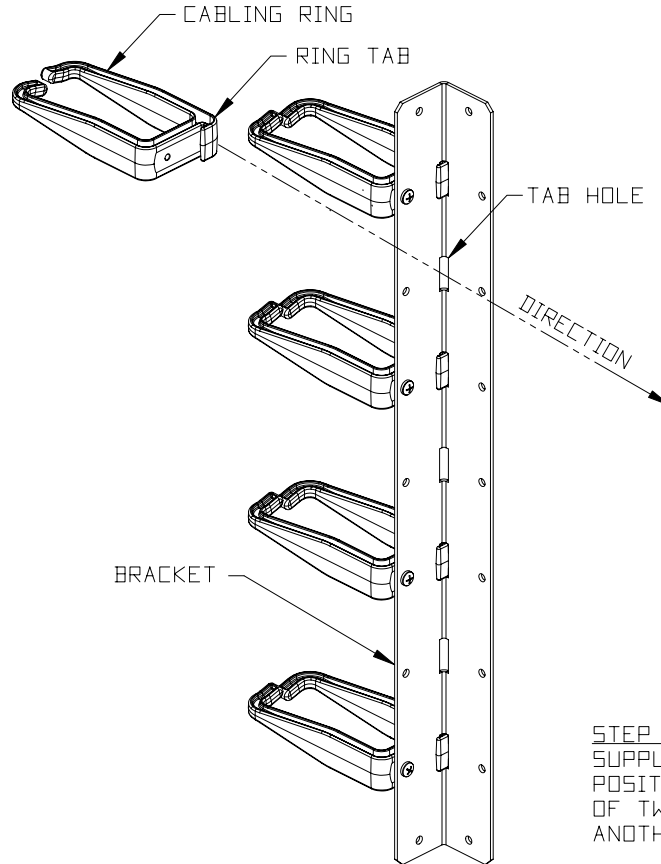




SCREW, 1/4-15 X 1/2,  
HI-LO, CROSS DRIVE,  
PAN HEAD  
(P/N  
025-902009-007)

**STEP 1** - ATTACH CABLING RING TO BRACKET BY SLIDING THE TAB ON THE RING INTO THE TAB HOLE ON THE BRACKET.



**STEP 2** - ADD CABLING RINGS TO BRACKET (USE SCREWS SUPPLIED) OR MOVE PRE-INSTALLED CABLING RINGS TO NEW POSITIONS ON BRACKET. RINGS CAN BE MOUNTED IN EITHER OF TWO ORIENTATIONS THAT ARE PERPENDICULAR TO ONE ANOTHER.

RINGS ON THE 12465 SERIES VERTICAL CABLING RING SECTION PROVIDE THE FOLLOWING BENEFITS WHEN MANAGING VERTICAL CABLE RUNS IN THE MEGAFRAME CABINET OR FRAME:

1. LARGE, U-SHAPED RINGS MADE OF TOUGH MOLDED PLASTIC ALLOW CABLES TO BE EASILY ADDED.
2. ROUNDED EDGES ON RINGS PROTECT CABLE SHEATHS.
3. RINGS ARE SECURELY ATTACHED WITH ONE SCREW AND A TAB/SLOT FEATURE SO THEY ARE EASY TO REMOVE OR ADD.

4. TWO CABLE PATHWAYS CAN BE CREATED ON ONE CABLING RING SECTION - ONE VERTICAL CABLE RUN CAN BE INSIDE THE EQUIPMENT MOUNTING AREA AND ANOTHER CAN BE OUTSIDE THE EQUIPMENT MOUNTING AREA.
5. CABLE TRANSITIONS CAN BE BETTER MANAGED BECAUSE RINGS CAN BE MOUNTED IN EITHER OF TWO ORIENTATIONS THAT ARE PERPENDICULAR TO ONE ANOTHER.



## INSTALLATION INSTR ACCESSORY KIT, CABLING RING

THIS DRAWING CONTAINS INFORMATION PROPRIETARY TO CHATSWORTH PRODUCTS, INC. ANY REPRODUCTION, DISCLOSURE OR USE OF THIS DRAWING IS EXPRESSLY FORBIDDEN EXCEPT AS AGREED TO IN WRITING BY CHATSWORTH PRODUCTS, INC.