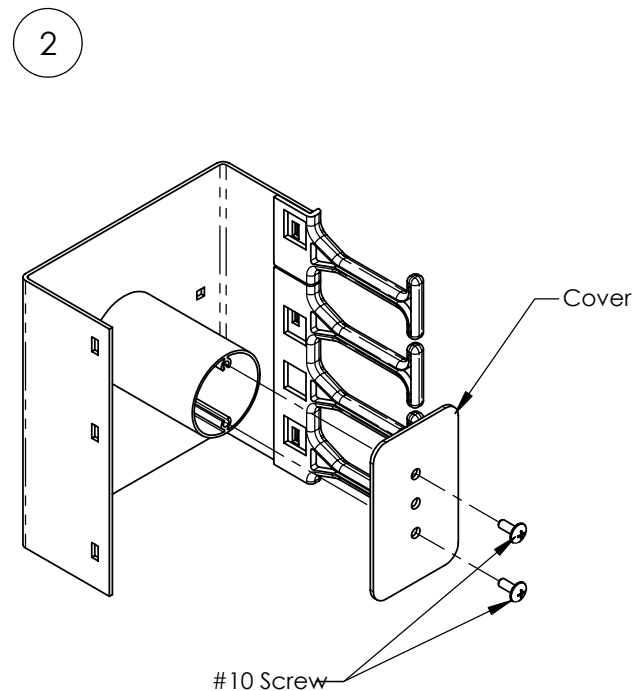
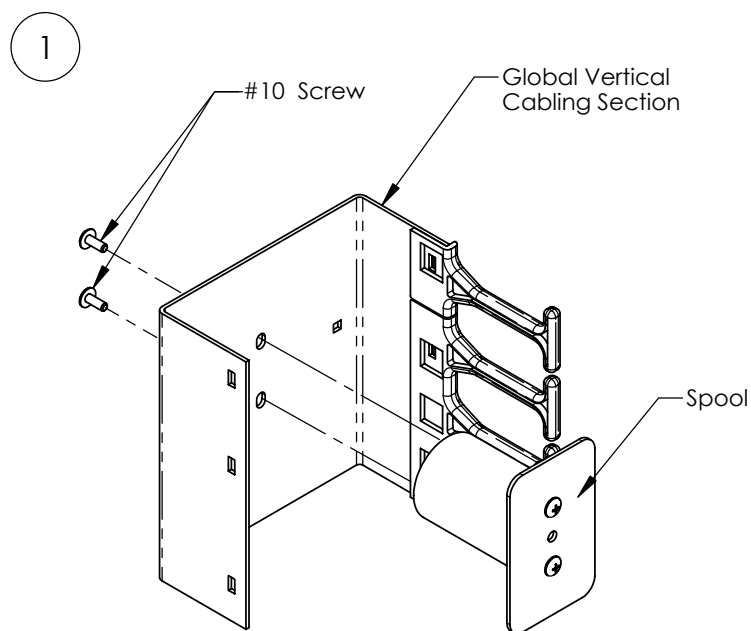


SPOOL FOR GLOBAL VERTICAL CABLING SECTION



INSTALLATION for GVCS

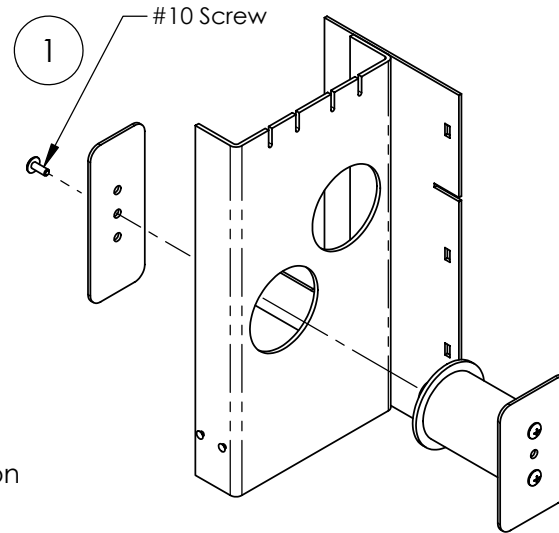
1. Locate the pre-drilled mounting holes on the GVCS. If the locations are not desirable, consider purchasing retrofit solution(12766 series) or you could simply drill 1/4" diameter holes, 1-1/2" apart.
2. Attach Spool to the cabling section. You may want to detach the cover before installing copper and fiber cables for easier access.

CPI CHATSWORTH PRODUCTS, INC.

INSTALLATION INSTRUCTION,
SPOOL, 2" DIAMETER

THIS DRAWING CONTAINS INFORMATION PROPRIETARY TO CHATSWORTH PRODUCTS, INC. ANY REPRODUCTION DISCLOSURE OR USE OF THIS DRAWING IS EXPRESSLY FORBIDDEN EXCEPT AS AGREED TO IN WRITING BY CHATSWORTH PRODUCTS, INC.

RETROFIT SPOOL



INSTALLATION for RETROFIT

1. Cabling section illustrated is CPI 6"-wide Combination Cabling Section. The spool can be installed to any vertical cabling section with 2-1/2" diameter holes.
2. Determine the mounting location. Remove edge-protecting plastic rings within the pass-through holes.
3. Use a #10-32 X 1/2" screw to attach the Spool as shown. (picture 1)
4. You may want to detach the cover before installing copper and fiber cables for easier access. (picture 2)

For Back-To-Back Style

1. Remove cover from spool. Take a #10 screw and assemble the screw through the center tapped hole of the round plate. Tighten the screw. (picture 3)
2. Align the spool from step 1 with another spool. Select a cover**, and align it between the two spools. By hand, turn the spool to engage the threads. You need only one cover. Discard extra cover. (picture 4)
3. Re-attach the cover. (picture 5)

- * Extra #10-32 X 1/2" screws are included.
 ** The covers are interchangeable.

