

Installation Instructions

FIBER SEGREGATION KIT

Verification

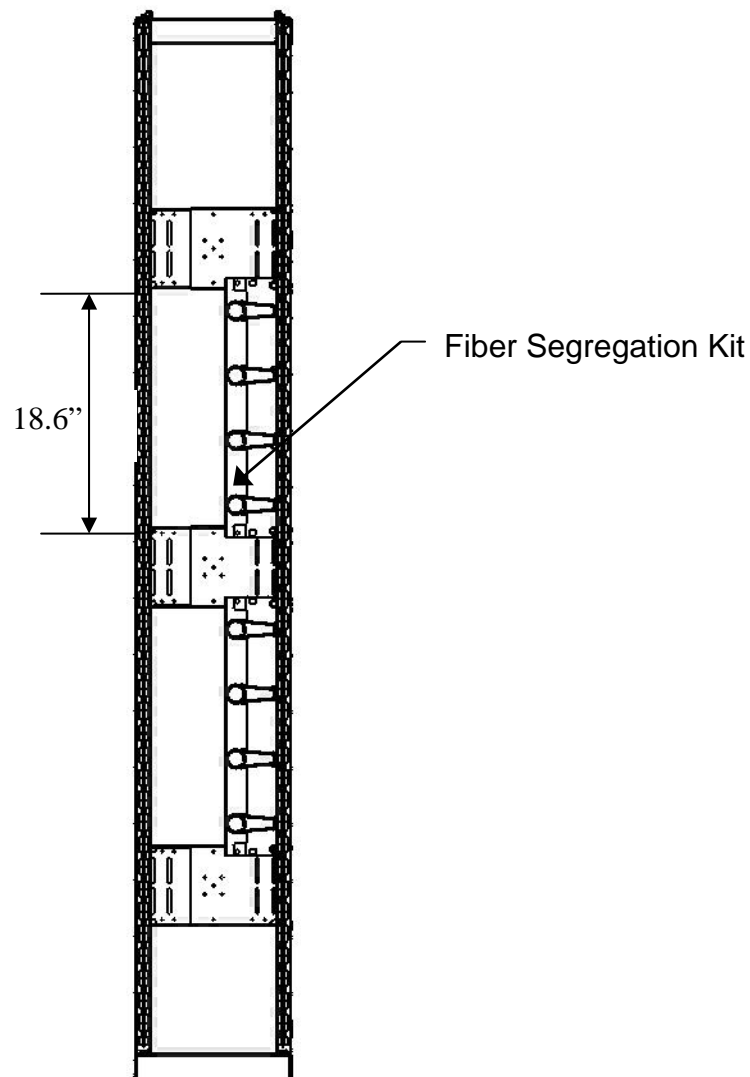
The Fiber Segregation Kit is for use with the Evolution™ Vertical Cable Managers in the following configurations:

The number of kits per manager depends on the position of the Movable Mid-Section in Evolution g2 double-sided managers and the width of the vertical cable manager as listed in the table below:

Cable Manager Width	Single-Sided or Double-Sided with 50/50 Front/Rear Split	Double-Sided with 60/40 Front/Rear Split
6" (150 mm)	0	1
10" (250 mm)	1	2
12" (300 mm)	2	2

Verify Mid-Section Locations

In order for the Fiber Segregation Kit to mount to the Accessory Panel on the Single Sided Evolution g1 or the Moveable Mid-Section on the Double Sided Evolution g2, the distance between the panels must be 18.6 inches.



CHATSWORTH PRODUCTS, INC.

IIS-735475, 02/29/08, Rev. 1, CPI/J Garza
800-834-4969 • techsupport@chatsworth.com • www.chatsworth.com

This drawing contains proprietary and confidential information and is protected by U.S. and international law. Unauthorized reproduction, disclosure or use of the drawing or the information therein is expressly forbidden except as agreed to in writing by Chatsworth Products, Inc.

Installation Instructions

FIBER SEGREGATION KIT

Tools Required

#3 Phillips Screw Driver

Intended Use

The Fiber Segregation Kit creates a separate pathway for fiber cables and patch cords inside Evolution™ Vertical Cable Managers.

Included Hardware

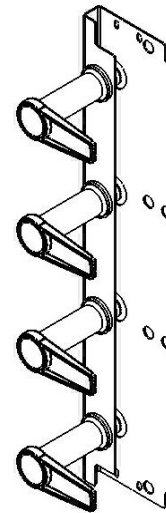
- Qty 5 ea – Taptite Screws, 10-32 x 1/2"
- Qty 2 ea – Fiber Segregation Spool Assembly
- Qty 2 ea – Extension Panel

Packaged Hardware

10-32 x 1/2" Taptite Screw



Fiber Segregation Spool Assembly



** Extension Panel



** The Extension Panel is required when mounting to the Single Sided Evolution g1 or Double Sided Evolution g2 with Moveable Mid-Sections in the center position.

Installation Instructions

FIBER SEGREGATION KIT

Fastening Fiber Segregation Kit

NOTE: For easier installation, attach Fiber Segregation Kit before installing optional Cable Spool Kit provided with Vertical Cable Manager.

Installation

1. Fiber Segregation Kits ship with all necessary hardware included.
2. Locate the included hardware to verify contents.
3. Mount a single assembly using two 10-32 x 1/2" screws.
4. For installing to a Double Sided Evolution g2 with Mid-Sections located in the rear position:
 - a. Insert the 10-32 screws through the slots in the Fiber Segregation Bracket closest to the indexing spool as shown in Figure 1.
 - b. Attach the assembly using the second mounting holes in the Mid-Section from the side panels as shown in Figure 1. Edge of bracket should nearly touch side panel.
5. For installing to a Single Sided Evolution g1 or Double Sided Evolution g2 with Mid-Sections located in the center position:
 - a. Insert the 10-32 screws through the slots in the Extension Panel as shown in Figure 2.
 - b. Attach the Extension Panel to the slots farthest away from the indexing spool in the Fiber Segregation Assembly.
 - c. Attach the entire assembly using the second mounting holes in the Mid-Section from the side panels as shown in Figure 2.
6. The Fiber Segregation Spools turn 360° with stops at 90° allowing easy access to fiber cables.

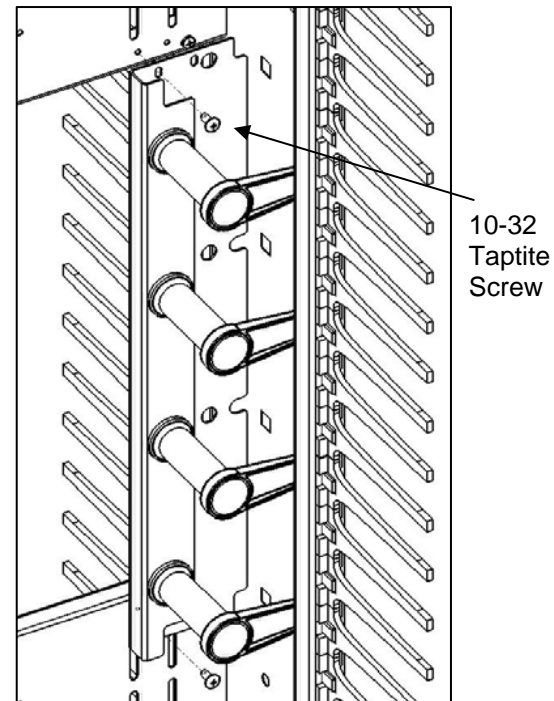


FIGURE 1

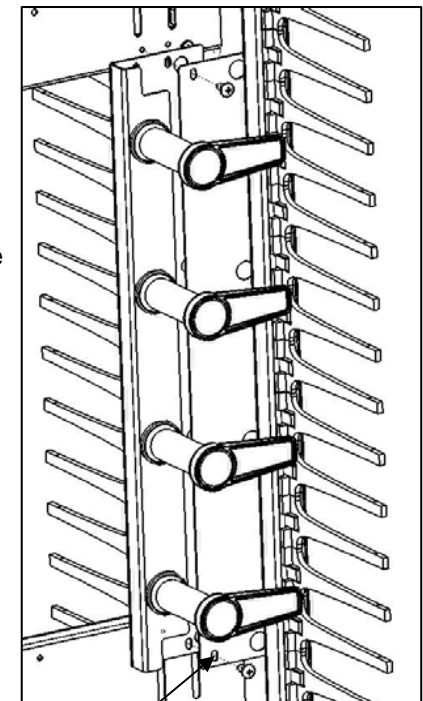


FIGURE 2

Extension Panel