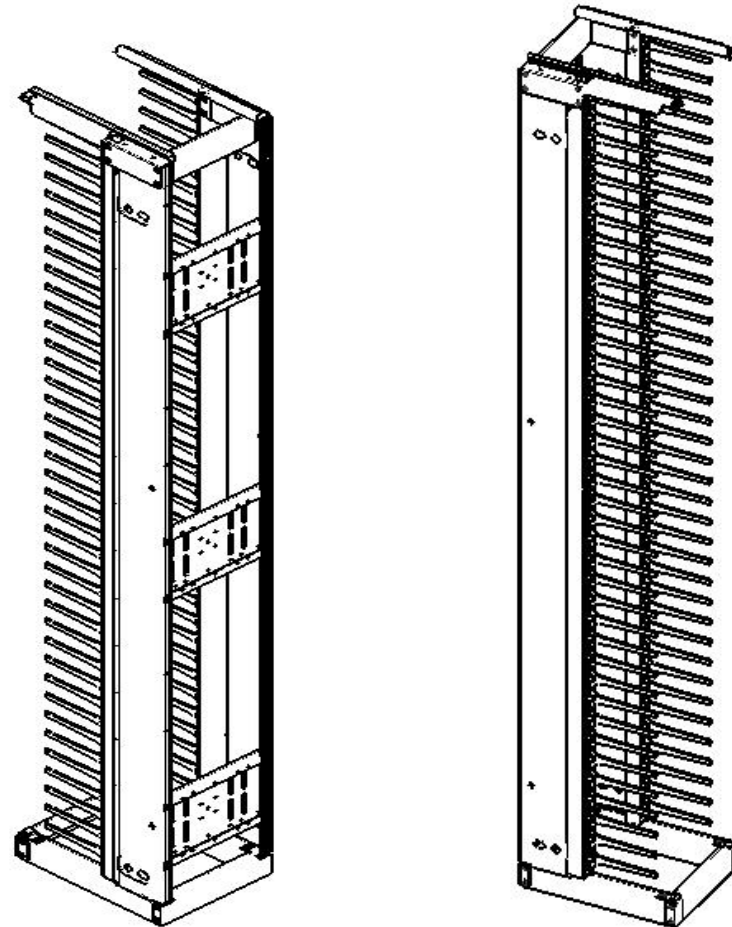


# Installation Instructions

## Fixed Accessory Panel

### Verification

Evolution™ g1 Single-Sided Vertical Cable Manager are available in various widths. Ensure that you have the correct Accessory Panel(s) for the proper width cable manager.



**Evolution™ g1 Single-Sided Vertical Cable**



**CHATSWORTH PRODUCTS, INC.**

IIS-735492, 02/29/08 Rev. 1– CPI/D Alaniz

800-834-4969 • techsupport@chatsworth.com • www.chatsworth.com

*This drawing contains information proprietary to Chatsworth Products, Inc. Any reproduction, disclosure or use of this drawing is expressly forbidden except as agreed to in writing by Chatsworth Products, Inc.*

# Installation Instructions

## Fixed Accessory Panel

### Tool Required

#3 Phillips screwdriver  
3/8" open-end wrench or socket and ratchet

### Intended Use

Fixed Accessory Panels are intended for the Evolution™ g1 Single Sided Cable Manager only.

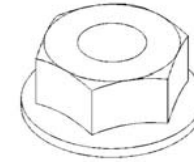
### Included Hardware

- Qty 12 ea – Pan Head Machine Screws, 10-32 x 1"
- Qty 12 ea – Hex Nuts, 10-32
- Qty 3 ea – Fixed Accessory Panel

### Packaged Hardware

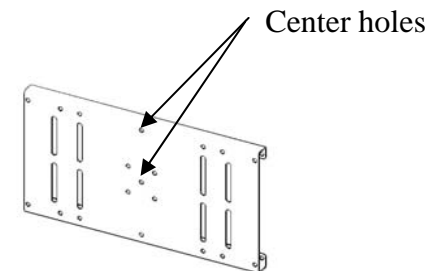


Machine Screw



Hex Nut

### **\*\*Accessory Panel**



\*\*Fiber spool holes do not exist on Accessory Panels for 6" wide vertical cable managers.

# Installation Instructions

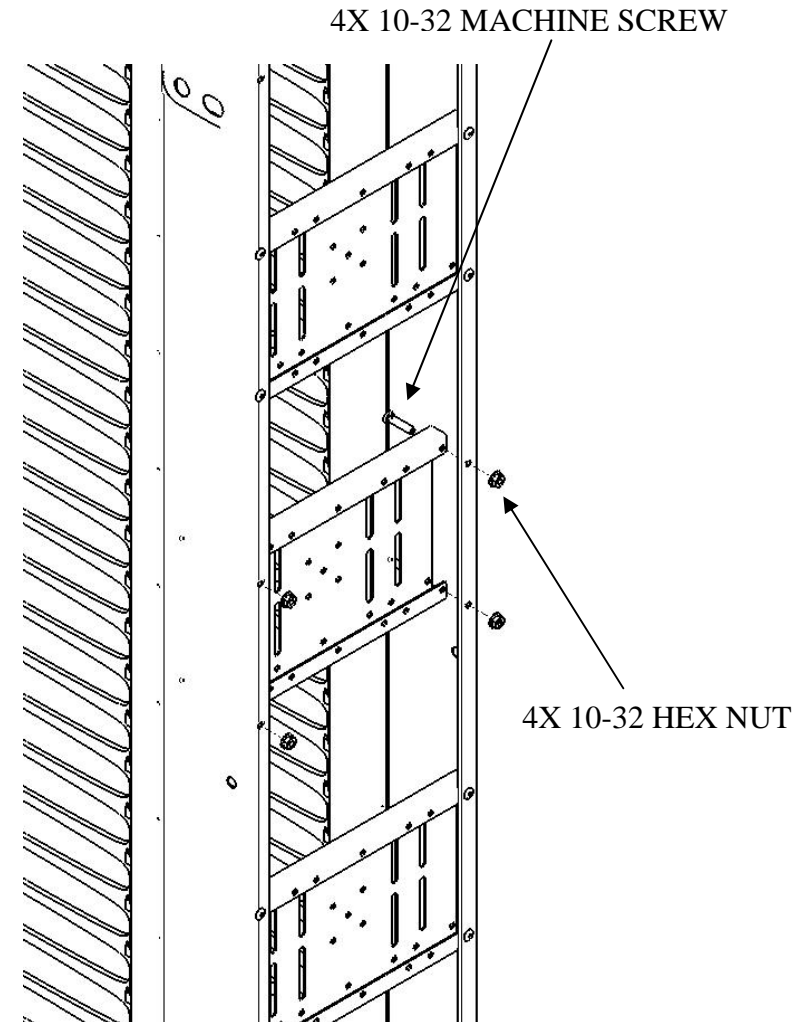
## Fixed Accessory Panel

### Fastening Panel

#### Installation

Note: Accessory Panels are designed to accommodate Fiber Segregation and Cable Lashing Bar Kits. If you plan on using these accessories it is recommended that you refer to the Fiber Segregation Kit and Cable Lashing Bar Kit installation instruction sheets for recommended Panel spacing.

1. Panels are shipped with all necessary hardware included.
2. Locate the included hardware and verify contents.
3. Locate set of mounting holes on the rear of the cable manager where the Panel will be installed.
3. It is recommended to install the Panel from the front of manager. Orient Panel as shown in Figure 2.
4. Mount the Panel using 4 ea, 10-32 x 1" pan head screws & 10-32 hex nuts.



**Figure 2**

Rear of cable manager shown