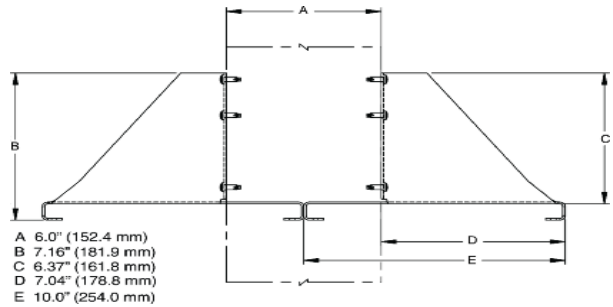
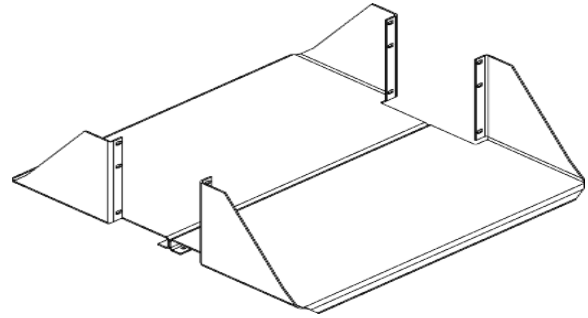


Product Cut Sheet

HEAVY DUTY EQUIPMENT SHELF FOR 6" (150 MM) CHANNEL

This shelf is designed to hold heavy equipment requiring extra support. Fits Standard Rack 6"D (150 mm) and Seismic Frame® Two Post Rack. Mounting hardware not included. 19" version holds equipment up to 17.75"W x 19.8"D (450.9 mm x 503.4 mm). Made of strong, lightweight aluminum; supports up to 200 lb (90.7 kg).



| Part Number | Description | Shipping Weight lb (kg) |
|-------------|--|-------------------------|
| 12293-X19 | Heavy Duty Shelf for 6" (150 mm) Channel, For 19" Rack | 10 (4.5) |

X=color: 1=Gray, 2=Computer Beige, 5=Clear, 7=Black, E=Glacier White

800-834-4969 in U.S. & Canada • www.chatsworth.com



©2013 Chatsworth Products, Inc. All rights reserved. CPI, CPI Passive Cooling, GlobalFrame, MegaFrame, Saf-T-Grip, Seismic Frame, SlimFrame, TeraFrame, Cube-IT Plus, Evolution, OnTrac, Velocity and QuadraRack are federally registered trademarks of Chatsworth Products. eConnect and Simply Efficient are trademarks of Chatsworth Products. All other trademarks belong to their respective companies. 6/13