

Note: each bracket has one NOTCHED END. Regardless of which installation style you choose, the notched ends must face each other as shown in Detail D. More hardware is supplied than needed for some installation styles.

Between slide and side panel with rings parallel to slide:

1. Orient brackets so notched ends meet as shown in Detail A (note: notches can be seen more clearly in Detail D).
2. Fasten brackets with $\frac{1}{4}$ " -20x $\frac{1}{2}$ " pan head SEMS screws (item 1, p/n 025-902013-016) and $\frac{1}{4}$ " flat washers (item 2, p/n 025-904006-003) to pre-installed $\frac{1}{4}$ " -20 nuts in slide as shown.
3. Attach control radius support as shown in Detail B using $\frac{1}{4}$ " -20x $\frac{1}{2}$ " pan head SEMS screws (item 3) to pre-installed $\frac{1}{4}$ " -20 nuts in slide as shown. Support may be used at top of cabinet (as shown) or at bottom as needed.

In usable depth of cabinet with rings perpendicular to slide:

1. Orient brackets so notched ends meet as shown in Detail C.
2. Fasten brackets with $\frac{5}{16}$ " -18 serrated flange nuts (item 4, p/n 025-903006-005) to pre-installed $\frac{5}{16}$ " -18 studs in slide as shown.

Between slide and side panel with rings perpendicular to slide:

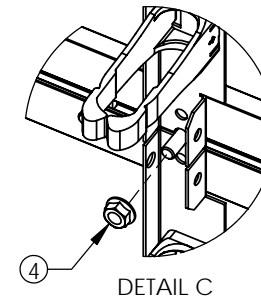
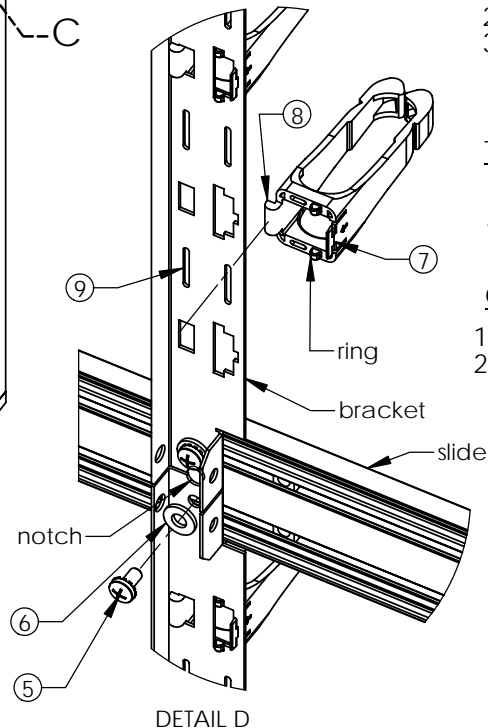
1. Reorient rings as shown in Detail D (see instruction below for moving cable rings).
2. Orient brackets so notched ends meet as shown in Detail D.
3. Fasten brackets with $\frac{1}{4}$ " -20x $\frac{1}{2}$ " pan head SEMS screws (item 5, p/n 025-902013-016) and $\frac{1}{4}$ " flat washers (item 6, p/n 025-904006-003) to pre-installed $\frac{1}{4}$ " -20 nuts in slide as shown.

To move cable rings to new position:

1. Depress tab on cable ring (item 7) and pull away from bracket.
2. To attach in new position, insert hook (item 8) in rectangular opening in bracket. Depress tab (item 7) and click into place.

Other Accessories:

1. Saf-T-Grip open-loop straps sold separately. Attach to slots (item 9).
2. Additional rings sold separately (CPI p/n 11817-001, qty 8).



CPI CHATSWORTH PRODUCTS, INC.

SLIMFRAME
CABLE MANAGER
INSTRUCTIONS

THIS DRAWING CONTAINS INFORMATION PROPRIETARY TO CHATSWORTH PRODUCTS, INC. ANY REPRODUCTION DISCLOSURE OR USE OF THIS DRAWING IS EXPRESSLY FORBIDDEN EXCEPT AS AGREED TO IN WRITING BY CHATSWORTH PRODUCTS, INC.