

Product Information Sheet

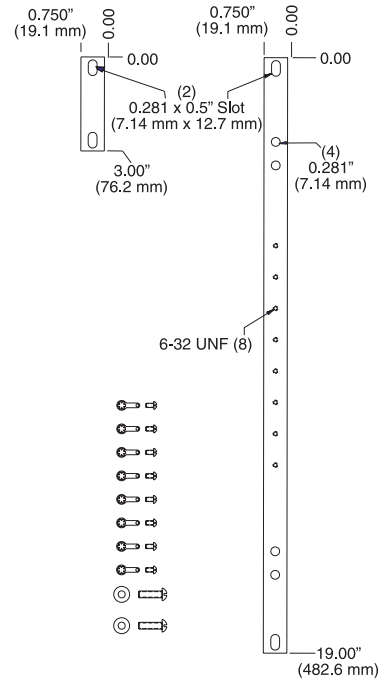
HORIZONTAL RACK BUSBAR

Horizontal Rack Busbar for consolidating equipment grounds. Constructed of 3/16"-thick x 3/4"H (4.763 mm x 19.1 mm) hard-drawn electrolytic tough pitch 110 alloy copper bar with eight #6-32 tapped lug mounting holes on 1" (25.4 mm) centers and two pairs of 5/16" (7.938 mm) diameter holes spaced 3/4" (19.1 mm) apart for attaching ground jumpers.

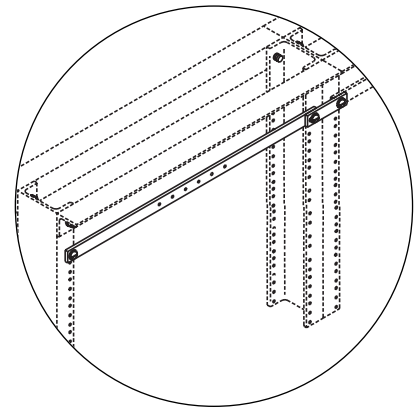
- Other configurations available on request
- UL Listed

Part number consists of Busbar and a hardware kit that includes:

- (1) splice plate bar, 3"L (80 mm)
- (2) #12-24 copper machine screws
- (2) #12 copper flat washers
- (8) #6-32 copper machine screws
- (8) #6 ring terminals



19" rack width Busbar shown



Horizontal Rack Busbar		
Part Number	Description	Shipping Weight
10610-019	Horizontal Rack Busbar, 19" W Rack	2 lb
10610-023	Horizontal Rack Busbar, 23" W Rack	3 lb
10610-035	Horizontal Rack Busbar, 35" W Rack	4 lb

800-834-4969 in U.S. & Canada • www.chatsworth.com



CHATSWORTH PRODUCTS, INC.

©2008 Chatsworth Products, Inc. All rights reserved. CPI, Saf-T-Grip, Seismic Frame, SlimFrame and MegaFrame are federally registered trademarks of Chatsworth Products, Inc. CPI Passive Cooling, Cube-iT Plus, TeraFrame, Thinline II and QuadraRack are trademarks of Chatsworth Products, Inc. All other trademarks belong to their respective companies.