


WARNING: Improper use of this product may lead to serious injury or death. Read and understand all instructions for proper installation and use of this product.



This is the safety alert symbol. It is used to alert you to potential personal injury hazards. Obey all safety messages that follow this symbol to avoid possible injury or death.

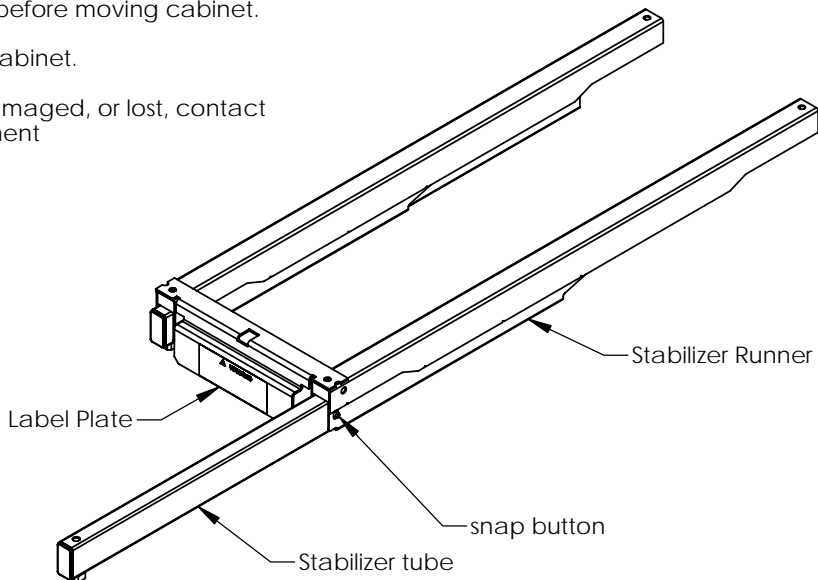
- ⚠ This stabilizer should only be installed on cabinets that are located in a restricted service environment.
- ⚠ This product should only be used by qualified service personnel.
- ⚠ CPI recommends bolting cabinet to floor. If this is not possible, the stabilizer can be used to support cabinet with one 300 lb server extended such that the server's center of gravity is located no more than 18" in front of cabinet rails.
- ⚠ Always load heavy equipment at the bottom of the cabinet first, and lighter equipment at the top.
- ⚠ Adjust and lock leveling feet so that cabinet is level and all feet touch the ground before extending stabilizer.
- ⚠ Fully extend both stabilizer tubes and adjust leveling feet so they touch floor before extending server. Tube will "click" into place when fully extended.
- ⚠ All servers other than unit being serviced must be secured in position to prevent them from sliding out and causing cabinet to tip over.
- ⚠ Extend only one server at a time. Extending multiple servers may cause cabinet to tip over.
- ⚠ Extend server slowly. Rapid deployment of server could cause cabinet to tip over.
- ⚠ Do not push on cabinet or extended server from side. Side load could cause cabinet to tip over.

To retract stabilizer, depress snap button (shown below) and push tube back into runner.

- ⚠ Retract and secure all equipment before moving cabinet.

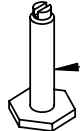
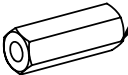



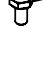




Keep these instructions in or near cabinet.


If warning label becomes worn, damaged, or lost, contact CPI technical support for replacement label (p/n 023-713111-001)



Packaged Hardware SHEET 1

(may include hardware that is not required)

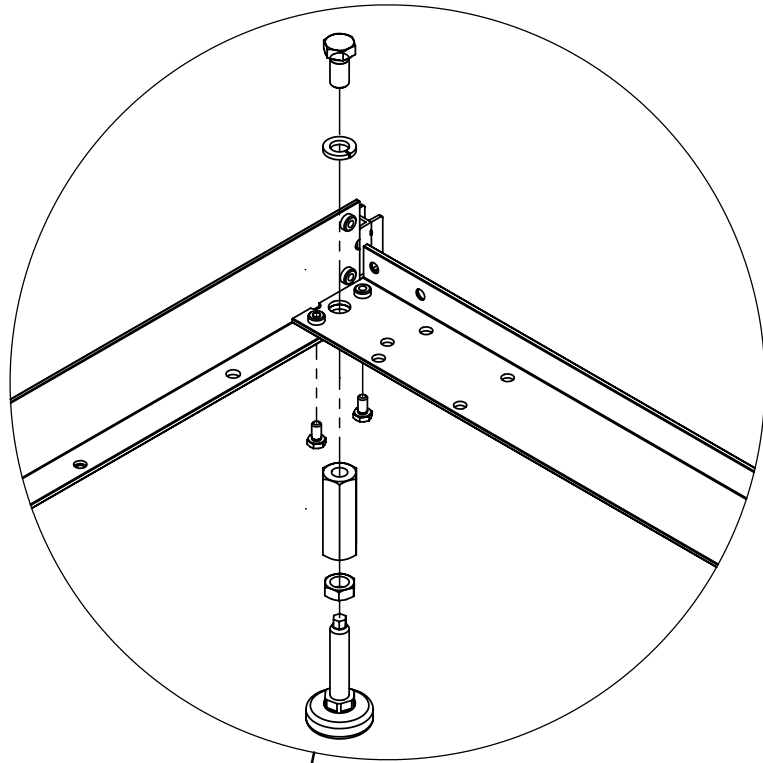
-  2 ea
Hex leveling foot
(025-908052-004)
-  4 ea (full kit only)
coupling nut
(025-712355-001)
-  4 ea (full kit only)
1/2-13 x 1 cap screw
(025-020290-508)
-  8 ea (partial kit only)
5/16-18 x 1-1/4 cap screw
(025-902004-038)
-  4 ea (partial kit)/12 ea (full kit)
5/16-18 x 1 cap screw
(025-902004-031)
-  8 ea (full kit only)
1/4-20 x 1/2 hex cap screw
(025-901006-002)
-  10 ea (full kit)/2 ea (partial kit)
5/16-18 serrated flange hex nut
(025-903006-005)
-  2 ea
1/2 washer
(025-904006-005)
-  4 ea (full kit only)
1/2 lock washer-yellow
(025-020141-100)
-  4 ea
5/16 lock washer
(025-020015-080)



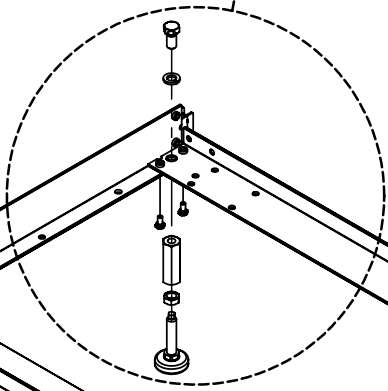
CHATSWORTH PRODUCTS, INC.
800-834-4969 techsupport@chatsworth.com www.chatsworth.com

**SLIMFRAME CABINET
RETRACTABLE STABILIZER
INSTALLATION INSTRUCTIONS**

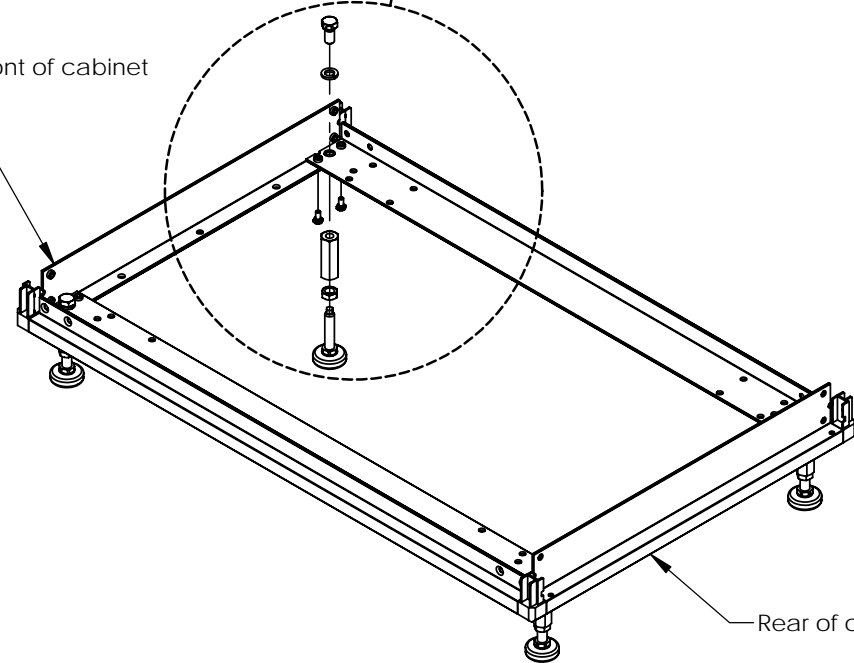
THIS DRAWING CONTAINS INFORMATION PROPRIETARY TO CHATSWORTH PRODUCTS, INC. ANY REPRODUCTION DISCLOSURE OR USE OF THIS DRAWING IS EXPRESSLY FORBIDDEN EXCEPT AS AGREED TO IN WRITING BY CHATSWORTH PRODUCTS, INC.



Front of cabinet



Rear of cabinet



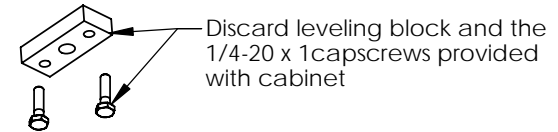
Tools required for assembly

- 7/16" wrench
- 1/2" wrench
- 7/8" wrench
- 3/4" wrench
- 3/4" deep socket
- Straight screwdriver or 1-1/4" wrench

13125 Full Kit

(for use without caster set)

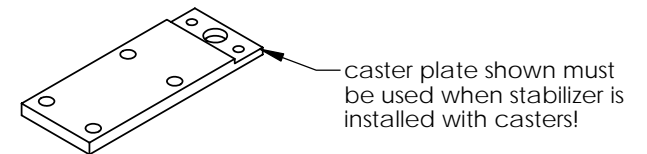
1. Remove leveling feet and blocks from cabinet.
2. Discard blocks and screws used to attach blocks to cabinet.
3. Assemble screws, leveling feet, and couplers as shown.



13126 Partial Kit

(for use with 12475 caster set)

1. Check that caster set includes reinforcing plate shown below. If plate is not present, do not install stabilizer! Contact CPI technical support.
2. Assemble caster set to cabinet following instructions provided with caster set.



For All Versions

Complete assembly for all versions by completing the following:

1. Stand cabinet up and adjust feet so cabinet is level.
2. Assemble stabilizers to cabinet as shown.
3. Install hex leveling foot to front of each stabilizer.

