

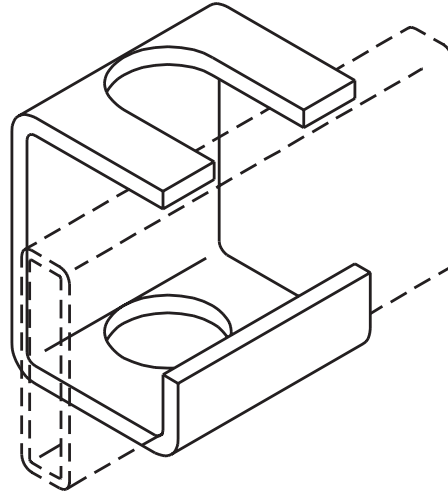
# Product Information Sheet

## SLOTTED SUPPORT BRACKET

Secures threaded rod to cable runway.

■ Kit consists of:

- 1 each slotted support bracket
- 2 each hex nuts
- 2 each split lock washers



Part Number	Description	Shipping Weight
10607-002	For 3/8" rod and 1 1/2" Stringers	1 lb
10607-001	For 5/8" Rod and 1 1/2" Stringers	1 lb

800-834-4969 in US & Canada • [www.chatsworth.com](http://www.chatsworth.com)



CHATSWORTH PRODUCTS, INC.

©2002 Chatsworth Products, Inc. 5/02/GT