

# Snap-In Filler Panel

Snap-In Filler Panel by Chatsworth Products (CPI) greatly reduces bypass airflow and blocks recirculation of hot exhaust air from the back of equipment to the front of equipment, helping to improve on cooling costs.



## ADVANTAGES

- ➔ **Complete Sealing**
  - Reduces bypass airflow in between equipment by sealing unused rack-mount spaces (U) in cabinets
- ➔ **Tool-less Installation**
  - Snaps into square-punched or tapped mounting holes on equipment rails. Integrated finger grips provide easy installation and removal
- ➔ **Universal Usability**
  - Compatible with 0.375" (9.5 mm) square-punched or tapped equipment mounting holes



## KEY FEATURES

- Design reduces gaps between stacked filler panels
- Quick installation with tool-less design
- Integrated finger grips provide easy installation and removal
- Standard Black and Glacier White finish are available
- Available in multi-packs for large installations

## SPECIFICATIONS

Description	Snap-In Filler Panels close open rack-mount spaces (U) in cabinets equipped with 19"W EIA square-punched or tapped equipment mounting rails
Use	For indoor use only, in environmentally controlled areas; may not be used outdoors or in harsh environments
Available Sizes	<ul style="list-style-type: none"> <li>• Fits 19"W, EIA/ECA-310-E compliant equipment mounting rails</li> <li>• 1U x 19" EIA</li> <li>• 2U x 19" EIA</li> </ul>
Mounting Hole Sizes:	<ul style="list-style-type: none"> <li>• .375" (9.5 mm) square holes</li> <li>• M5, M6, 10-32 and 12-24 tapped holes</li> </ul>
Certification	UL Listed under the NWIN (Information Technology and communications Equipment) category per the UL 60950 Standard, UL file number E227626
Material	Molded, Composite plastic, meets UL94 V-0
Finish	Textured (to match CPI paint) <ul style="list-style-type: none"> <li>• Black or Glacier White</li> </ul>

## USE WITH

- TeraFrame® Cabinet System
- GF-Series GlobalFrame® Cabinet System
- M-Series MegaFrame® Cabinet
- C-Series SlimFrame™ Cabinet
- SeismicFrame® Cabinet
- Two-Post Rack
- SeismicFrame® Two-Post Rack
- QuadraRack Server Frame
- Adjustable ServerRack
- Adjustable Rail ServerRack
- QuadraRack 4-Post Frame
- Adjustable ServerRack/QuadraRack

## Global Availability

### US & Canada

+1-800-834-4969  
 Toronto, Ontario, Canada  
 +905-850-7770  
 chatsworth.com  
 techsupport@chatsworth.com

### Latin America

+52-55-5203-7525  
 Toll Free within Mexico  
 01-800-01-7592  
 chatsworth.com.co

### Europe

+44-1628-524-834  
 chatsworth.com

### Middle East & Africa

Dubai, UAE  
 +971-4-2602125  
 chatsworth.ae

### Asia Pacific

+86 21 6880-0266  
 chatsworth.com.cn



CHATSWORTH  
 PRODUCTS

**RELATED PRODUCTS**

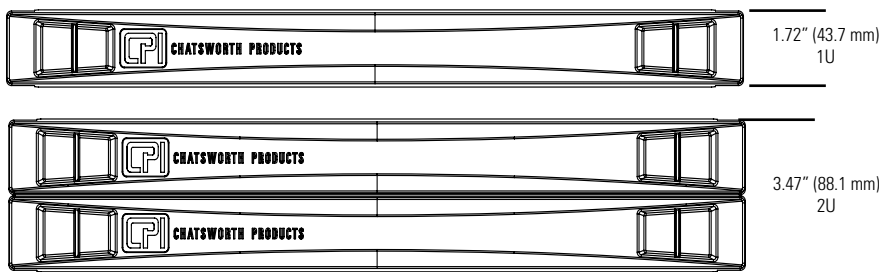
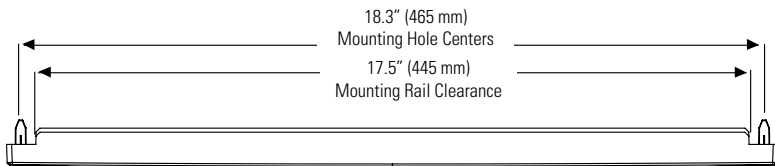
- Air Dam Kit
- Vertical Exhaust Duct
- Bottom Panel
- Seal Kit
- Raised Floor Grommets

**ORDERING INFORMATION**

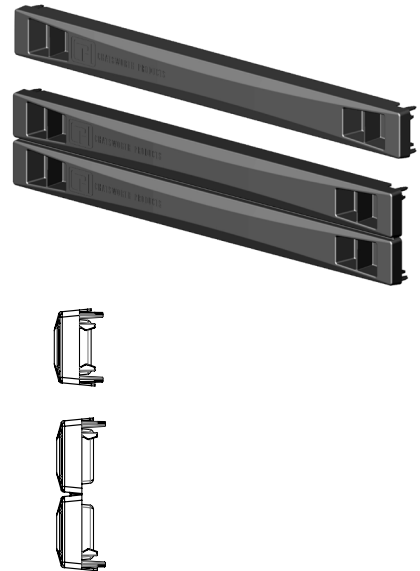
Snap-In Filler Panel			
Square-Punched	U Height	Quantity	Shipping Weight lb (kg)
34537-X00	1U	1	2 (0.9)
34537-X01	1U	6	3 (1.4)
34537-X02	1U	50	14 (6.4)
34538-X00	2U	1	2 (0.9)
34538-X01	2U	6	3 (1.4)
34538-X02	2U	50	21 (9.5)
Tapped	U Height	Quantity	Shipping Weight lb (kg)
34381-X00	1U	1	2 (0.9)
34381-X01	1U	6	3 (1.4)
34381-X02	1U	50	14 (6.4)
34382-X00	2U	1	2 (0.9)
34382-X01	2U	6	3 (1.4)
34382-X02	2U	50	21 (9.5)

X=Color; 0=Black and E=Glacier White

**DIMENSIONS**



Square-punched mounting shown.



**Reduce Rack-Mount Bypass Airflow**

Separation of hot and cold air is the critical catalyst to all other cooling system adjustments that lead to higher efficiency and savings in air cooled data center and computer rooms. Use CPI Snap-in Filler Panels to fill unused open U spaces in cabinets and racks, thus blocking recirculation of hot exhaust air from the back of equipment to the front of equipment. Designed to occupy the entire U space height, Snap-in Filler Panels also reduce leakage between stacked panels.

The Snap-In Filler Panels can be used in any cabinet or open rack that is equipped with 19" EIA square-punched or tapped equipment mounting rails. Tool-less snap design aligns and attaches to the square-punched or tapped mounting holes.

Simply line up the posts on the back of the Snap-In Filler Panels with the square-punched or tapped holes in the equipment mounting rails and push—the panels snap in place.

To remove, pull on the finger grips on the front edge of the panel.

Snap-In Filler Panels are available in 1U and 2U heights and in multi-packs. See table for product details or contact CPI Technical Support for configuration assistance.



CPI now offers Extended Limited Warranties on CPI-Branded Electronic products, available for two additional years beyond the expiration of the Original Warranty Period (3 years).

Contact CPI Customer Service, or visit [www.chatsworth.com/warranty](http://www.chatsworth.com/warranty) for more information.

Interested in learning more about thermal management solutions? Call us at 800-834-4969, or email Technical Support at [techsupport@chatsworth.com](mailto:techsupport@chatsworth.com).



While every effort has been made to ensure the accuracy of all information, CPI does not accept liability for any errors or omissions and reserves the right to change information and descriptions of listed services and products. ©2018 Chatsworth Products, Inc. All rights reserved. Chatsworth Products, Click-Nut, CPI, CPI Passive Cooling, eConnect, Evolution, GlobalFrame, MegaFrame, Motive, OnTrac, QuadraRack, RMR, Saf-T-Grip, Secure Array, SeismicFrame, SlimFrame, TeraFrame and Velocity are federally registered trademarks of Chatsworth Products. CUBE-IT, EuroFrame and Simply Efficient are trademarks of Chatsworth Products. All other trademarks belong to their respective companies. Rev.8 12/18 MKI-60020-344