

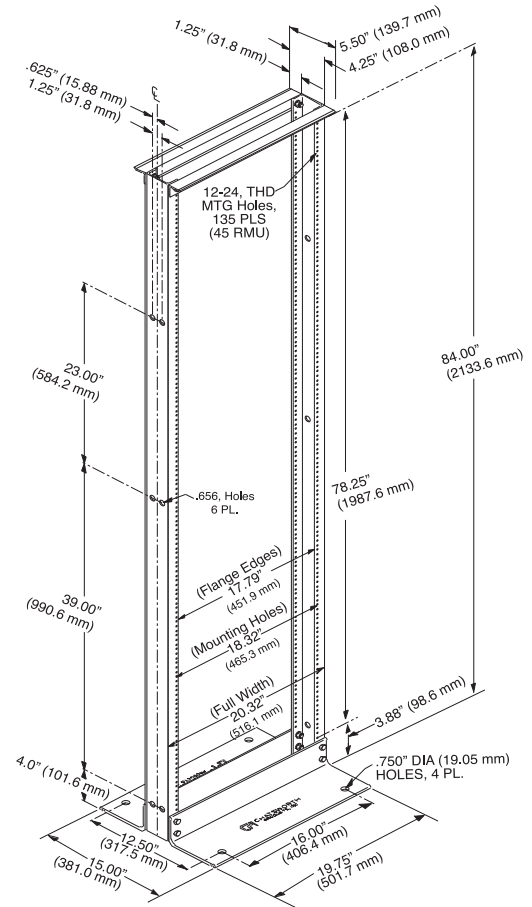
Product Cut Sheet

7', 8' & 9' STANDARD RACKS



The Standard Rack is designed for value conscious, high volume customers, who require the quality and service that sets CPI racks apart from the competition. The Standard Rack is a UL Listed communication circuit accessory designed specifically for use in telecommunications equipment installations where codes require UL Listed equipment racks. For a greater breadth of features, we recommend CPI Universal Racks.

- High strength aluminum construction
- Shipped with (2) top angles, (2) base angles, (2) 3"D (80 mm) equipment channels and assembly hardware
- Top angles allow J-bolt attachment without interfering with the top rack-mount unit space
- EIA-310-D Standard Universal 5/8"-5/8"-1/2" (15.9 mm-15.9 mm-12.7 mm) alternating hole pattern offers greater mounting flexibility and is fully compatible with conventional wide 1 1/4"-1/2" (31.8 mm-12.7 mm) alternating hole patterns
- Six web channel holes per side enable attachment of vertical cable managers or for multiple racks to be mounted together side by side
- High strength roll-formed threaded equipment mounting holes on the front and rear of the rack channel
- Rack-mount units (U) are marked and numbered to simplify equipment installation
- Includes 50 pilot point #12-24 mounting screws with combination Phillips/Straight heads to reduce cross-threading and installation time
- Integrated masked grounding studs on the inside of the rack channel for quick attachment to the Telecommunications Grounding System
- Computer beige, gray, clear grained, black and glacier white finish provides attractive appearance
- Ships unassembled, individually packaged, with assembly hardware and installation instructions. Bulk packaging is also available
- Redesigned shipping container saves space and freight costs
- Choose from three heights
- Weight capacity of 1000 lb (453.6 kg) — weight must be evenly distributed and rack must be properly secured to the floor
- UL and cUL Listed



7' (2.1 m) Rack Shown



Rack-mount units (U) simplify equipment installation



Ground Studs located directly on rack channel, speeds installation

| Part Number | Description | Shipping Weight |
|-------------|---|-----------------|
| 55053-X03 | 19"EIA x 7'H (2.1 m) Standard Rack, 45U | 32 lb (14.1 kg) |
| 55053-X15 | 19"EIA x 8'H (2.4 m) Standard Rack, 52U | 37 lb (16.8 kg) |
| 55053-X08 | 19"EIA x 9'H (2.7 m) Standard Rack, 58U | 40 lb (18.1 kg) |

Note: X=color: 1=Gray, 2=Computer Beige, 5=Clear, 7=Black, E=Glacier White.

800-834-4969 U.S. & Canada • www.chatsworth.com



CHATSWORTH PRODUCTS

©2013 Chatsworth Products, Inc. All rights reserved. CPI, CPI Passive Cooling, GlobalFrame, MegaFrame, Saf-T-Grip, Seismic Frame, SlimFrame, TeraFrame, Cube-iT Plus, Evolution, OnTrac, Velocity and QuadraRack are federally registered trademarks of Chatsworth Products. eConnect and Simply Efficient are trademarks of Chatsworth Products. All other trademarks belong to their respective companies. Rev.4 06/13