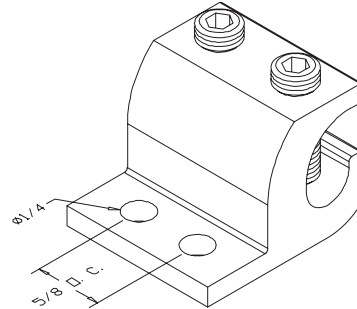


# Product Information Sheet

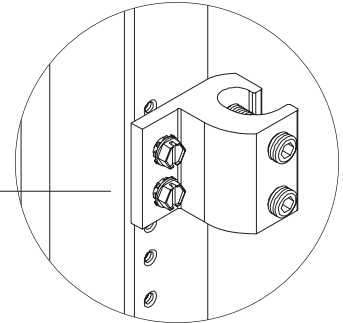
## TWO MOUNTING HOLE GROUND TERMINAL BLOCK

CPI's Two Mounting Hole Ground Terminal Block provides a convenient way to attach ground wires to racks or cabinets and meets BICSI and ANSI/EIA/TIA two-hole mounting recommendations. Constructed of extruded, high-strength aluminum and accepts conductors ranging from #14 AWG through 2/0. Includes two #3/8-24 x 7/8" L stainless steel hex head set screws.

- Manufactured from electroplated tin aluminum
- UL Listed
- Available individually or in packages of 10



Mounted on Rail



Part Number	Description	Unit	Wire Size	Shipping Weight
40167-001	Two-Hole Block	1	#14-2/0	1 lb (0.5 kg)
40167-010	Two-Hole Block	10	#14-2/0	10 lb (5.4 kg)

800-834-4969 in U.S. & Canada • [www.chatsworth.com](http://www.chatsworth.com)



**CHATSWORTH PRODUCTS, INC.**

All products quoted are subject to availability based on manufacturing capacity and shipping dates should be considered estimates only. While every effort has been made to ensure the accuracy of all information, CPI does not accept liability for any errors or omissions and reserves the right to change information and descriptions of listed services and products.

©2007 Chatsworth Products, Inc. All rights reserved. CPI, Saf-T-Grip, Seismic Frame, SlimFrame and MegaFrame are federally registered trademarks of Chatsworth Products, Inc. CPI Passive Cooling, Cube-IT Plus, EasySwing, FastTrac, Multi-Mount, Structured Termination Systems, TeraFrame, Thinline, QuadraRack and Universal Rack are trademarks of Chatsworth Products, Inc. All other trademarks belong to their respective companies. 06/03 Rev.2 NB/04/07