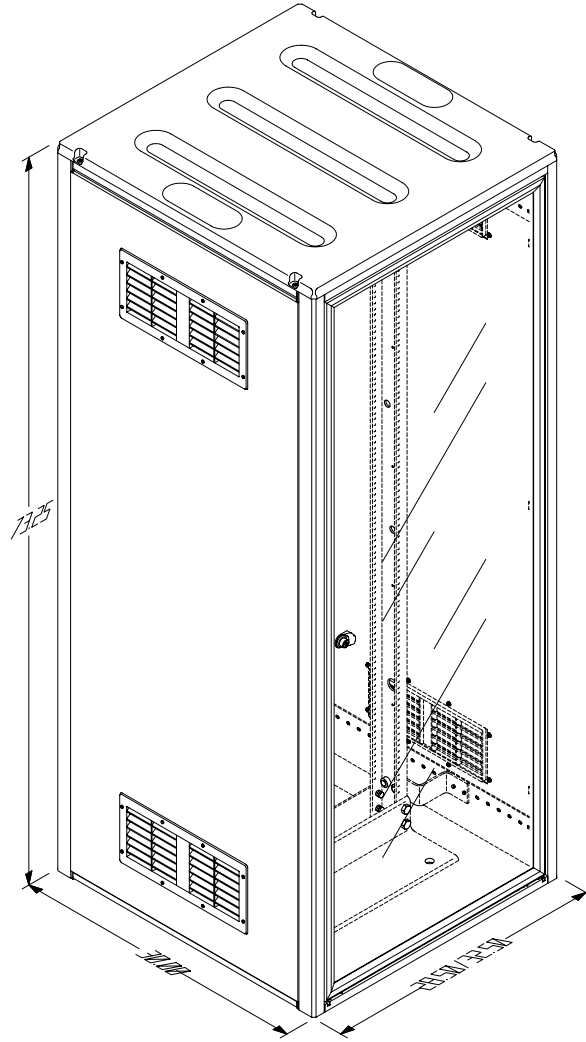
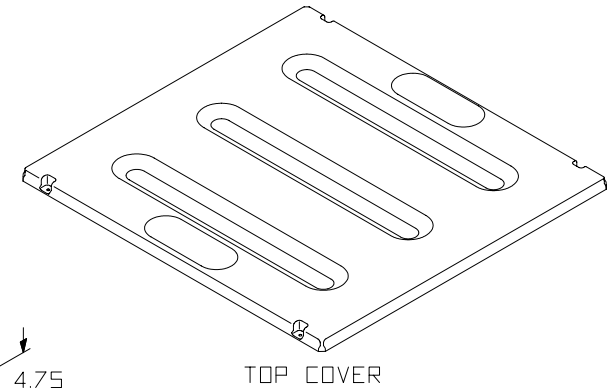
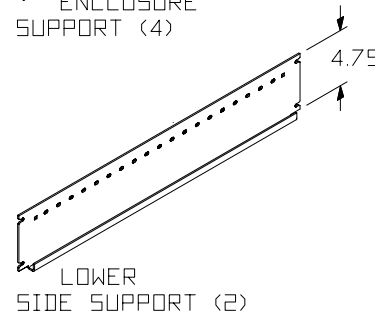
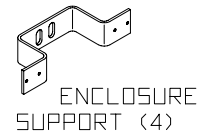
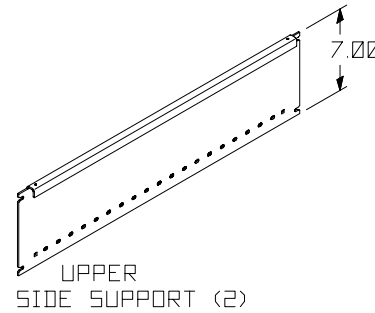
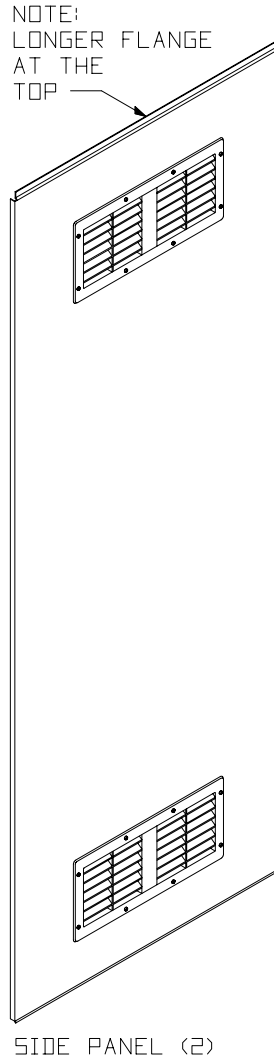
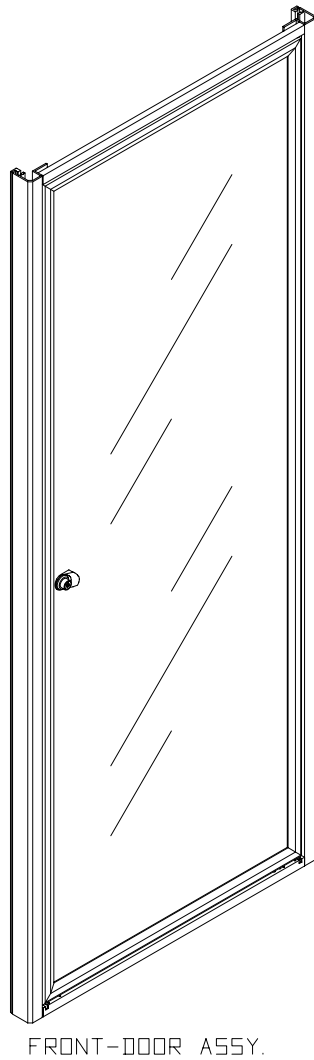
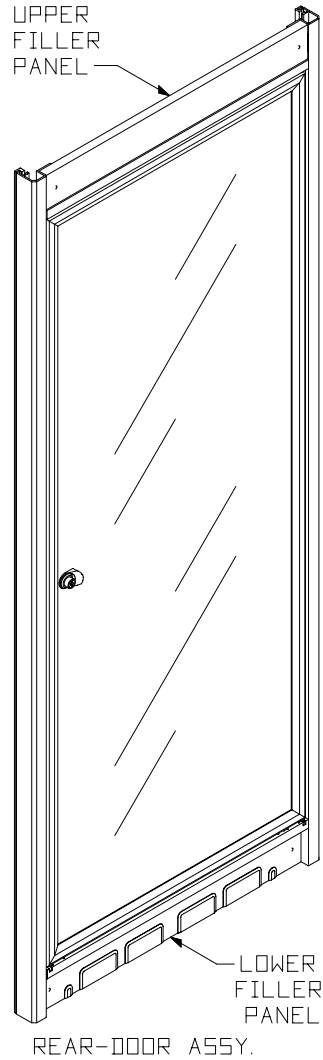


6'
ENCLOSURE



INSTALLATION
INSTRUCTIONS



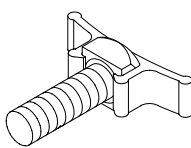
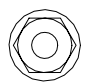
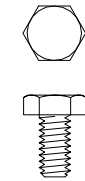

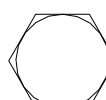
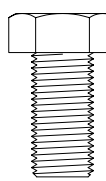
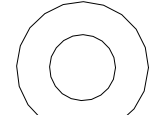


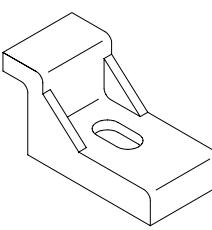



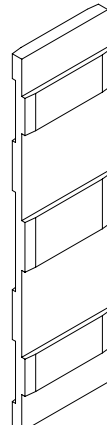
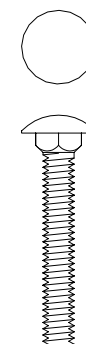
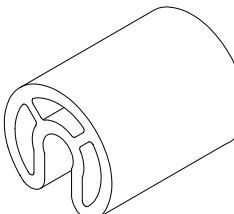

NOTE:
 DOOR SWING MAY BE REVERSED AT THIS TIME BY TURNING EITHER DOOR ASSY. UPSIDE DOWN. WHEN REVERSING THE REAR ASSY., THE UPPER AND LOWER FILLER PANELS MUST BE INTERCHANGED.
 FOR LATER REVERSAL, SEE P. 7.

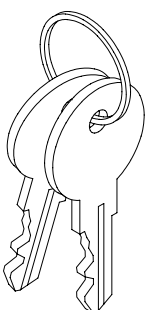



ASSEMBLY INSTR.
 PARTS
 6' ENCLOSURE

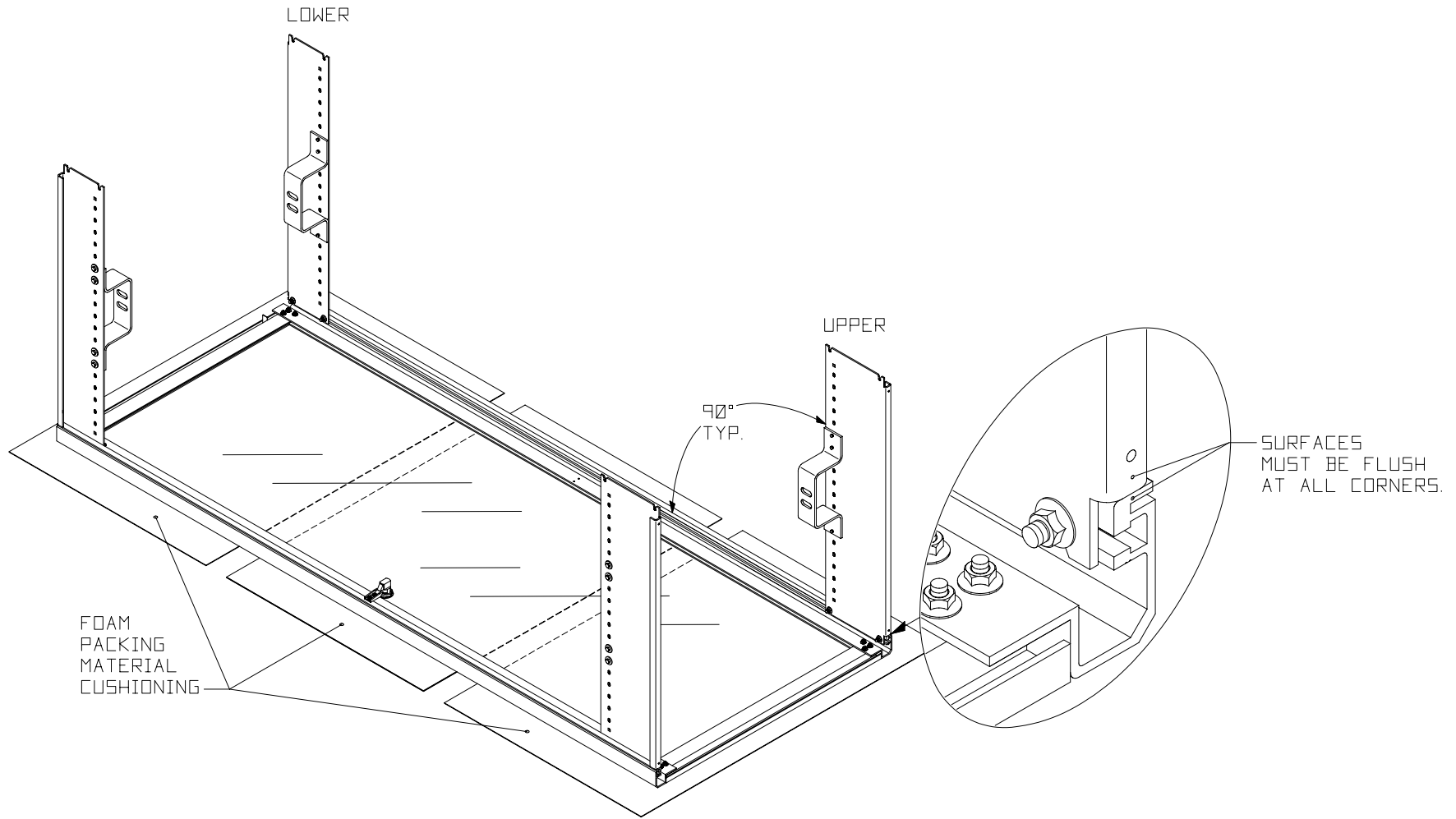
THIS DRAWING CONTAINS INFORMATION PROPRIETARY TO CHATSWORTH PRODUCTS, INC. ANY REPRODUCTION, DISCLOSURE OR USE OF THIS DRAWING IS EXPRESSLY FORBIDDEN EXCEPT AS AGREED TO IN WRITING BY CHATSWORTH PRODUCTS, INC.

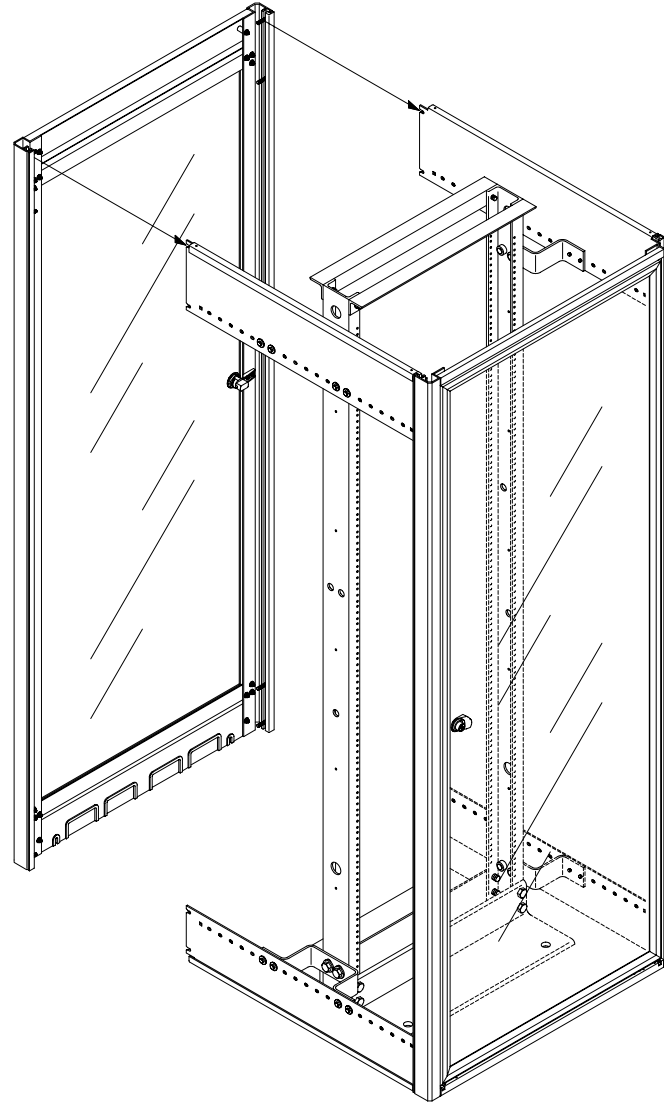
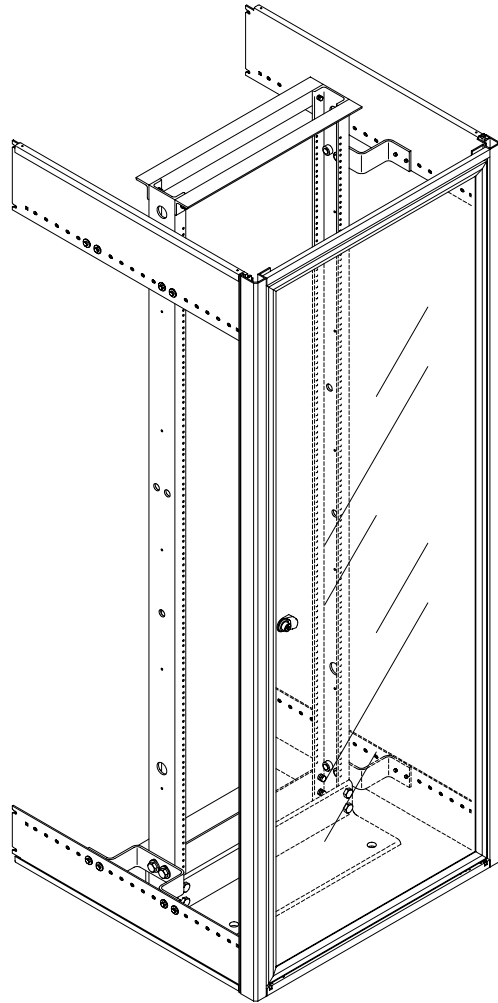
<p style="text-align: center;">11490-001</p> <p style="text-align: center;">DOOR ASSEMBLY TO SIDE SUPPORT</p>  <p>SO. HEAD BOLT 1/4-20 x .75 AND RETAINER <u>PRE-INSTALLED</u> IN VERTICAL SUPPORTS.</p> <p style="text-align: center;">QTY. 24 (ONLY 16 REQ. FOR 6' ENCLOSURE.)</p> <p style="text-align: center;">11490-001</p> <p style="text-align: center;">SIDE SUPPORT TO ENCLOSURE SUPPORT</p>  <p>FLANGE NUT 1/4-20</p>  <p>HEX BOLT 1/4-20 x 1/2</p>  <p>WASHER 1/4, FLAT</p> <p style="text-align: center;">16 EACH</p>	<p style="text-align: center;">11490-002</p> <p style="text-align: center;">ENCLOSURE SUPPORT TO RELAY RACK</p>   <p>HEX BOLT 1/2-20 x 1</p>  <p>WASHER 1/2, FLAT</p> <p style="text-align: center;">8 EACH</p>	<p style="text-align: center;">11490-003</p> <p style="text-align: center;">TOP COVER TO TOP SUPPORTS</p>  <p>SCREW 8-32 x 3/8</p>  <p>WASHER 8, CSK</p> <p style="text-align: center;">4 EACH</p>	<p style="text-align: center;">11490-004</p> <p style="text-align: center;">SIDE PANELS TO FRONT AND REAR ASSY.</p>  <p>PANEL CLAMP</p>  <p>FLANGE NUT 10-32</p> <p style="text-align: center;">12 EACH (OMITTED WITH ADJACENT ENCLOSURES)</p>
--	--	--	---

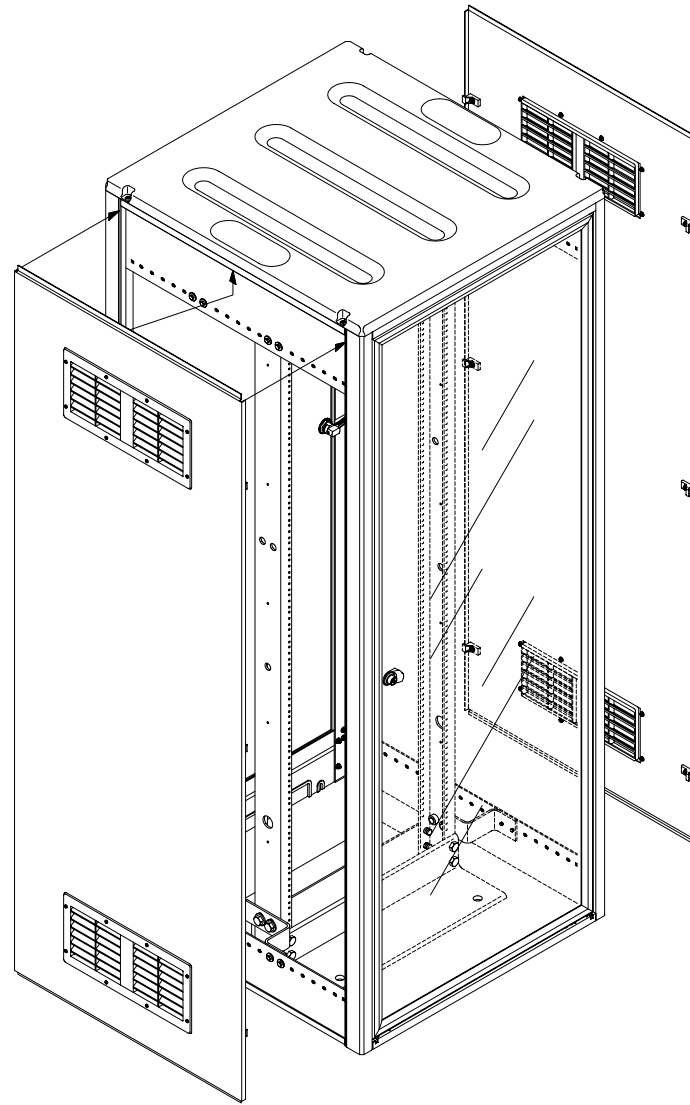
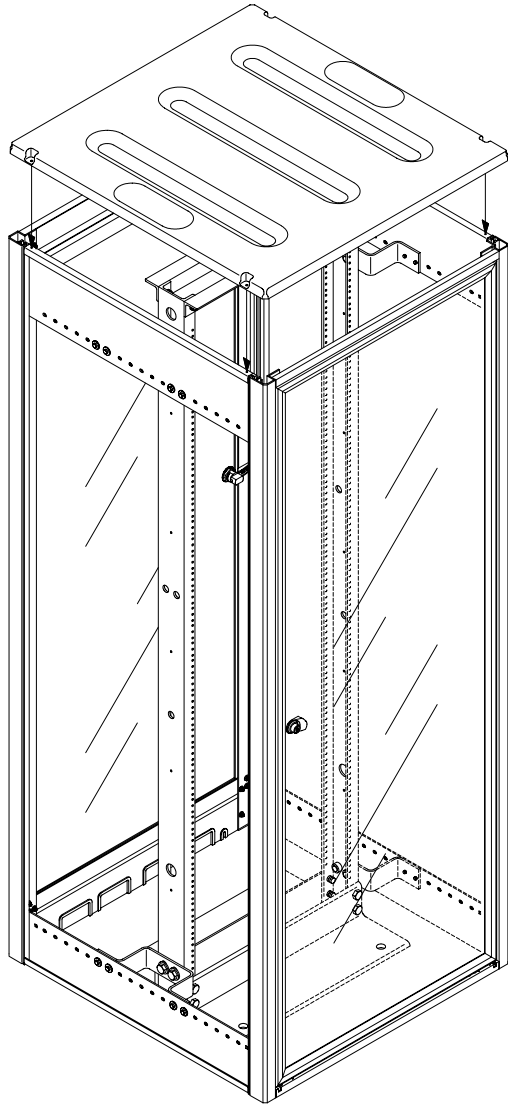
<p style="text-align: center;">11490-005</p> <p style="text-align: center;">FOR ATTACHING ADJACENT ENCLOSURES ONLY</p>  <p>ALIGNMENT STRIP</p> <p style="text-align: center;">QTY. 2</p>  <p>ROUND HEAD, SQUARE NECK BOLT 1/4-20 X 1-3/4</p>  <p>SPACER</p> <p style="text-align: center;">4 EACH</p>  <p>WING NUT 1/4-20</p>
--

 <p>DOOR-LOCK KEYS</p> <p style="text-align: center;">QTY. 2 PAIR</p> <div style="border: 1px solid black; padding: 5px; text-align: center;">  <p>CHATSWORTH PRODUCTS, INC.</p> <p>ASSEMBLY INSTR. PACKAGED HARDWARE RACK ENCLOSURES</p> <p><small>THIS DRAWING CONTAINS INFORMATION PROPRIETARY TO CHATSWORTH PRODUCTS, INC. ANY REPRODUCTION DISCLOSURE OR USE OF THIS DRAWING IS EXPRESSLY FORBIDDEN EXCEPT AS AGREED TO IN WRITING BY CHATSWORTH PRODUCTS, INC.</small></p> </div>

NOTE:
FOR EASE OF ASSEMBLY, START THE
1/4-20 FLANGE NUTS ON THE STUDS
(SQ. HEAD BOLTS) BEFORE INSTALLING
THE SIDE SUPPORTS.







DOOR-SWING REVERSAL

