

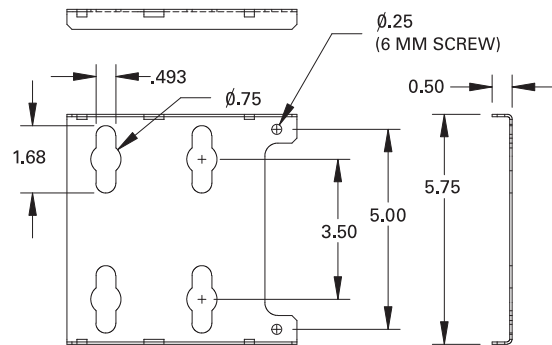
Product Cut Sheet

PDU MOUNTING BRACKETS FOR F-SERIES TERAFRAME® CABINET SYSTEM

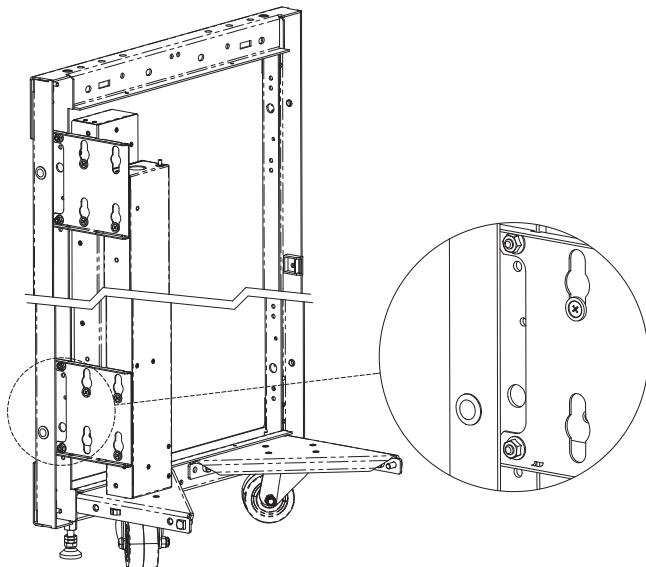
SERVICE PARTS

The Vertical PDU Mounting Bracket Kit is used to attach vertical rack-mount power distribution units (PDUs) with tool-less mounting hardware to F-Series TeraFrame® Cabinet Systems manufactured after August 1, 2011.

- The kit includes one pair of mounting brackets that attach in the rear corner of the cabinet
- The brackets will support two 2.4" W (61 mm) or narrower PDUs side-by-side
- The brackets include tool-less attachment points spaced 64.75" (1645 mm) and 61.25" (1556 mm) apart and require a minimum 6.7" (170 mm) equipment mounting rail setback to provide clearance for the PDUs at the rear of the cabinet
- The brackets position PDUs in the rear corner of the cabinet so that outlets on the PDUs face the middle of the cabinet
- One bracket kit is included with each 42U or taller F-Series TeraFrame Cabinet System manufactured after August 1, 2011; a second kit can be added to the opposite side of the cabinet to support up to four PDUs in the rear of the cabinet, two per side
- The bracket kit attaches to holes in the cabinet's frame that were added August 1, 2011; for cabinets manufactured before August 1, 2011, use the PDU/Power Strip Lashing Bracket (P/N 35086-CXX)
- This kit is not compatible with F-Series TeraFrame HD Cabinet System or the N-Series TeraFrame Network Cabinet.



Part Number	Description	Shipping Weight
13780-C01	Brackets, Pair, For F-Series TeraFrame Cabinets	2 lb (0.9 kg)



800-834-4969 in U.S. & Canada • www.chatsworth.com



CHATSWORTH PRODUCTS, INC

All products quoted are subject to availability based on manufacturing capacity and shipping dates should be considered estimates only. While every effort has been made to ensure the accuracy of all information, CPI does not accept liability for any errors or omissions and reserves the right to change information and descriptions of listed services and products.
 ©2011 Chatsworth Products, Inc. All rights reserved. CPI, CPI Passive Cooling, MegaFrame, Saf-T-Grip, Seismic Frame, SlimFrame, TeraFrame, GlobalFrame, Cube-IT Plus, Evolution, OnTrac, and QuadraRack are federally registered trademarks of Chatsworth Products, Inc. Simply Efficient and Velocity are trademarks of Chatsworth Products, Inc. All other trademarks belong to their respective companies. 09/11