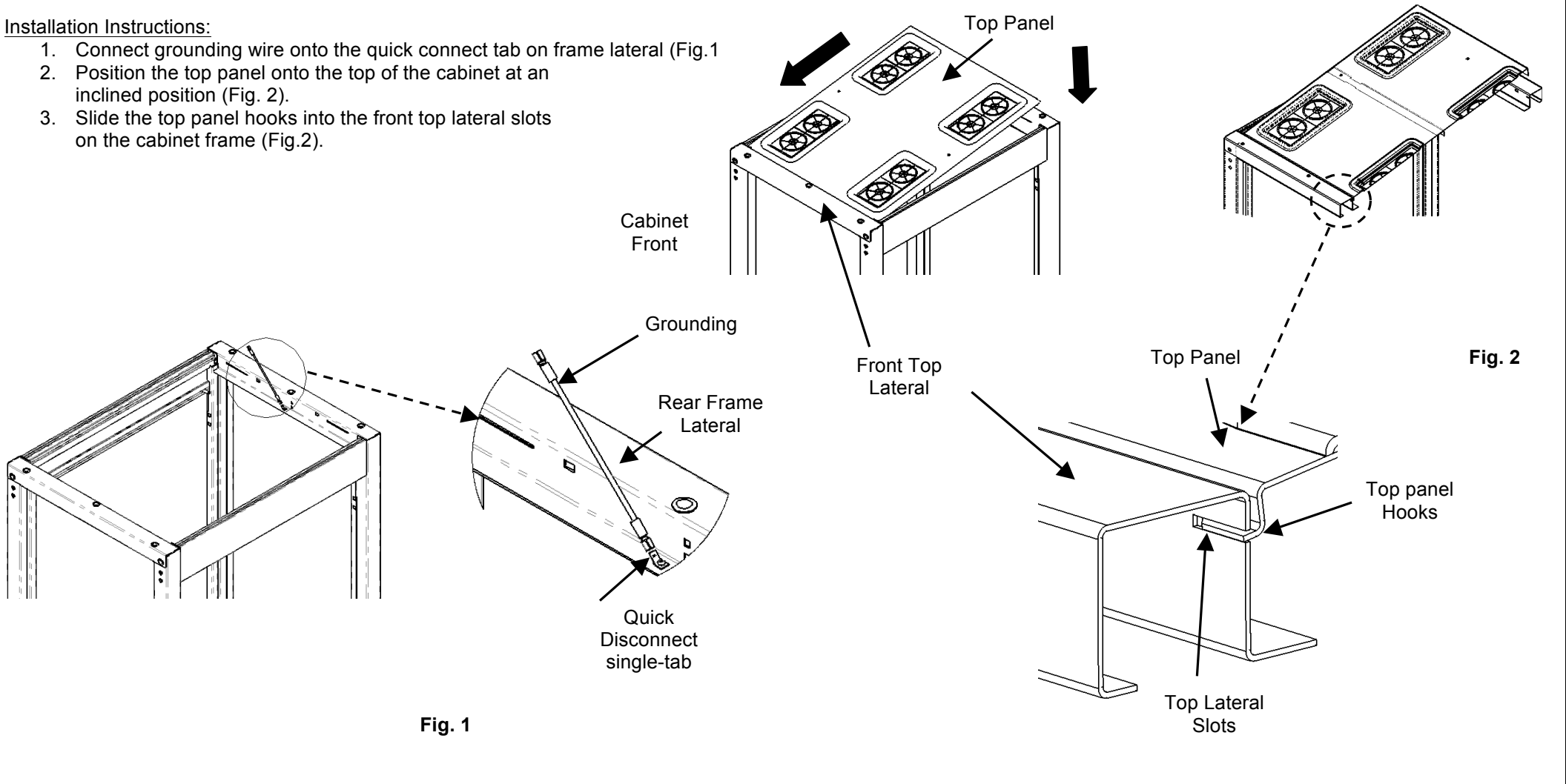


Installation Instructions

STANDARD TOP PANEL

Installation Instructions:

1. Connect grounding wire onto the quick connect tab on frame lateral (Fig.1)
2. Position the top panel onto the top of the cabinet at an inclined position (Fig. 2).
3. Slide the top panel hooks into the front top lateral slots on the cabinet frame (Fig.2).



Installation Instructions

STANDARD TOP PANEL

4. Lower top panel to engage two spring pins (Fig 3).
5. Connect the grounding wire, onto quick connect-tab on the top panel (Fig.4)

6. To remove top panel, unplug grounding wire from top panel. Next, depress the two spring pins to disengage top panel and lift off cabinet.

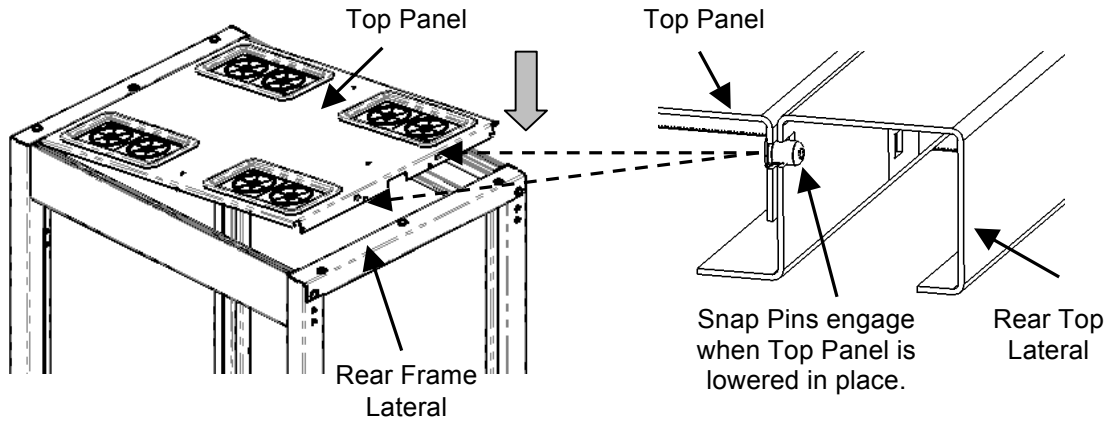


Fig. 3

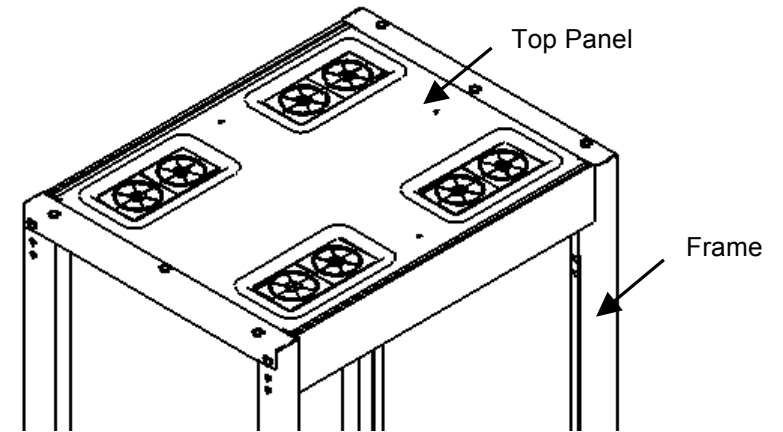


Fig. 5

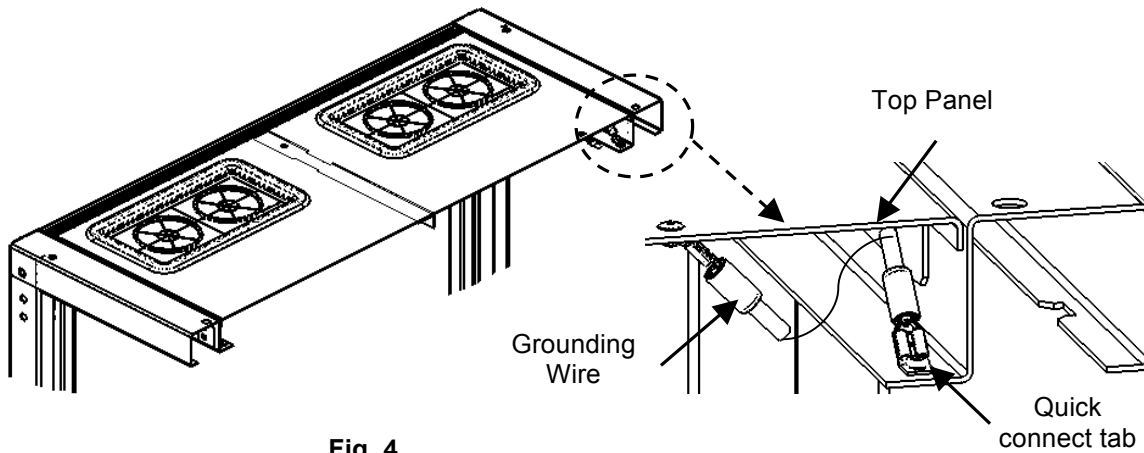


Fig. 4