

Installation Instructions

GLOBALFRAME® FRONT DOOR SINGLE-POINT LATCH ELS1000/ELS1500

Included Hardware:

ELS1000 Master kit:

- M4 Washer, 1 ea.
- M4X12mm screw 1 ea.
- M6X12mm PH Screw, 2 ea.

ELS1000 latch box contains a set of standard fasteners, please select the items below from the box:

M4X10mm Flanged Screw, 1 ea.

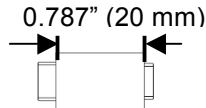
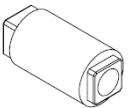
M16 Nut, 1 ea.



ELS1500 Master kit:

- M5 X 16mm screw, 2 ea.
- M6 X 35mm Hex screw, 1 ea.
- M6 X 12mm PH Screw, 2 ea.

Please select the spindle below from the ELS1500 latch box:



Tools Required:

- #2 Philips screw driver
- 19 mm Wrench
- 10 mm Wrench

ELS1000/1500 Lock Preparation:

Locate the batteries from the lock box and install in the latch before assembly. Please refer to the following Instruction documents for configuring the locks: IIS-739226 (ELS1000), ISS-739228 (ELS1500).

ELS1000 Assembly Sequence:

Install the Single point ELS1000 latch (Fig.1) on to GlobalFrame Front door.

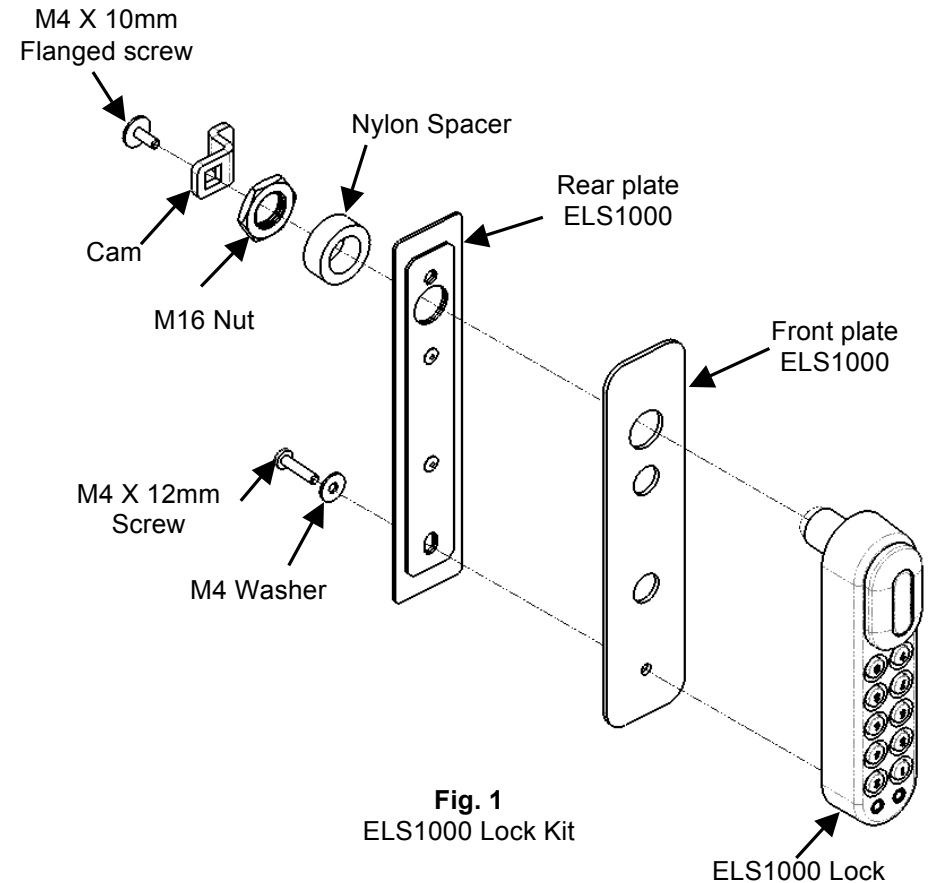


Fig. 1
ELS1000 Lock Kit

ELS1000 Lock



CHATSWORTH PRODUCTS

IIS-739224, 11/22/13, Rev. 1, CPI/

800-834-4969 (USA & Canada) • www.chatsworth.com • techsupport@chatsworth.com

For international phone numbers, see our website or contact CPI Tech Support.

This drawing contains proprietary and confidential information and is protected by U.S. and international law. Unauthorized reproduction, disclosure or use of the drawing or the information therein is expressly forbidden except as agreed to in writing by Chatsworth Products, Inc.

Installation Instructions

GLOBALFRAME® FRONT DOOR SINGLE-POINT LATCH ELS1000/ELS1500

1. Install the Catch in the upper cut-out in the frame opposite the hinges, fastening with M6x12mm screw.(Fig.2)

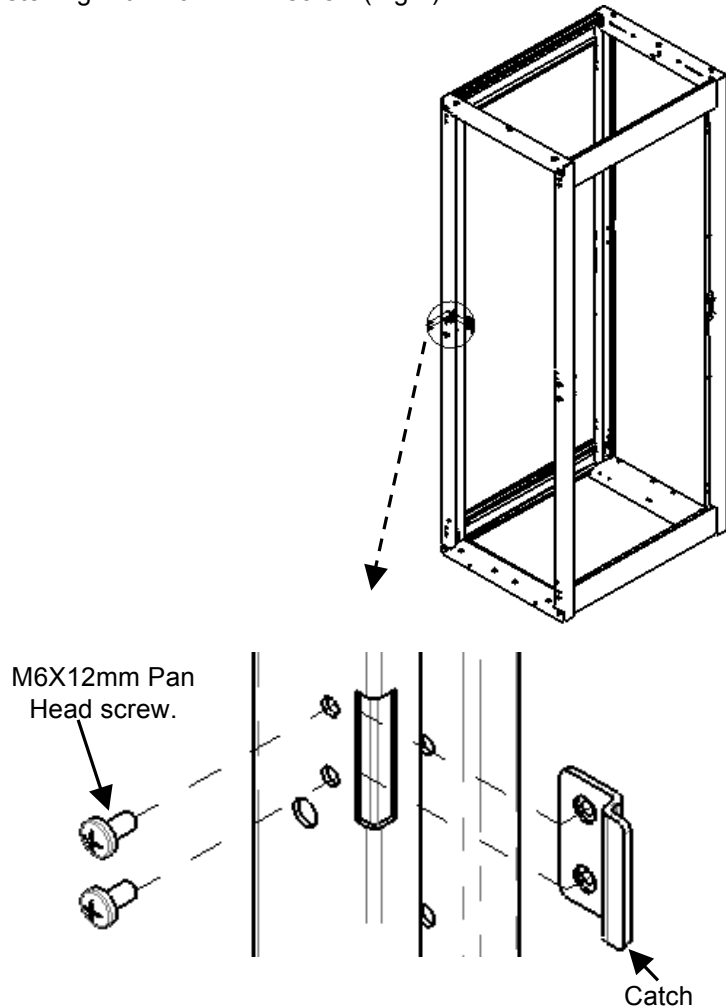


Fig. 2
Catch installation on
Frame ELS1000

2. Place the ELS1000 lock into the Front plate border on the Global Frame door with the lock spindle orientation up and rear plate from other side of door.(Fig.3)
3. Secure the ELS1000 lock to the rear plate with M4 X 12mm screw & M16 Nut while holding the front plate & door in between.(Fig.3)

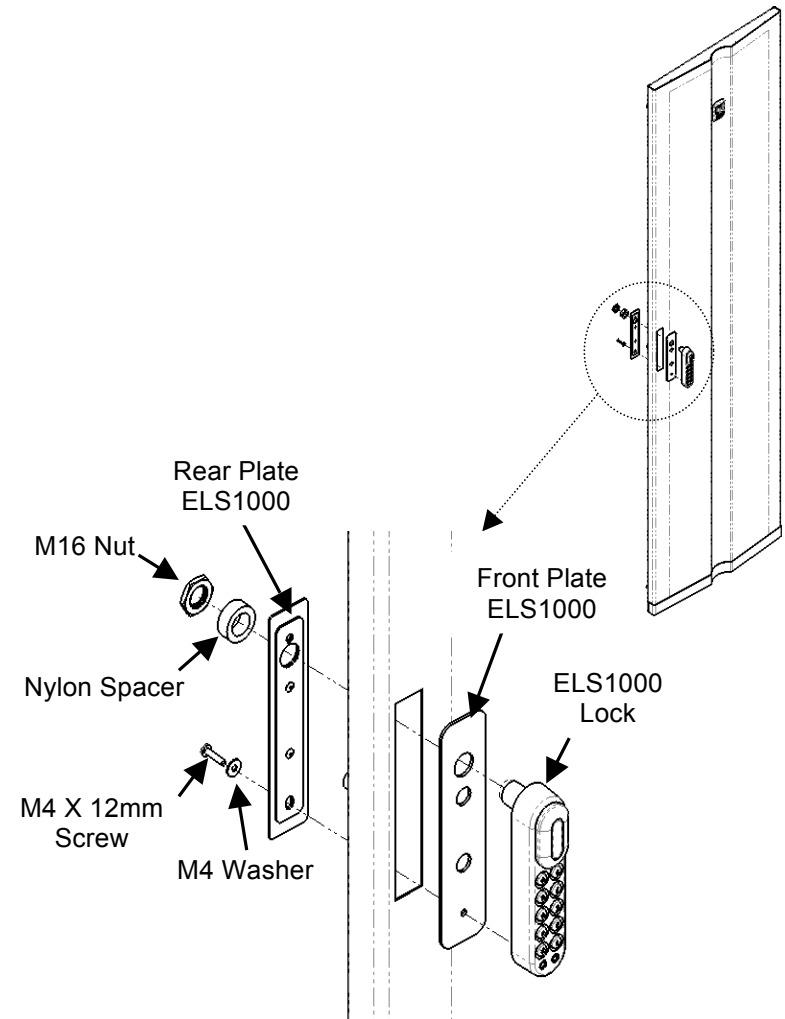


Fig. 3
ELS1000 Lock Kit Installation

Installation Instructions

GLOBALFRAME® FRONT DOOR SINGLE-POINT LATCH ELS1000/ELS1500

- Placing the cam over the lock spindle, fasten the cam with M4 X 10mm Flanged screw (Fig.4)

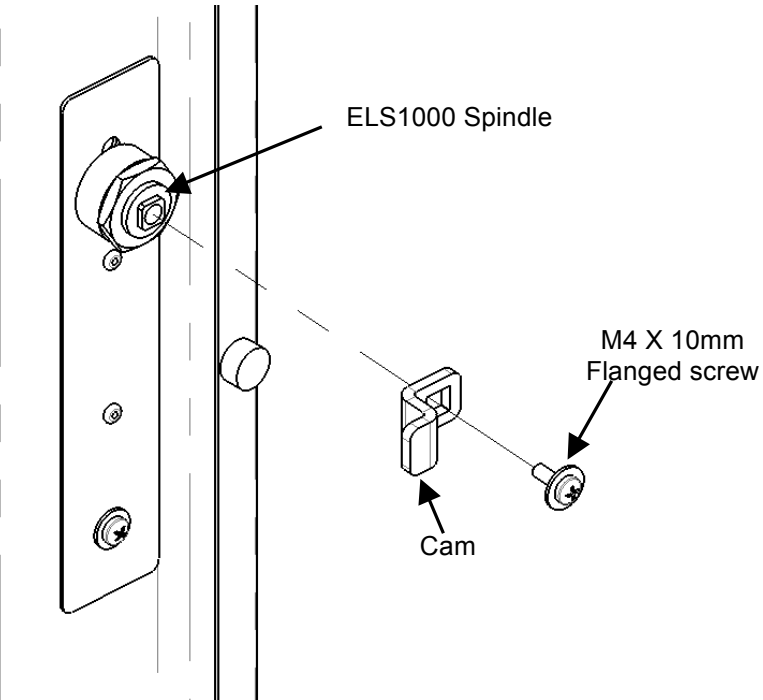


Fig. 4
ELS1000 Lock Cam Installation

ELS1500 Assembly Sequence:

Install the Single point ELS1500 latch (Fig.5) on to GlobalFrame Front door.

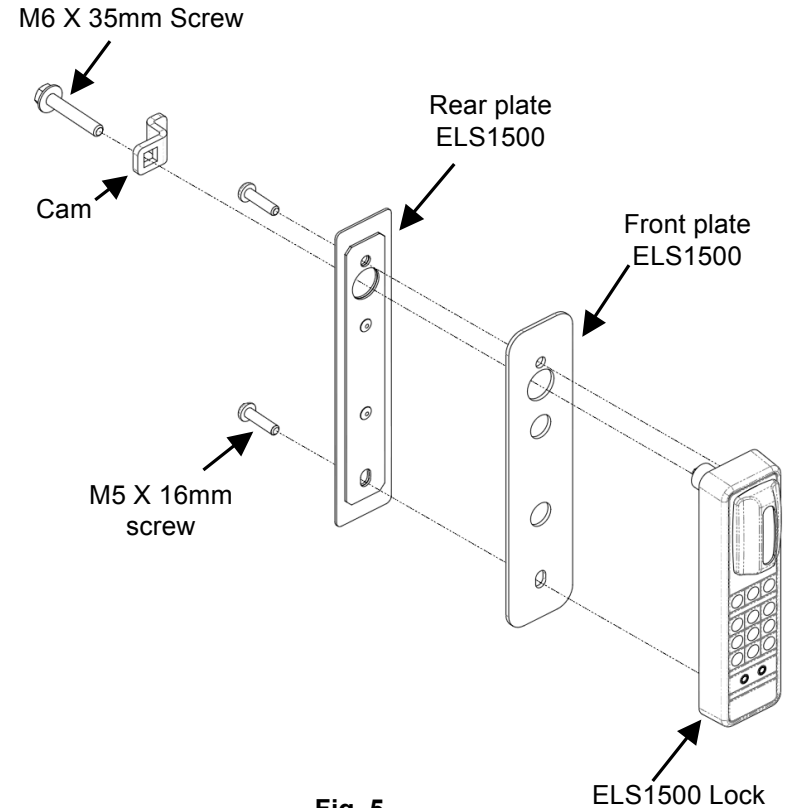


Fig. 5
ELS1500 Lock Kit

Installation Instructions

GLOBALFRAME® FRONT DOOR SINGLE-POINT LATCH ELS1000/ELS1500

1. Install the Catch in the upper cut-out in the frame opposite the hinges, fastening with M6x12mm screw.(Fig.6)

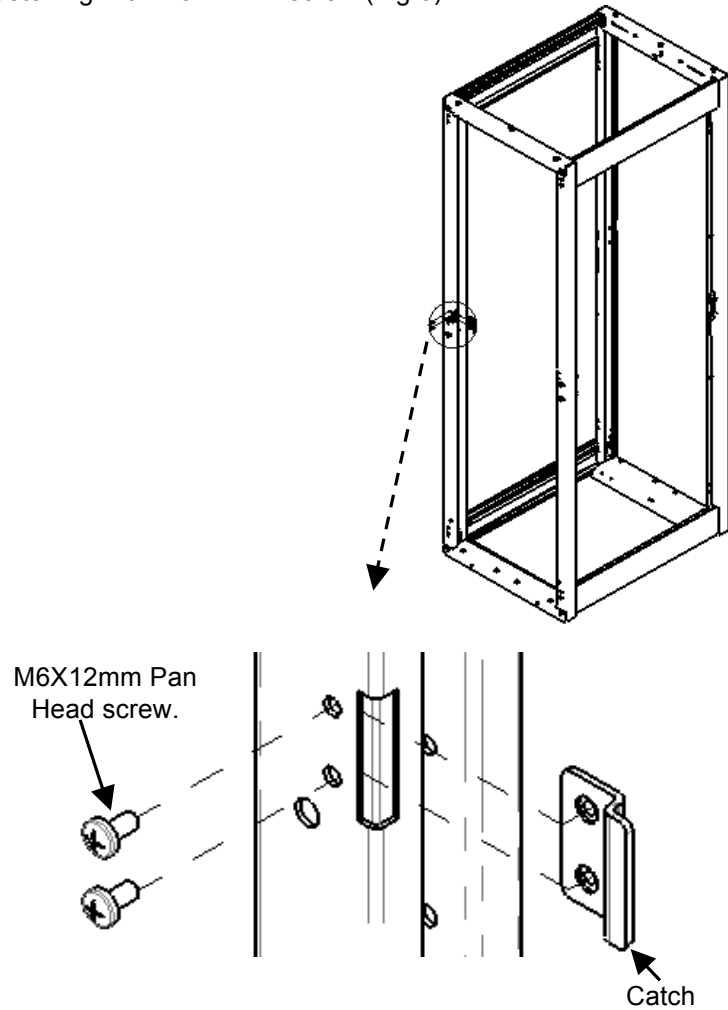


Fig. 6
Catch installation on
Frame ELS1500

2. Place the ELS1500 lock into the Front plate border on the Global Frame door with the lock spindle orientation up and rear plate from other side of door.(Fig.7)
3. Secure the ELS1500 lock to the rear plate with M5 X 16mm screw while holding the front plate & door in between.(Fig.6)

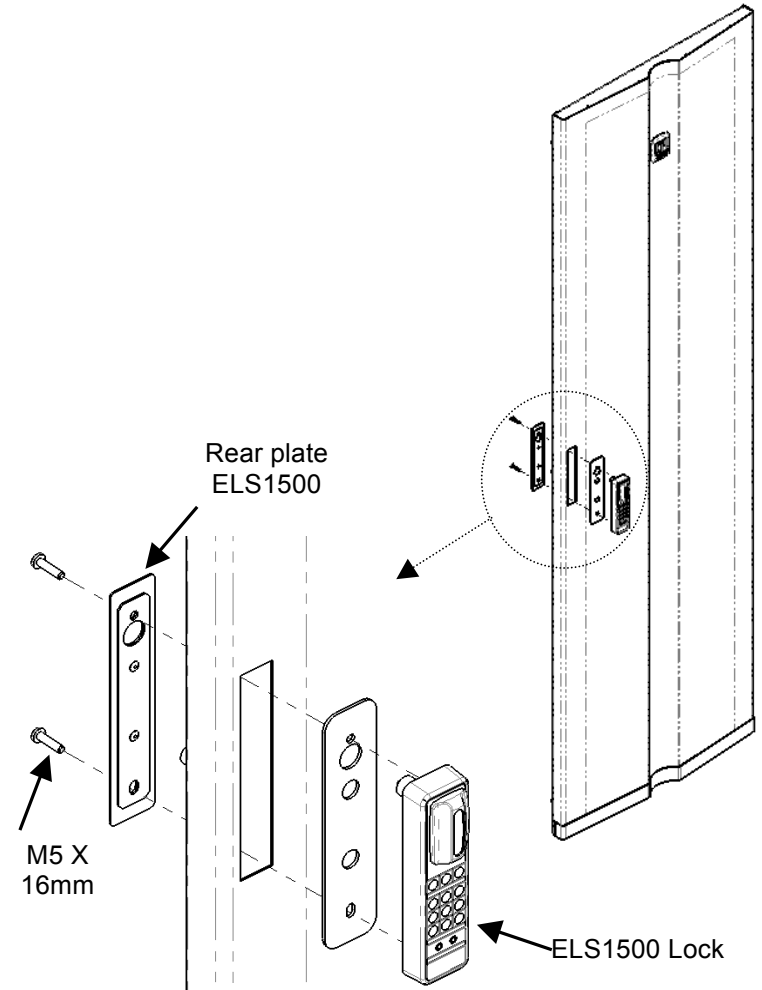


Fig. 7
ELS1500 Lock Kit Installation

Installation Instructions

GLOBALFRAME® FRONT DOOR SINGLE-POINT LATCH ELS1000/ELS1500

4. Place the cam over the lock spindle & fasten the cam with M6 X 35mm screw

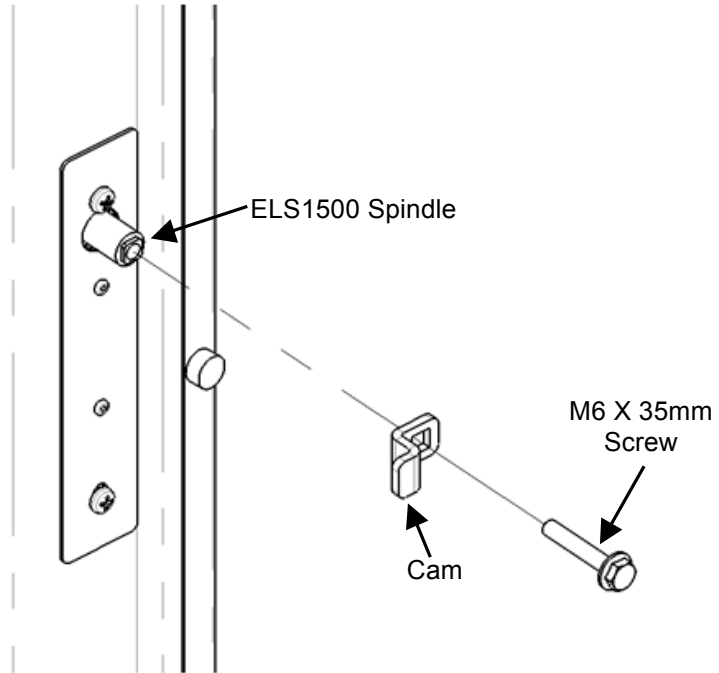


Fig. 8
ELS1500 Lock Cam Installation