

Installation Instructions

DOUBLE DOOR THREE-POINT ELS1000/ELS1500 LOCK

Included Hardware:

ELS1000 Master Kit:

M4 Washer, 1 ea.
M4X12mm screw 1 ea.
M10 Washer, 1 ea.
M6 X11mm Clevis Pin, 2 ea.
6 mm E-ring Ext., 2 ea.

ELS1000 latch box contains a set of standard fasteners, please select the items below from the box:

M4X10mm Flanged Screw: 1 ea.

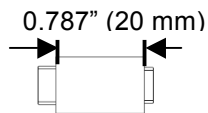
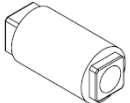
M16 Nut: 1 ea.



ELS1500 Master Kit:

M10 washer, 1 ea.
M5 X 16mm screw, 2 ea.
M6 X 35mm Hex screw, 1 ea.
M6 X 11mm Clevis Pin, 2 ea.
6 mm E-ring Ext., 2 ea.

Please select the spindle shown below from the ELS1500 latch box:



Tools Required:

#2 Phillips screw driver
19 mm Wrench
10 mm wrench

ELS1000/1500 Lock Preparation:

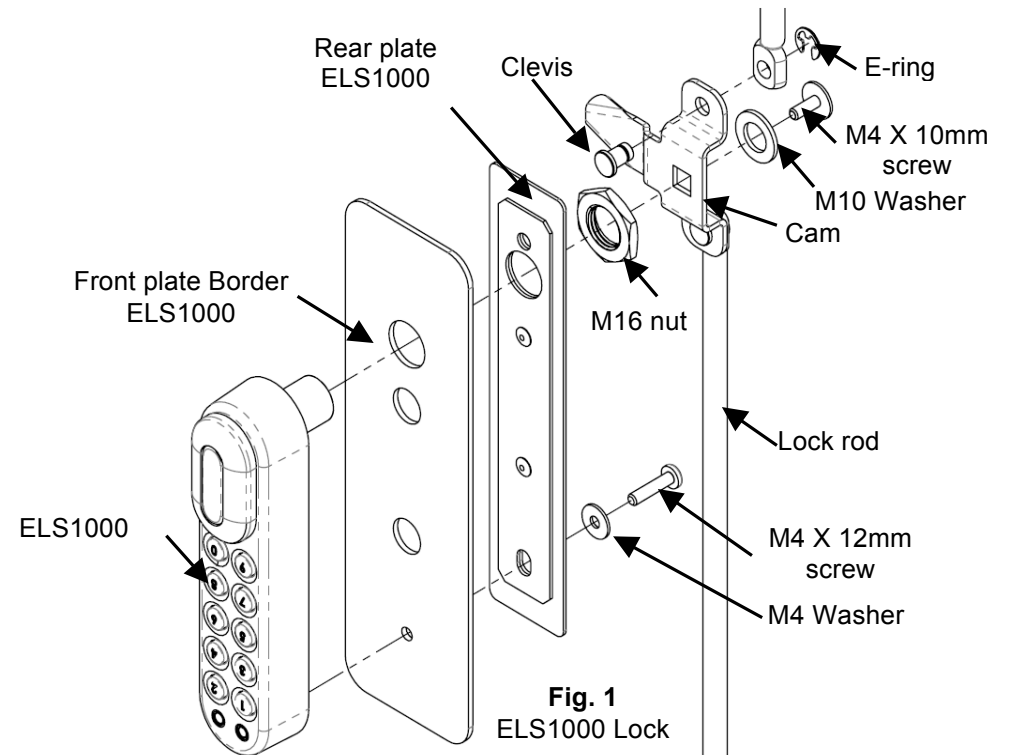
Locate the batteries from the lock box and install in the latch before assembly. Please refer to the following Instruction documents for configuring the locks: IIS-739226 (ELS1000), ISS-739228 (ELS1500).

Installation Notes:

- The cabinet door must be disassembled in order to install or remove a two-point latch, because the lock rods extend beyond the top and bottom of the door.

ELS1000 Assembly Sequence:

1. Install the Three point ELS1000 (Fig. 1) onto double door.



IIS-739225, 11/22/13, Rev. 1, CPI/

800-834-4969 (USA & Canada) • www.chatsworth.com • techsupport@chatsworth.com

For international phone numbers, see our website or contact CPI Tech Support.

This drawing contains proprietary and confidential information and is protected by U.S. and international law. Unauthorized reproduction, disclosure or use of the drawing or the information therein is expressly forbidden except as agreed to in writing by Chatsworth Products, Inc.



CHATSWORTH PRODUCTS

Installation Instructions

DOUBLE DOOR THREE-POINT ELS1000/ELS1500 LOCK

2. Place the ELS1000 with the Front plate border on the double door with spindle orientation up (Fig. 2)
3. Position the Rear plate from inside the double door over the latch cut-out and fasten to the lock with M4X12mm screw & M4 washer for ELS1000 lock (Fig. 2).
4. Place the M16 Nut over the lock Spindle (Fig. 2).

5. Install the 3 point cam into the Lock Spindle with M4X10mm flanged screw & M10 washer on ELS1000 spindle (Fig. 3).
6. Insert the lock rods through the guides, with the short rod at top and the long rod at bottom of the door (Fig. 3).
7. Insert the cam assembly pins through the short rod (on top) and the long rod (on bottom), then through the other half of the cam assembly (Fig. 3) and lock with e-ring.

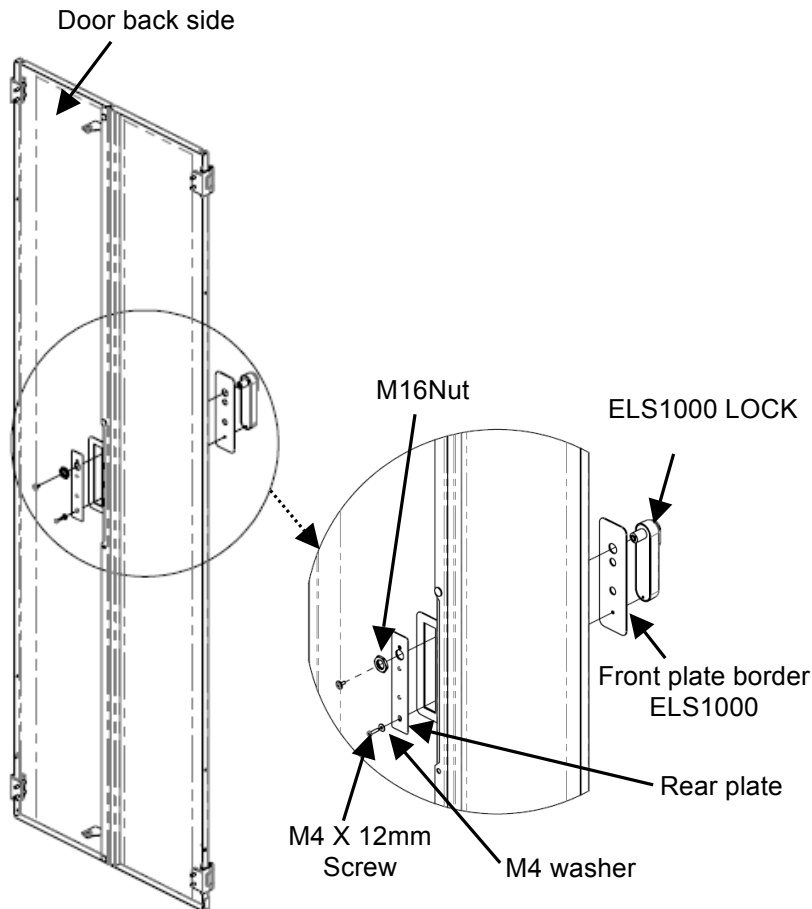


Fig. 2
ELS1000 lock Installation

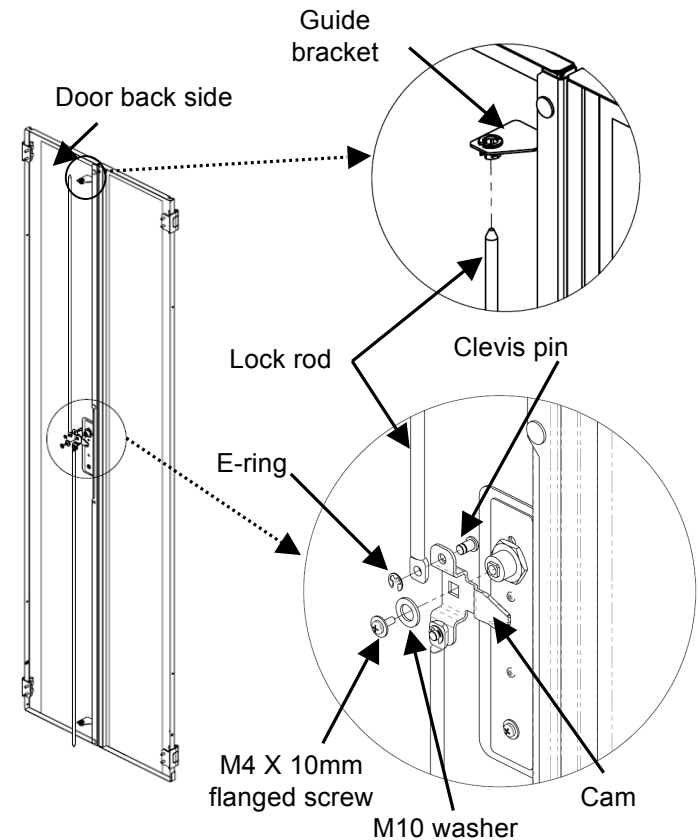


Fig. 3
ELS1000 Cam and
Lock rod installation

Installation Instructions

DOUBLE DOOR THREE-POINT ELS1000/ELS1500 LOCK

ELS1500 Assembly Sequence:

1. Install the Three point ELS1000 (Fig. 4) onto double door.

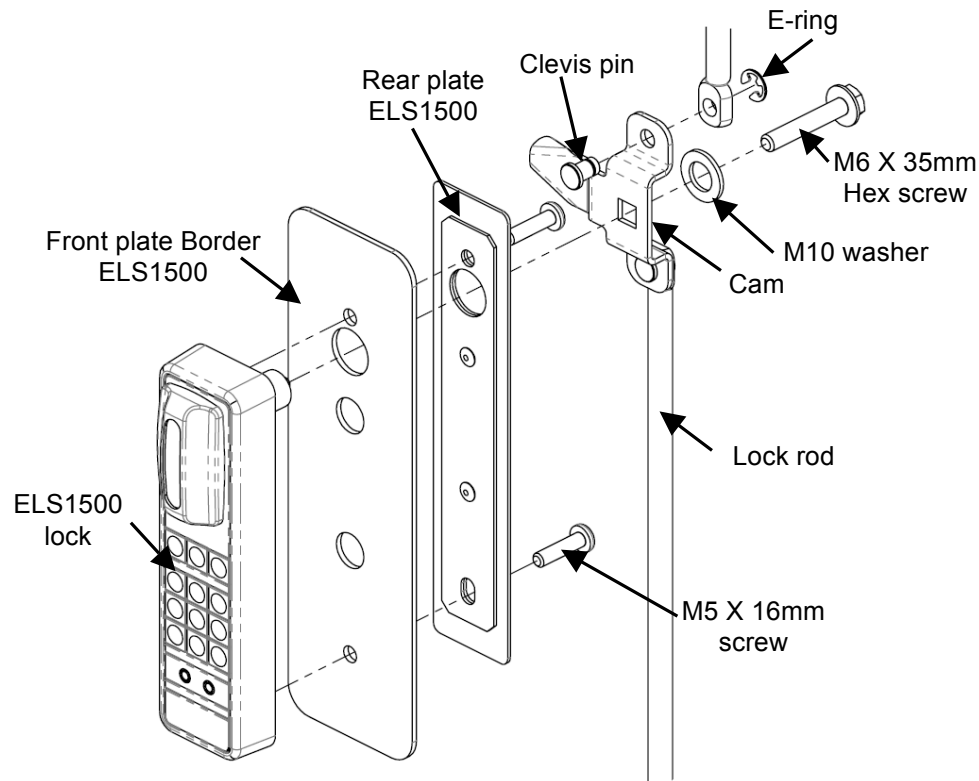


Fig. 4
ELS1500 Lock

2. Place the ELS1500 with the Front plate border on the double door with spindle orientation up (Fig. 5)
3. Position the Rear plate inside the double door over the latch cut-out and fasten to the lock with M5X16mm screw (Fig. 5).

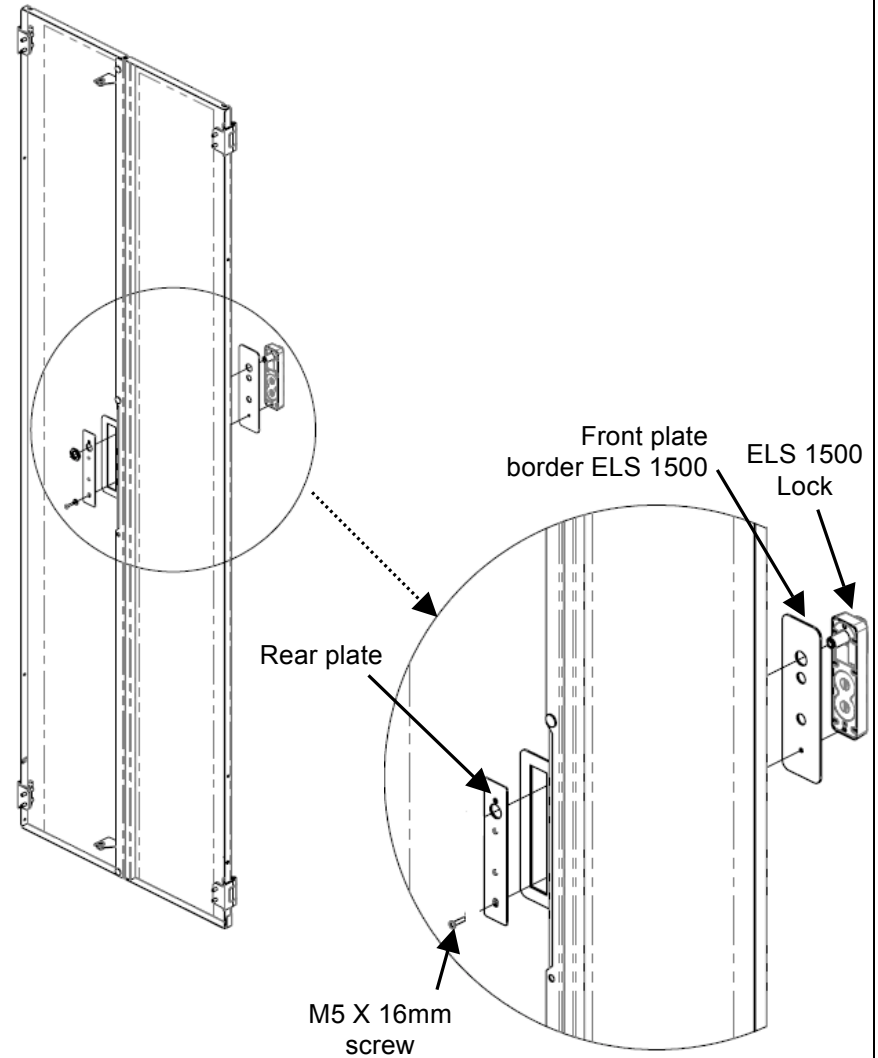


Fig. 5
ELS1500 lock installation

Installation Instructions

DOUBLE DOOR THREE-POINT ELS1000/ELS1500 LOCK

4. Insert the lock rods through the guides, with the short rod at the top and the long rod at the bottom of the door (Fig. 6).

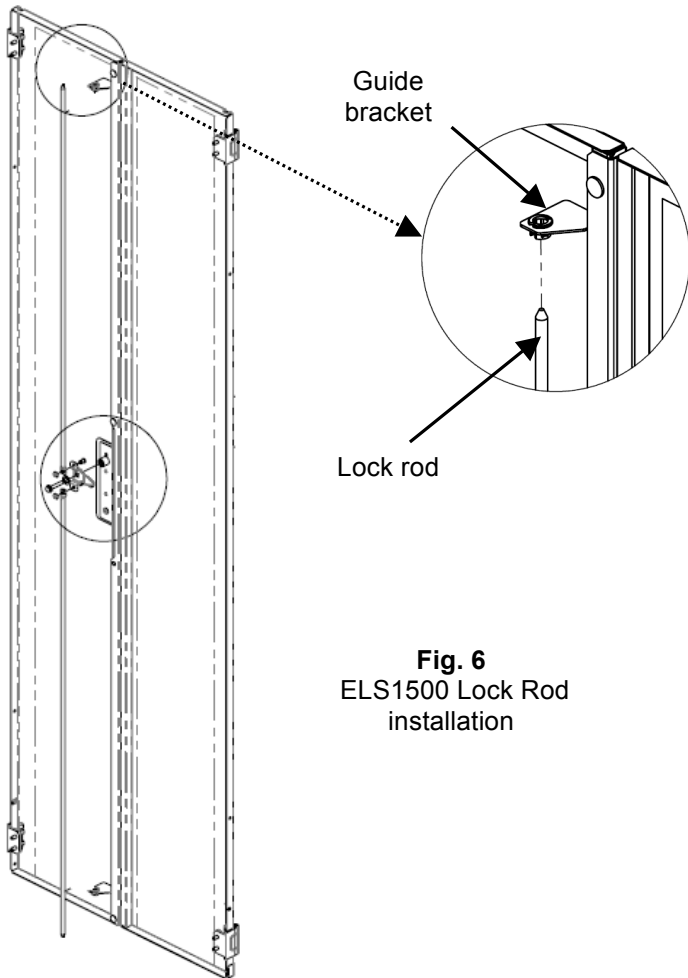


Fig. 6
ELS1500 Lock Rod
installation

5. Install the 3 point cam into the Lock Spindle with M6 X 35mm Hex screw & M10 washer on ELS1500 spindle (Fig. 7).
6. Insert the cam assembly pins through the short rod (on top) and the long rod (on bottom), then through the other half of the cam assembly (Fig. 7) and lock with e-ring.

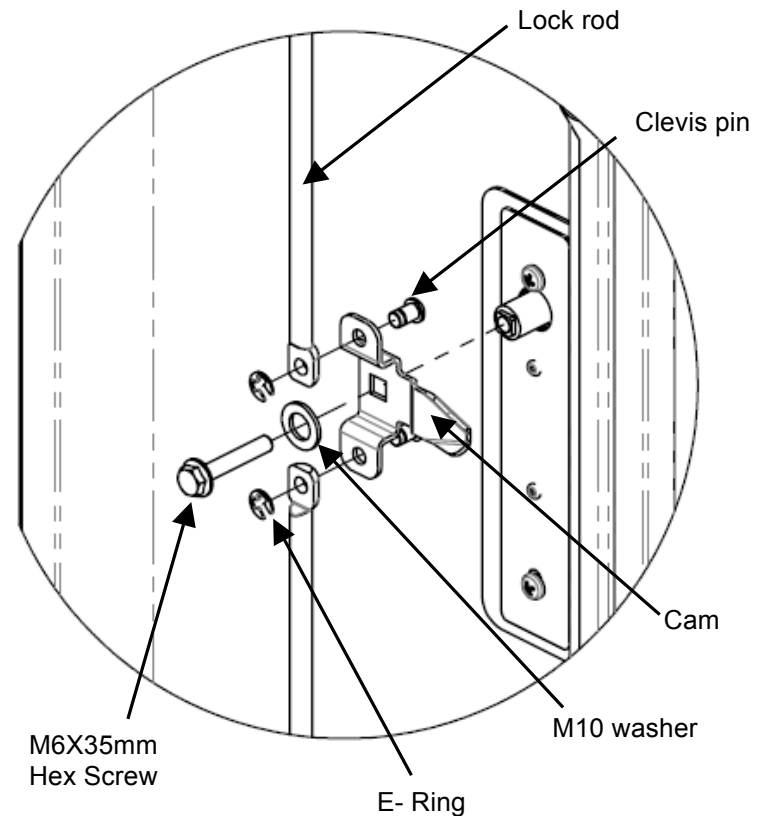


Fig. 7
ELS1500 Lock