

# Installation Instructions

## N-SERIES TERAFRAME FRONT DOOR TWO-POINT KEYED LOCK KIT

### Included Hardware:

- M4 X 10mm Taptite screw, 2 ea.
- M4 star Washer, 2 ea.
- M10 Washer, 1 ea.
- M6 X 11mm Clevis Pin, 2 ea.
- 6 mm E-ring Ext., 2 ea.

### Tools Required:

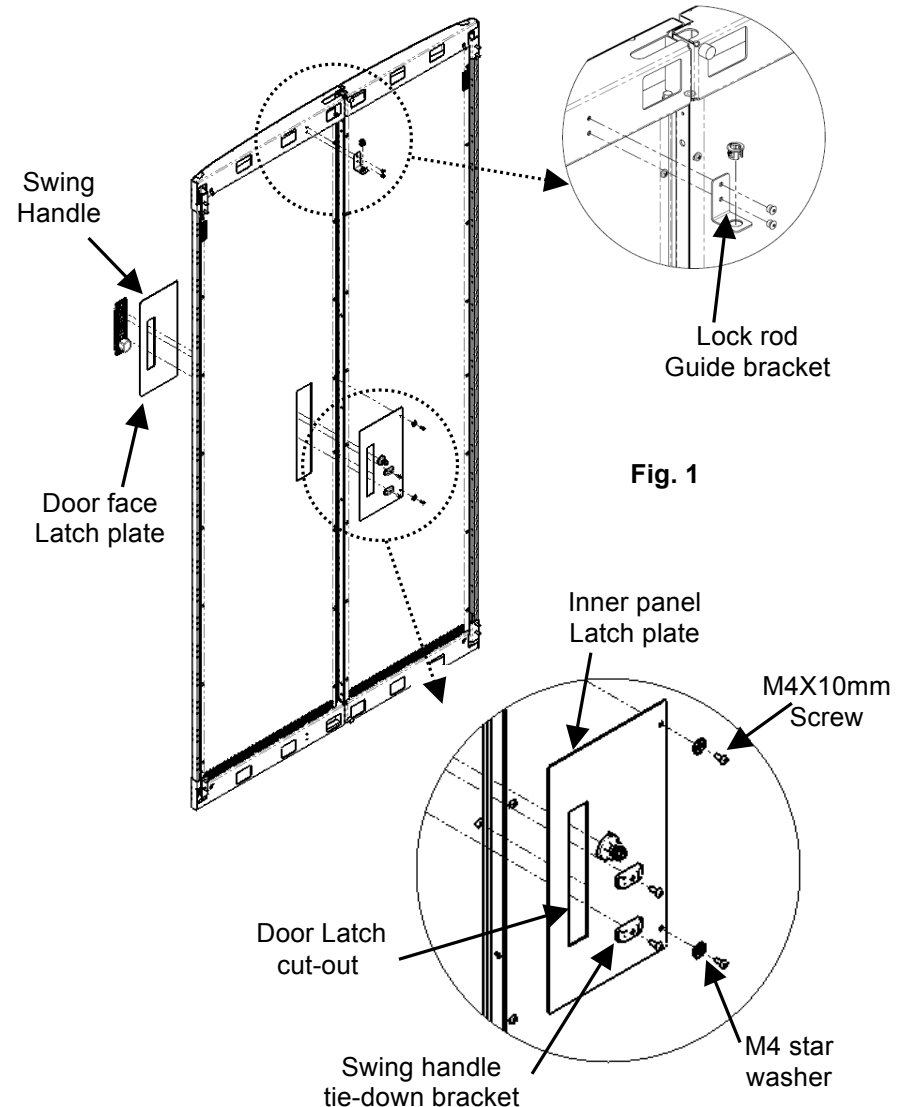
- #2 Phillips screw driver
- Rivet gun

### Installation Notes:

- The cabinet door must be in the opened position in order to install or remove a two-point latch.

### Assembly Sequence

1. Install lock rod guides in the top and bottom door brackets. Do not insert the lock rods yet (Fig. 1).
2. Position the inner panel latch plate inside the door over the latch cut-out and fasten with two M4X10mm screws with an M4 star washer under each screw head. The star washer provides an electrical bonding point (Fig. 1).
3. Place the swing handle into the door face latch plate with the key hole down (Fig. 1)
4. Position the swing handle and latch plate subassembly on the outside of the door against the inner panel latch plate with the cam post and lock cylinder protruding through the inner panel latch plate.
5. Secure the swing handle to the inner panel latch plate with the swing handle tie-down bracket and 2 screws in the top and bottom holes (Fig.1).



CHATSWORTH PRODUCTS

IIS-739371, 01/09/14, Rev. 1, CPI/JAG

800-834-4969 (USA & Canada) • [www.chatsworth.com](http://www.chatsworth.com) • [techsupport@chatsworth.com](mailto:techsupport@chatsworth.com)

For international phone numbers, see our website or contact CPI Tech Support.

*This drawing contains proprietary and confidential information and is protected by U.S. and international law. Unauthorized reproduction, disclosure or use of the drawing or the information therein is expressly forbidden except as agreed to in writing by Chatsworth Products, Inc.*

# Installation Instructions

## N-SERIES TERAFRAME FRONT DOOR TWO-POINT KEYED LOCK KIT

6. Place the M10 washer over the cam and push the cam onto the cam post. Check swing handle operation direction (Fig. 2).

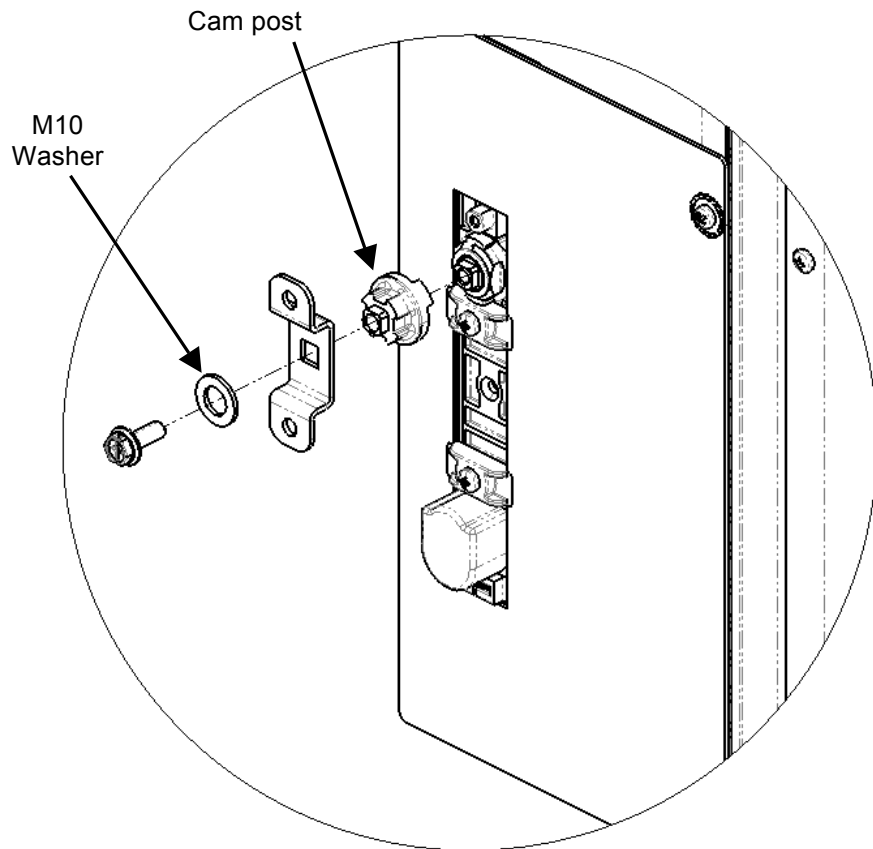


Fig. 2

7. To change the direction, remove the cam, rotate the cam post, and reattach (Fig. 3).

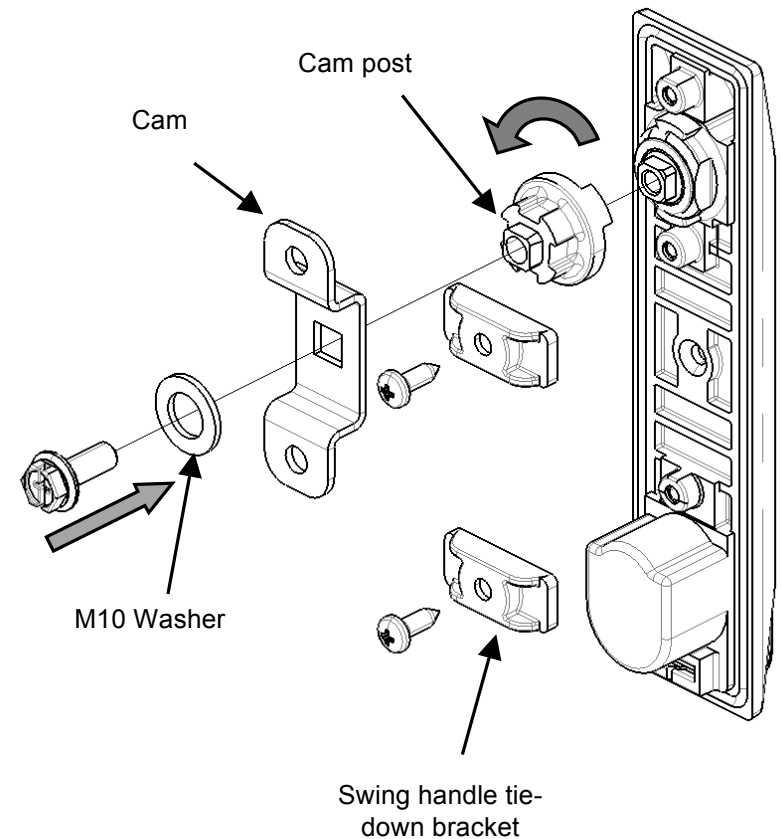


Fig. 3  
Latch back side view

# Installation Instructions

## N-SERIES TERAFRAME FRONT DOOR TWO-POINT KEYED LOCK KIT

8. Insert the lock rods through the guides with the short rod on top and the long rod on bottom (Fig. 4).
9. Insert the cam assembly pins through the short rod (on top) and the long rod (on bottom), then through the other half of the cam assembly and lock it using an E-ring (Fig. 4).
10. Attach the cam assembly to the cam post with one M6 X 16 mm combo hex head screw.

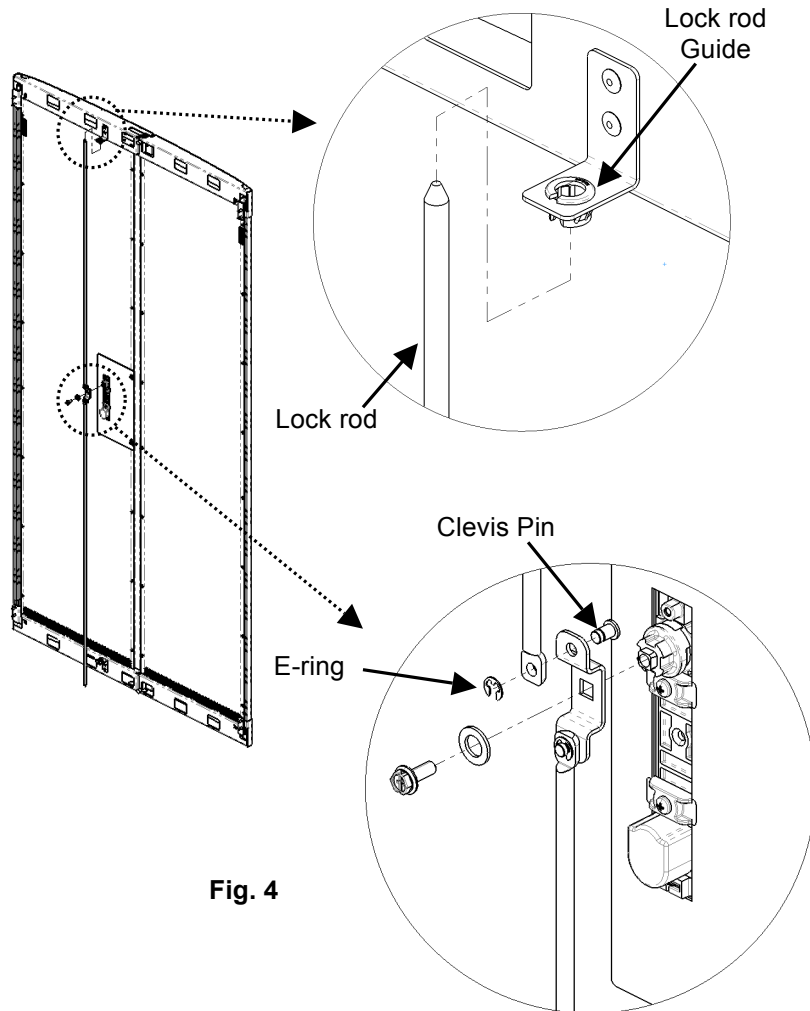


Fig. 4

11. Insert top and bottom lock rod grommets into respective frame top and bottom laterals (Fig.5)

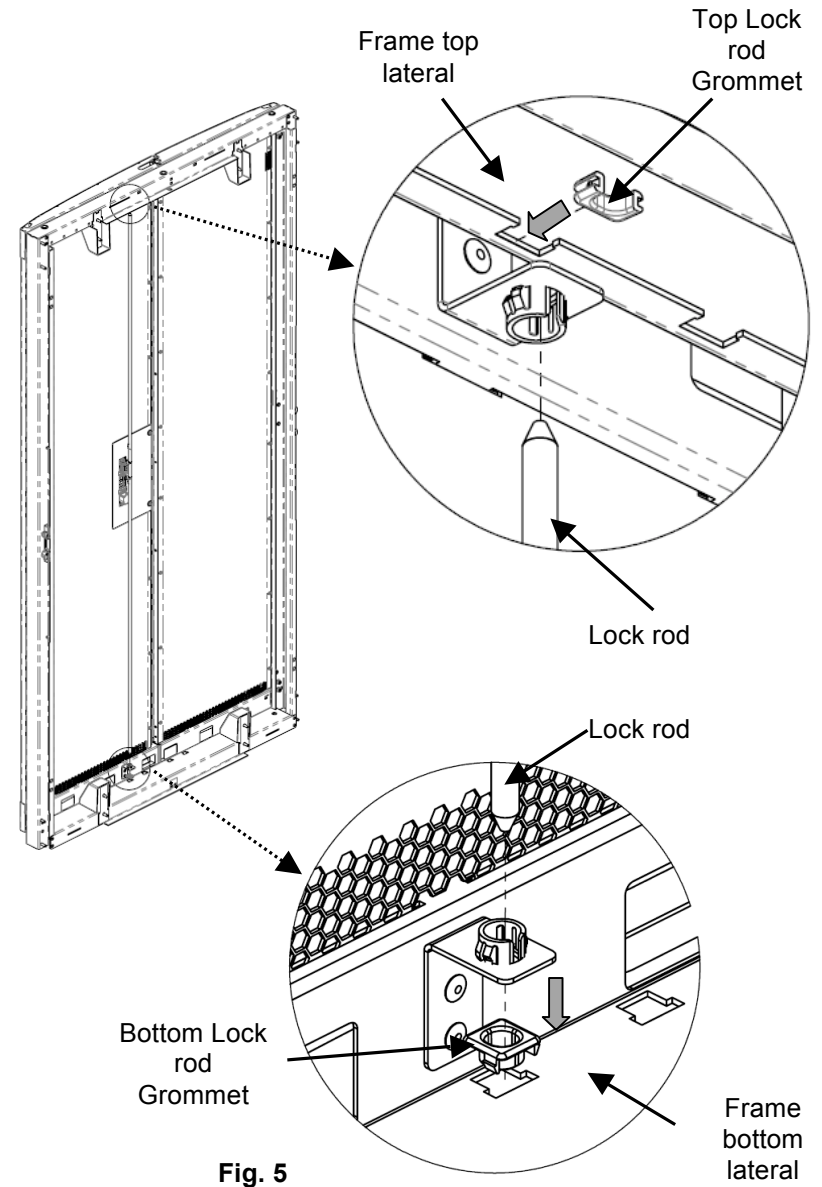


Fig. 5