

Installation Instructions

GLOBALFRAME DOUBLE DOOR 2-POINT COMBO LATCH

Included Hardware:

- M10 Washer, 1 ea.
- M6 X 11mm Clevis Pin, 2 ea.
- 6 mm E-ring Ext., 2 ea.

Tools Required

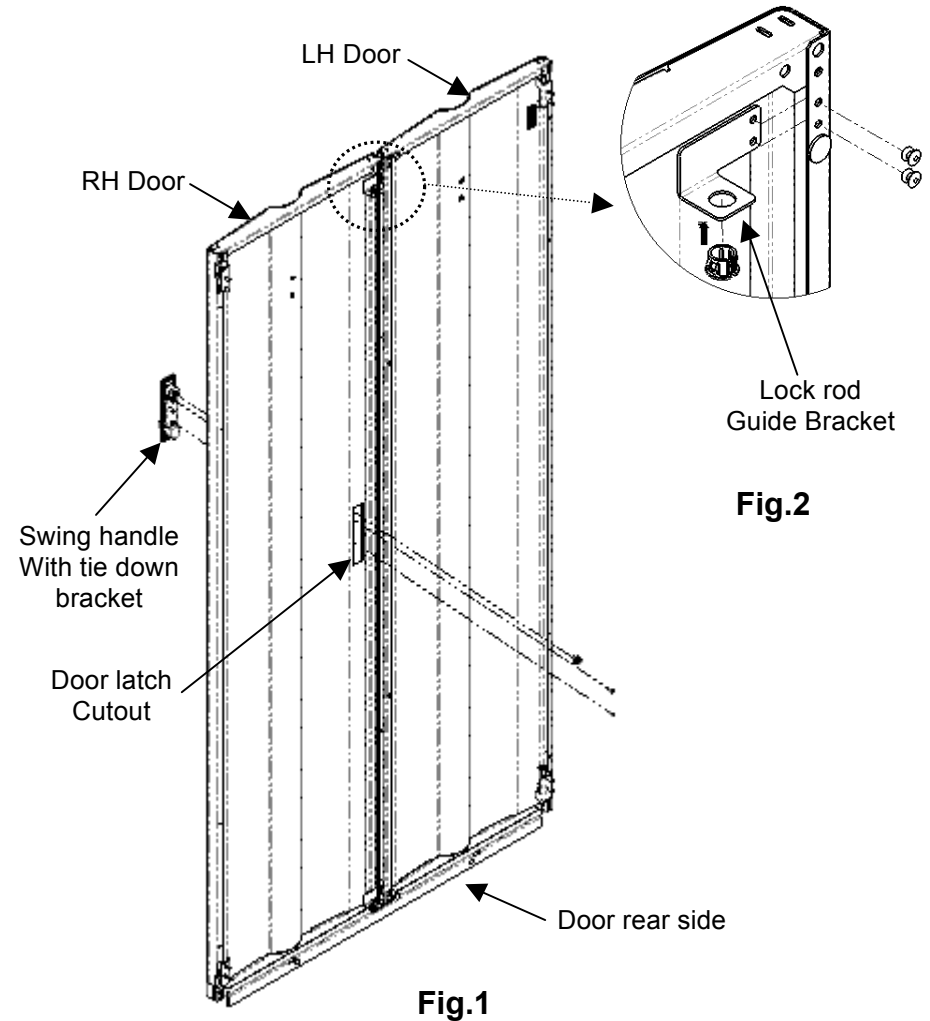
- #2 Phillips screw driver.

Installation Notes:

- The cabinet door must be in the opened position in order to install or remove a two-point latch.

Assembly Sequence

1. Place the swing handle into the door latch cutout from front side with key hole pointing down (Fig.1).
2. Secure the swing handle to the door panel using the swing handle tie down bracket and two screws in the top and bottom holes (Fig.1).
3. Install lock rod guide bracket in the RH door top and bottom locations as shown in Fig.2, do not insert the lock rods yet.



CHATSWORTH PRODUCTS

IIS-739431, 01/09/14, Rev. 1, CPI/JAG

800-834-4969 (USA & Canada) • www.chatsworth.com • techsupport@chatsworth.com

For international phone numbers, see our website or contact CPI Tech Support.

This drawing contains proprietary and confidential information and is protected by U.S. and international law. Unauthorized reproduction, disclosure or use of the drawing or the information therein is expressly forbidden except as agreed to in writing by Chatsworth Products, Inc.

Installation Instructions

GLOBALFRAME DOUBLE DOOR 2-POINT COMBO LATCH

4. Insert the lock rods through the guide bracket with the short rod at top and the long rod at bottom (Fig.3).
5. Place the M10 washer over the Cam, push the cam onto the cam post and check swing handle operation direction (Fig.4).
6. Insert the cam assembly pins through the short rod (on top) and the long rod (on bottom), then through the other half of the cam assembly and lock it using an E-ring (Fig.4).
7. Attach the cam assembly to the cam post with one M6 X 16 mm combo hex head screw.

8. Insert top and bottom lock rod grommets into respective frame top and bottom laterals (Fig.5)

