

Installation Instructions

Z4-SERIES SEISMICFRAME REAR DOOR 2-POINT LATCH

Included Hardware:

M10 Washer, 1 ea.
M6 X 11mm Clevis Pin, 2 ea.
6 mm E-ring Ext., 2 ea.

Tools Required:

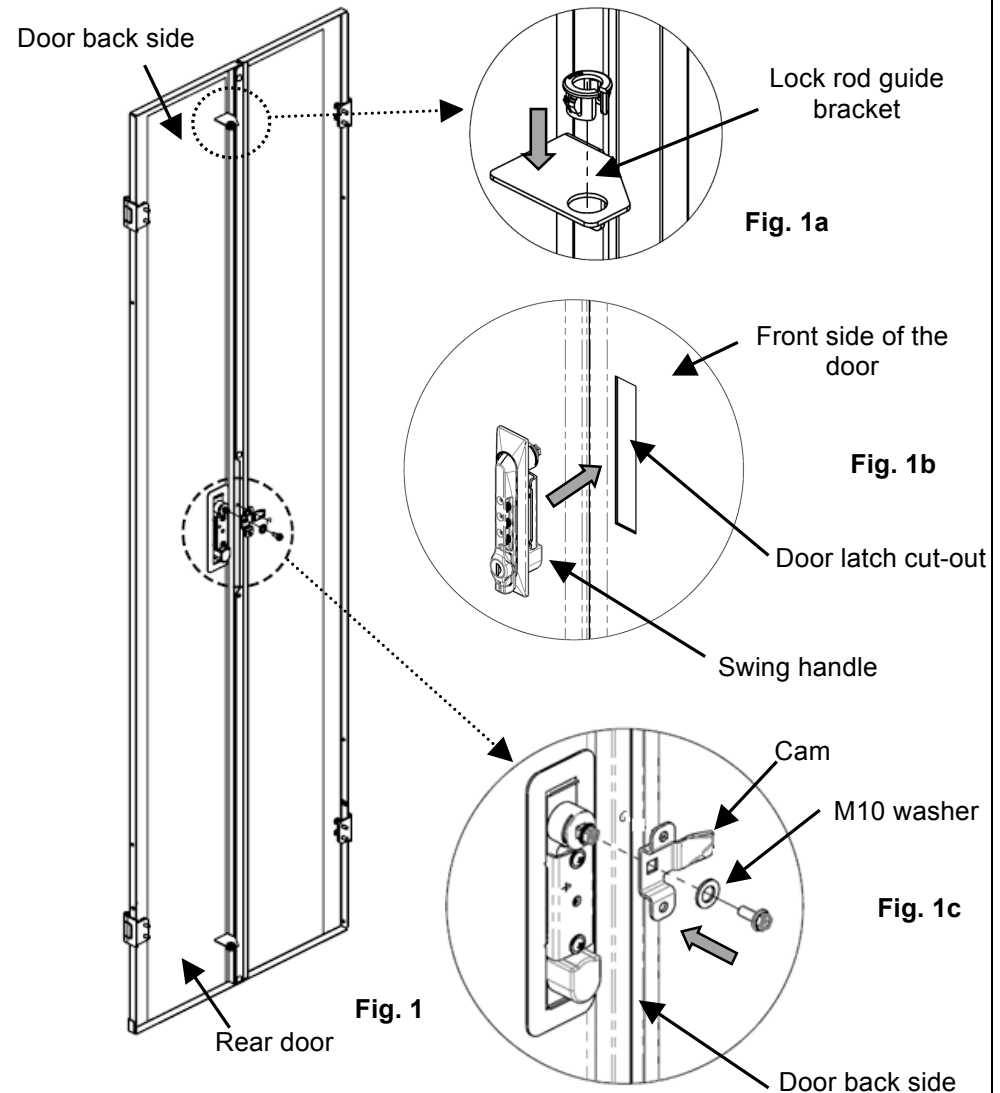
#3 Phillips screw driver.

Installation Notes:

- The cabinet door must be disassembled in order to install or remove a two-point latch, because the lock rods extend beyond the top and bottom of the door.

Assembly Sequence

1. Install lock rod guides in the top and bottom door laterals. Do not insert the lock rods yet (Fig. 1a).
2. Place the swing handle into the door face latch plate with the key hole down (Fig. 1b).
3. Position the swing handle and on the outside of the door against the cam post and lock cylinder protruding through the inner panel latch plate.
4. Secure the swing handle to the inner panel latch plate with the swing handle tie-down bracket and 2 screws in the top and bottom holes (Fig.2).



IIS-714455, 4/3/14, Rev. 1, CPI/BMO
800-834-4969 (USA & Canada) • www.chatsworth.com • techsupport@chatsworth.com
For international phone numbers, see our website or contact CPI Tech Support.

This drawing contains proprietary and confidential information and is protected by U.S. and international law. Unauthorized reproduction, disclosure or use of the drawing or the information therein is expressly forbidden except as agreed to in writing by Chatsworth Products, Inc.

Installation Instructions

Z4-SERIES SEISMICFRAME REAR DOOR 2-POINT LATCH

5. Place the cam onto the cam post as shown and check swing handle operation direction (Fig. 2).
6. Insert the lock rods through the guides, with the short rod at the top and the long rod at the bottom (Fig. 2).
7. Insert the cam assembly pins through the short rod (on top) and the long rod (on bottom), then through the other half of the cam assembly (Fig. 2).
8. Attach the cam assembly to the cam post with one M6 X 16 mm combo hex head screw and M10 washer.

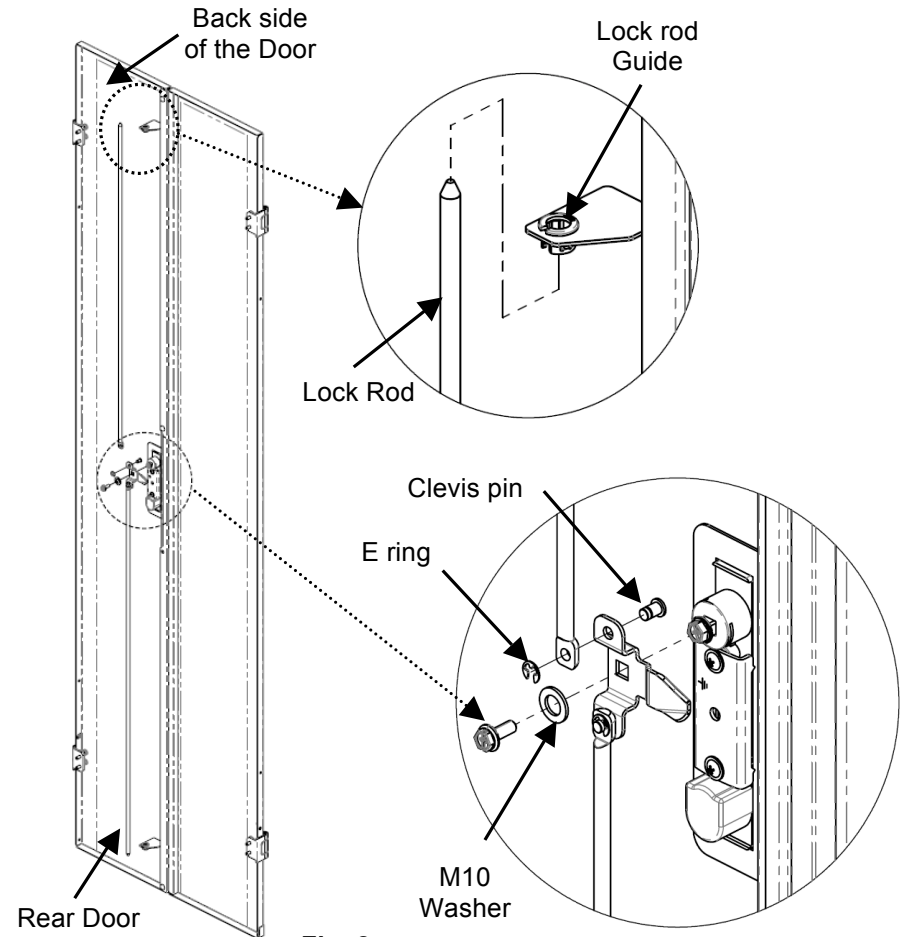


Fig. 2

Installation Instructions

Z4-SERIES SEISMICFRAME REAR DOOR 2-POINT LATCH

Combination Lock:

To open the door when your cabinet is first received:

1. Dial in the factory-set combination "000".
2. Turn the wing knob 180 degrees counterclockwise until the arrow points up (unlocked sign). Lift the handle and turn.
3. To relock, return the handle to the closed position, turn the wing knob 18 degrees clockwise to lock, and then scramble the combination.

To change the combination, the existing code must be known. The factory-set combination is "000".

1. Be sure that the key lock is in the locked position (arrow on the wing knob points down).
2. Dial in the existing combination.
NOTE: If the combination is unknown, you can use the key to unlock the door and gain access to the cabinet, but the combination cannot be reset.
3. Turn the wing knob 180 degrees + 15 degrees counterclockwise.
4. Set the new combination numbers.
5. Turn the wing knob 15 degrees clockwise. The new combination is now set.
6. Turn the wing knob 180 degrees clockwise to lock, and then scramble the combination numbers.

