

# Installation Instructions

## DISTRIBUTIONFRAME CABINET EQUIPMENT RAIL KIT

### Safety Information



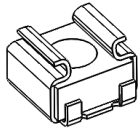
**WARNING:** Improper use of this product may lead to serious injury. Read and understand all instructions for proper installation and use of this product.

### Included Hardware

6 each  
M6X12 Phillips screw



6 each  
M6 cage nuts



### Tools Required

#2 Phillips screwdriver

### Assembly Sequence

1. The equipment rail attaches to the cabinet slides (Figure 1).
2. Install cage nuts in the appropriate locations on each slide (example shown in Figure 2). Cage nuts are installed on the back side of the slides using a screwdriver or cage nut installation tool as shown in Figure 3.

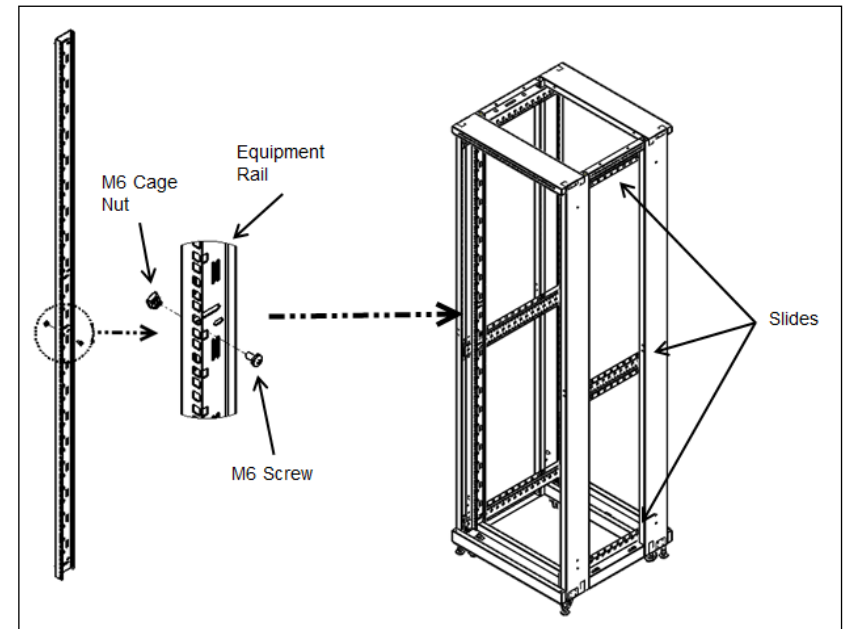


Figure 1

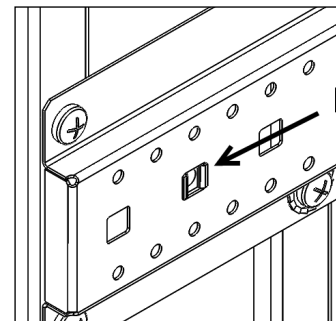


Figure 2

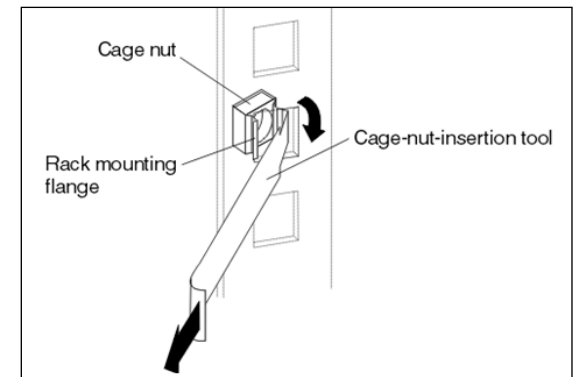


Figure 3



IIS-725858, 06/24/2014, Rev. 1, CPI/PEH  
800-834-4969 (USA & Canada) • [www.chatsworth.com](http://www.chatsworth.com) • [techsupport@chatsworth.com](mailto:techsupport@chatsworth.com)  
For international phone numbers, see our website or contact CPI Tech Support.

*This drawing contains proprietary and confidential information and is protected by U.S. and international law. Unauthorized reproduction, disclosure or use of the drawing or the information therein is expressly forbidden except as agreed to in writing by Chatsworth Products, Inc.*

# Installation Instructions

## IDF CABINET EQUIPMENT RAIL KIT

3. Position equipment mounting rail and fasten by inserting screws into cage nuts (Figure 4). RMU holes should be positioned closest to the door as shown in Figure 5.
4. Adjust position as needed to ensure correct placement of equipment rail and tighten screws to approximately 38 in-lbs (4.3 N-m).
5. Before use, install M5 grounding screws and serrated washers included in cabinet grounding hardware per IIS-725842.

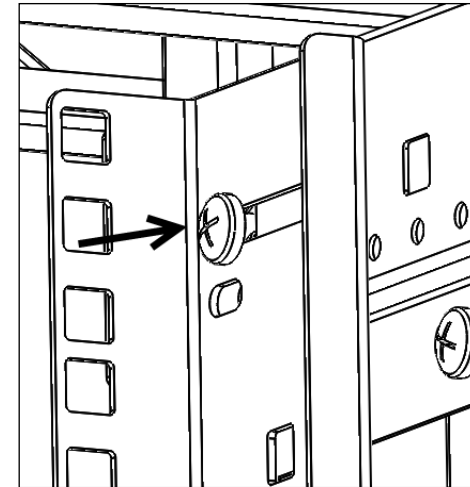


Figure 4

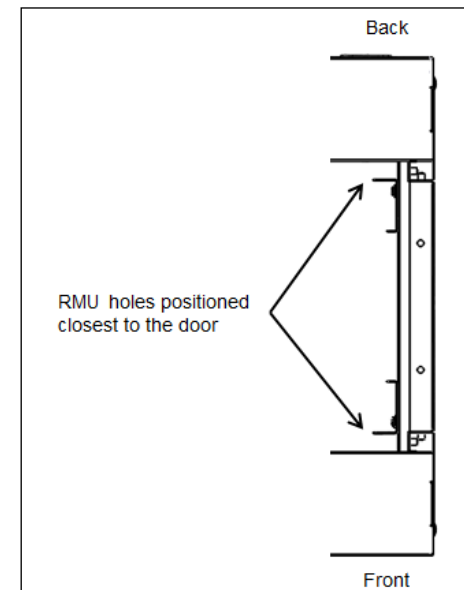


Figure 5

# Installation Instructions

## IDF CABINET EQUIPMENT RAIL KIT