

Installation Instructions

HD TERAFRAME NARROW BAYING KIT

Tools Required
13mm Socket Wrench

Parts list
2 Baying brackets
4 M8X25mm bolts
4 M8 Drop-In Nuts

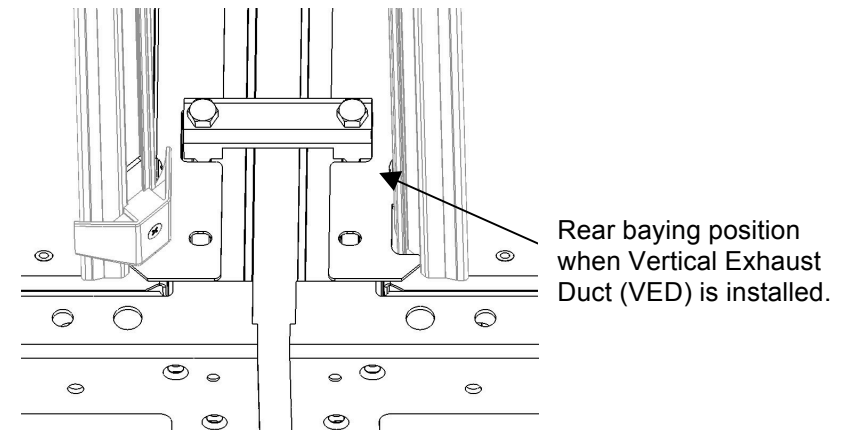
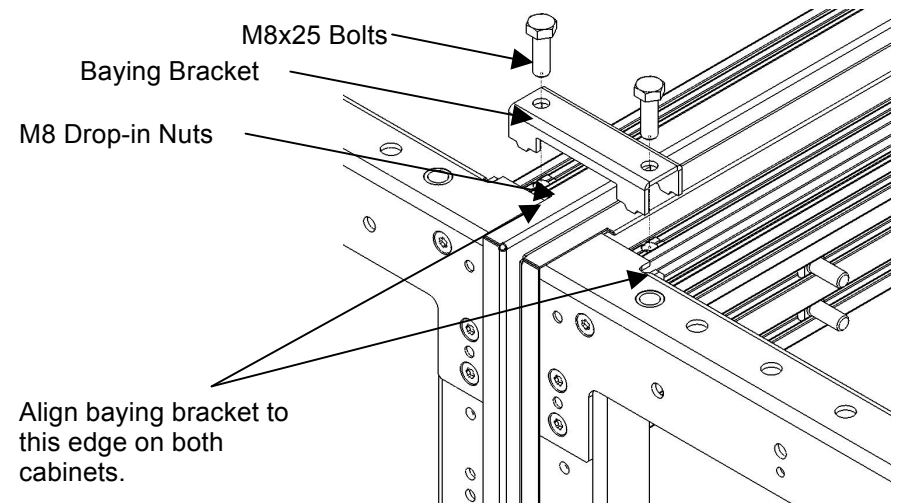
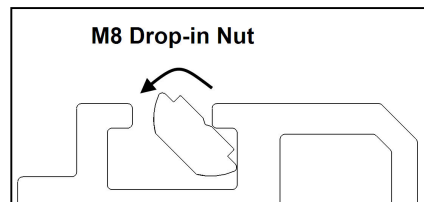
Installation Notes

Cabinets may be bayed with side panels in place, or with a shared side panel, or without side panels, depending on data center requirements.

Baying Kit P/N 16271-XXX to bay and align cabinets to 24-inch floor tiles.
Baying Kit P/N 35079-X02 to bay and align cabinets to 600mm floor tiles.

Assembly Sequence

1. Position two cabinets side by side. Cabinets must be of equal height.
2. Insert M8 Drop-in nuts into the top channel of the adjustable slides in front and rear of each cabinet.
3. Place a baying bracket above the top frames at the front and rear of the cabinets. Finger-tighten the M8 bolts through the brackets and into the drop-in nuts as shown in the upper figure.
4. Position the baying brackets completely forward and rearward in the adjustable slide. Tighten M8 bolts with 13mm socket wrench.
5. If Vertical Exhaust Duct (VED) is installed, position rear baying bracket in clearances shown at right.



IIS-735079, 11/4/15, Rev. 3, CPI/J Garza/JL
800-834-4969 (USA & Canada) • www.chatsworth.com • techsupport@chatsworth.com
For international phone numbers, see our website or contact CPI Tech Support.

This drawing contains proprietary and confidential information and is protected by U.S. and international law. Unauthorized reproduction, disclosure or use of the drawing or the information therein is expressly forbidden except as agreed to in writing by Chatsworth Products, Inc.