

Installation Instructions

GT-Series GlobalFrame Gen 2 Vertical Exhaust Duct

Safety Information:



WARNING: Be sure to use sufficient personnel to safely assemble and install the exhaust duct.

Intended Use:

Use indoors only, in environmentally controlled areas. Do not use outdoors, in harsh environments or in air-handling spaces.

Tools Required

#2 Phillips screw driver

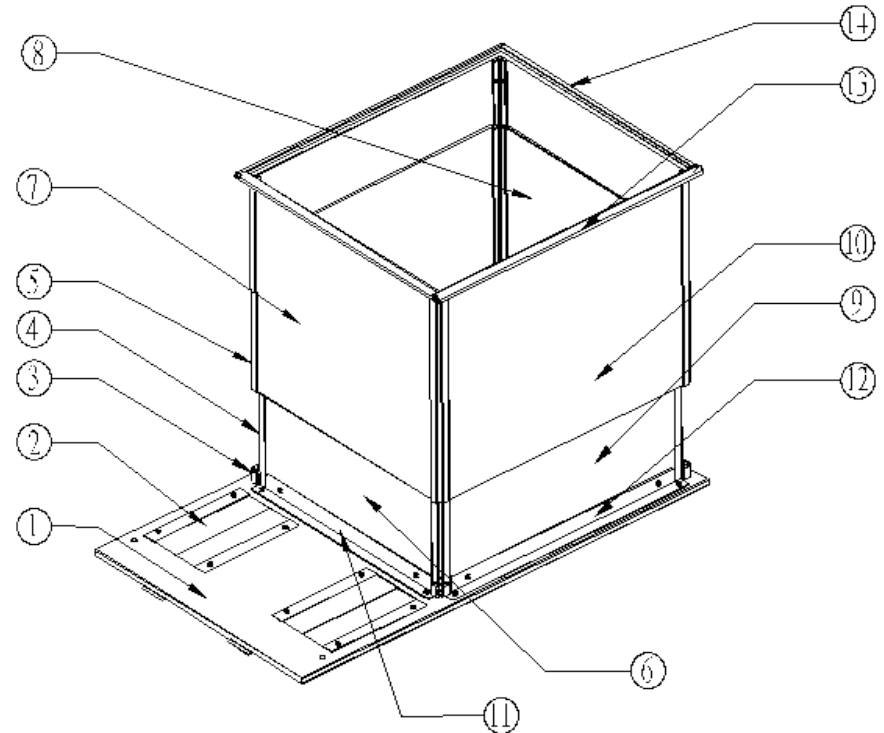
Installation Notes

The Vertical Exhaust Duct (VED) is available for 23.6" (600 mm) and 31.5" (800 mm) wide cabinets with frame depths 47.2" (1200 mm). The VED must be used with side panels, a solid rear door with a perimeter seal and a bottom panel. For best results, include an Air Dam, P/N 26250) and Snap-In Filler Panels, P/N 34537 or 34538, to fully isolate return air from the source air, thus eliminating any possible hot air recirculation in the data center.

Included Hardware for Exhaust Duct

16 Each
M5 x 8mm Phillips screw
24 Each
M3 x 4 Phillips sink screw

Assembly BOM:



IIS-726251, 5/5/16, Rev. 1, CPI/MZ/JL

800-834-4969 (USA & Canada) • www.chatsworth.com • techsupport@chatsworth.com

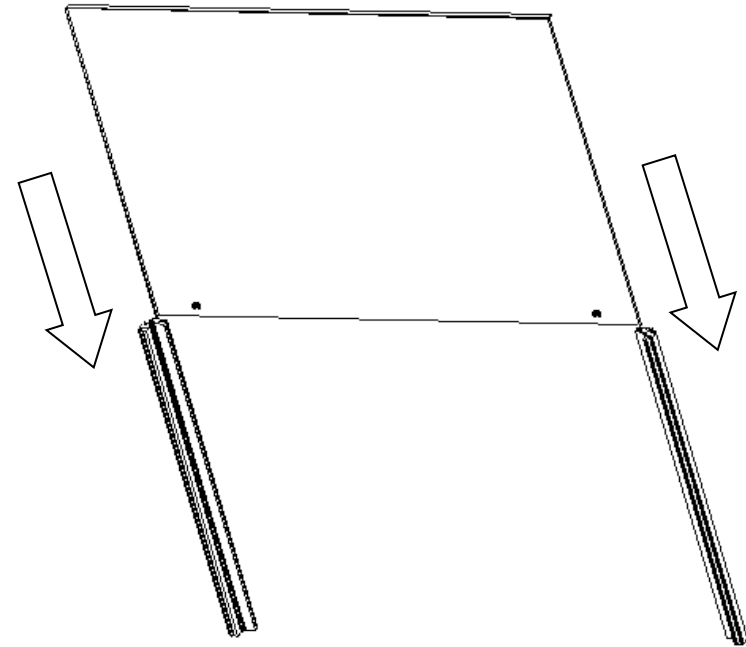
For international phone numbers, see our website or contact CPI Tech Support.

This drawing contains proprietary and confidential information and is protected by U.S. and international law. Unauthorized reproduction, disclosure or use of the drawing or the information therein is expressly forbidden except as agreed to in writing by Chatsworth Products, Inc..

Installation Instructions

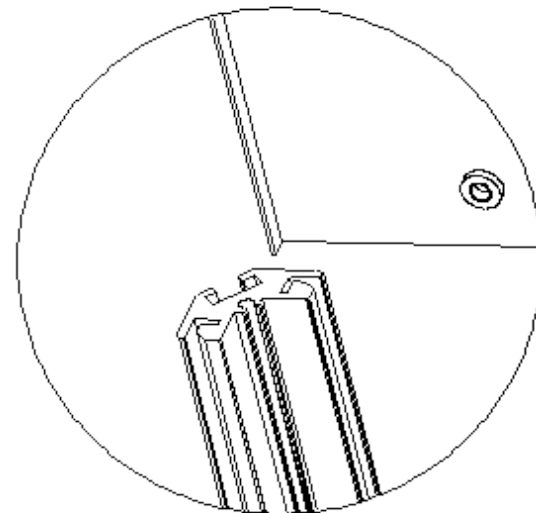
GT-Series GlobalFrame Gen 2 Vertical Exhaust Duct

| BOM sheet | | |
|-----------|------|--------------------------------|
| Item | Qty. | Description |
| 1 | 1 | Top Panel |
| 2 | 4 | Brush cover |
| 3 | 4 | Corner lock |
| 4 | 4 | Inside slide |
| 5 | 4 | Outer slide |
| 6 | 1 | Inside Panel-front |
| 7 | 2 | Outside Panel- front & rear |
| 8 | 1 | Inside panel with brush |
| 9 | 2 | Inside panel- left & right |
| 10 | 2 | Outside panel- left & right |
| 11 | 2 | Mounting Bracket- front & rear |
| 12 | 2 | Mounting Bracket-left & right |
| 13 | 2 | sealing strip- left & right |
| 14 | 2 | sealing strip- front & rear |



Exhaust duct assembly sequence:

1. Put inside panel to the inside slide (Fig. 1).
2. Doing the same way for all inside panel (Fig. 2).
3. Put 4 pcs corner lock into the inside slide, then use 8 pcs M5 screw to install mounting bracket (Fig. 3)



Installation Instructions

GT-Series GlobalFrame Gen 2 Vertical Exhaust Duct

Fig. 1

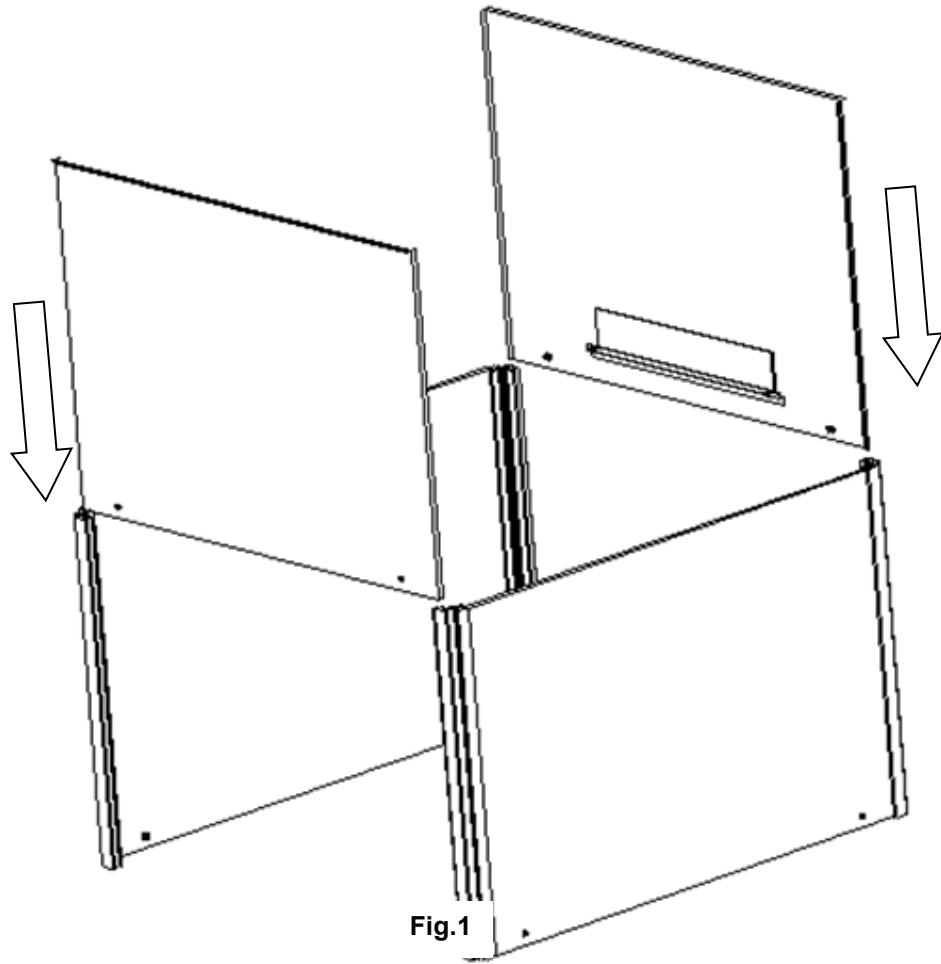


Fig. 2

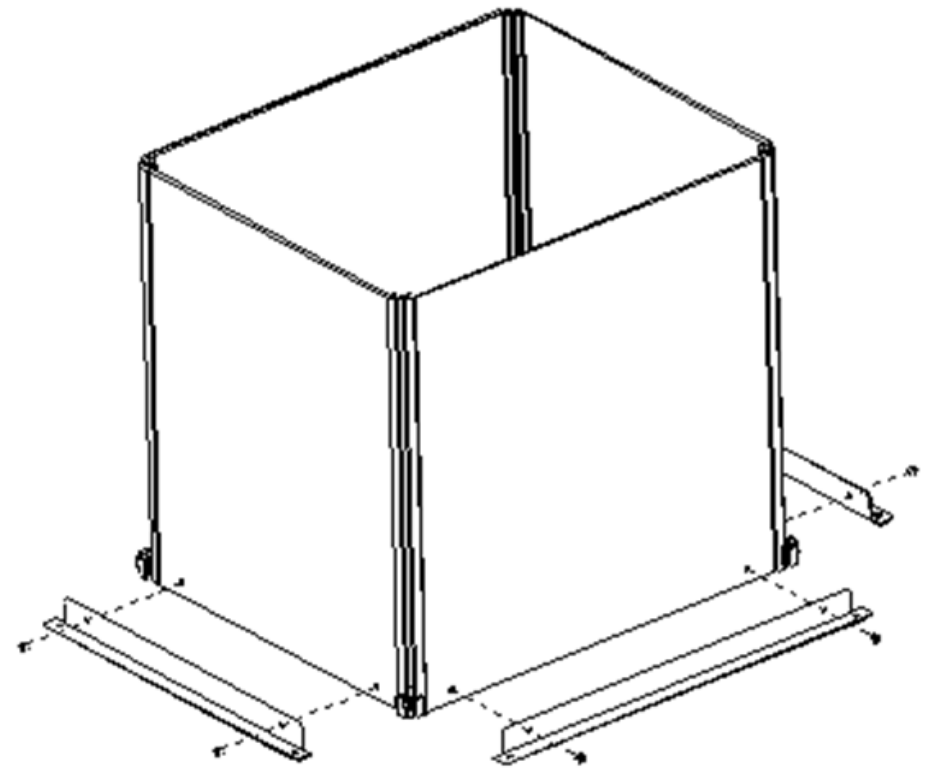


Fig. 3

Installation Instructions

GT-Series GlobalFrame Gen 2 Vertical Exhaust Duct

Exhaust duct assembly sequence:

4. Use 8 pcs M5 screw to install the bottom part of VED to the top panel (Fig. 4).
5. Same installation for outside panel ,use 18 pcs M3 sink screw to fix 3 outside panels and 3 outside slides (Fig. 5).
6. Put top part of VED into the bottom part(Fig. 6)
7. Insert the last outside panel, then use 6 pcs M3 pink screw to install last outside panel(Fig. 7)

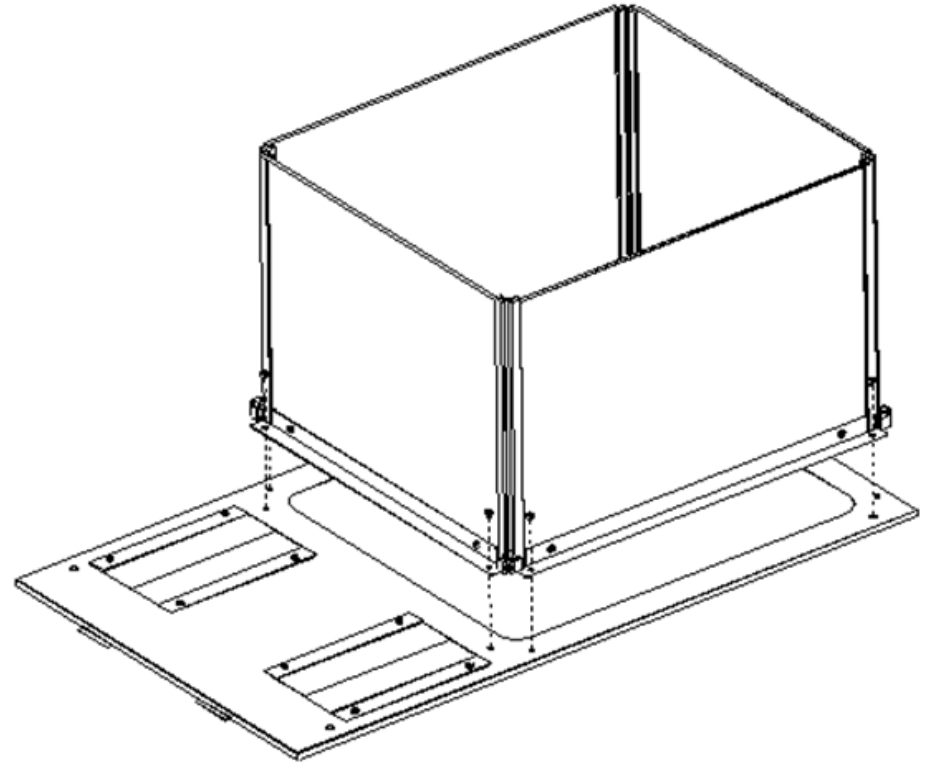


Fig. 4

Installation Instructions

GT-Series GlobalFrame Gen 2 Vertical Exhaust Duct

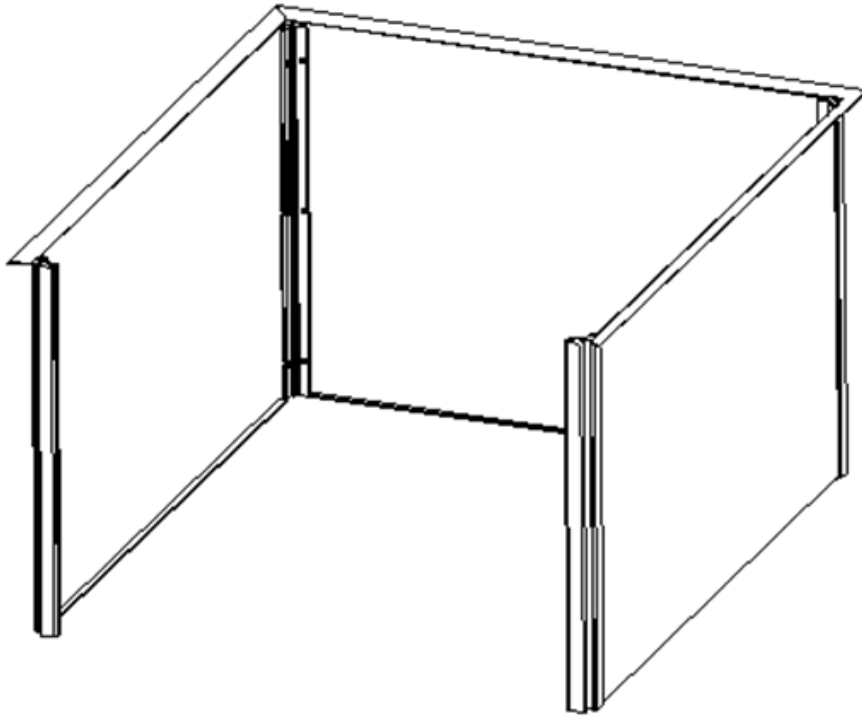


Fig. 5

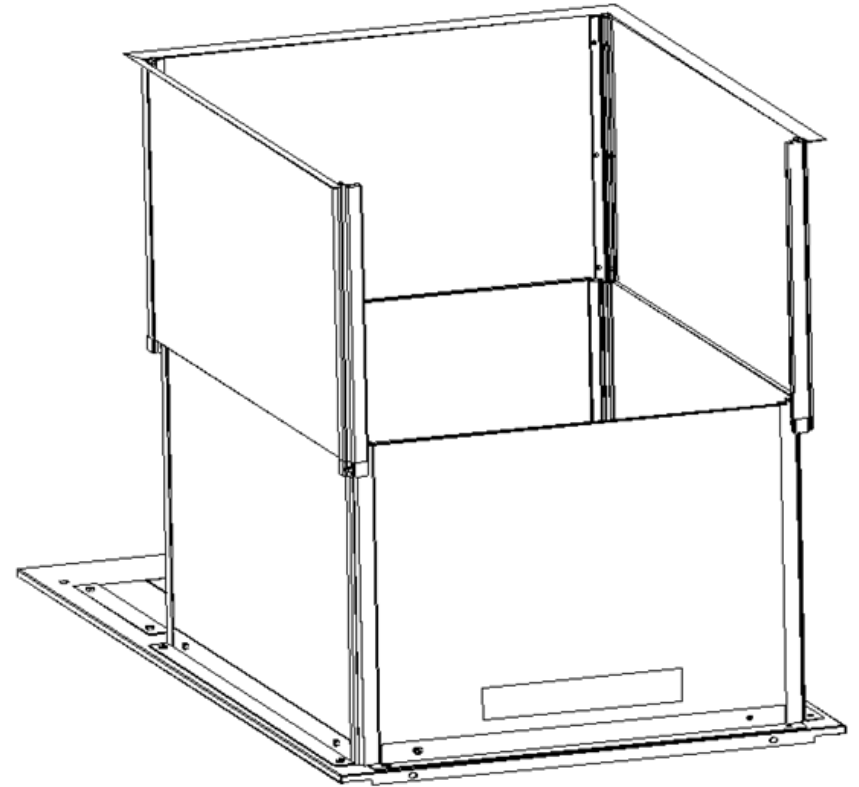


Fig. 6

Installation Instructions

GT-Series GlobalFrame Gen 2 Vertical Exhaust Duct

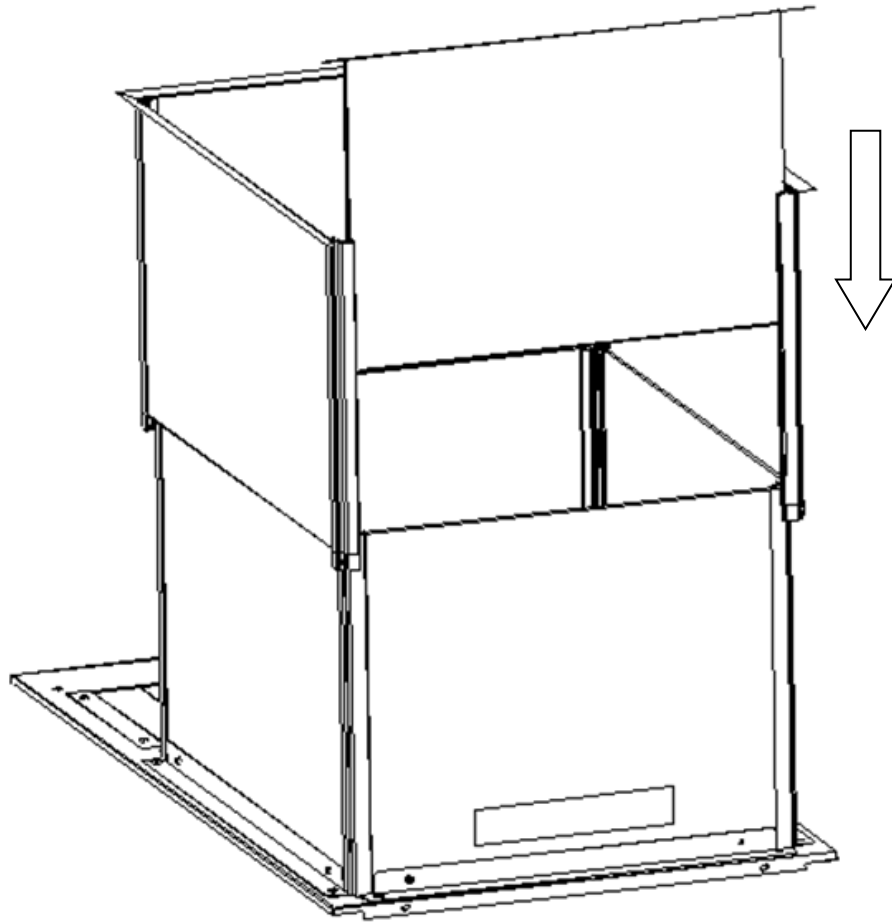


Fig. 7

Exhaust duct assembly sequence:

8. Insert sealing strip, then adjust the height by corner lock (Fig. 8).
9. Finish assembly (Fig. 9).

Installation Instructions

GT-Series GlobalFrame Gen 2 Vertical Exhaust Duct

