

Installation Instructions

GT-Series GlobalFrame Gen 2 Top Panel

Safety Information

Intended Use

Install only in a restricted service environment, such as a data center. Use indoors only, in environmentally controlled areas; do not use outdoors, in harsh environments or in air-handling spaces. Allow only qualified service personnel to install or service this top panel.

Tools Required

#2 Phillips Screw Driver

Included Hardware

- (1) Grounding Wire Assembly, 6"
- (1) M4 Pan head Screw

Assembly Sequence

1. Position Top Panel Assembly over cabinet as shown Fig.1 . Lift rear of Top Panel and slide forward to engage front of cabinet.
2. Use two M4 Pan Head screw to fix the top panel, see detail at Fig. 2
3. Use grounding wire to connect top panel to frame, see detail at Fig. 3

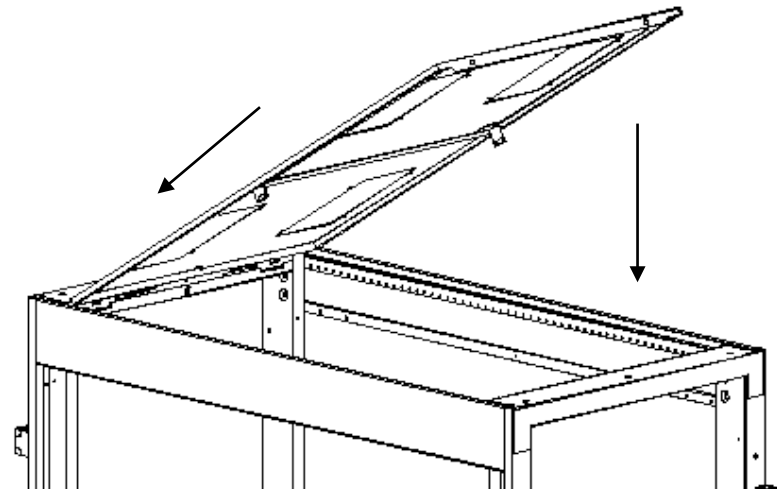


Fig. 1



IIS-726380, 05/13/16, Rev 1, CPI/MZ/JL
800-834-4969 (USA & Canada) • www.chatsworth.com •
techsupport@chatsworth.com
For international phone numbers, see our website or contact CPI Tech Support.

This drawing contains proprietary and confidential information and is protected by U.S. and international law. Unauthorized reproduction, disclosure or use of the drawing or the information therein is expressly forbidden except as agreed to in writing by Chatsworth Products, Inc.

Installation Instructions

GT-Series GlobalFrame Gen 2 Top Panel

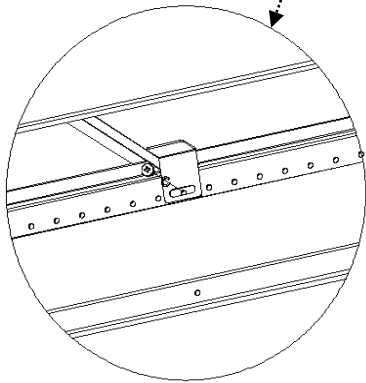
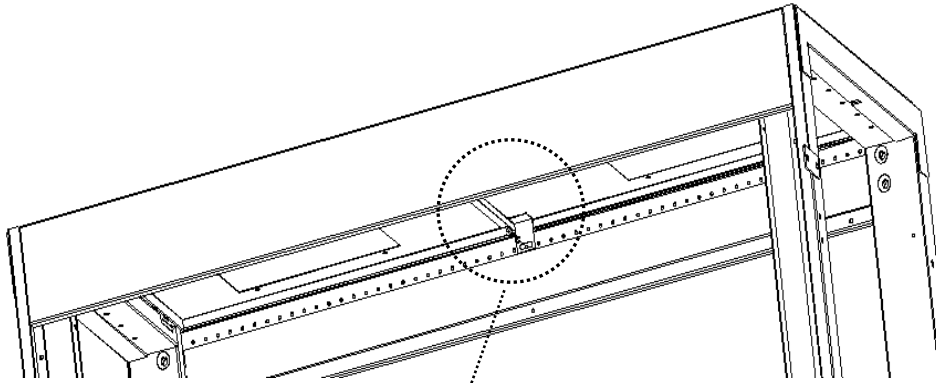


Fig. 2

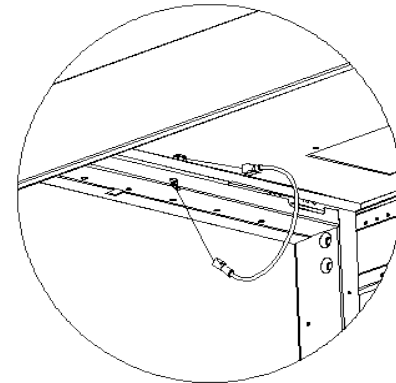
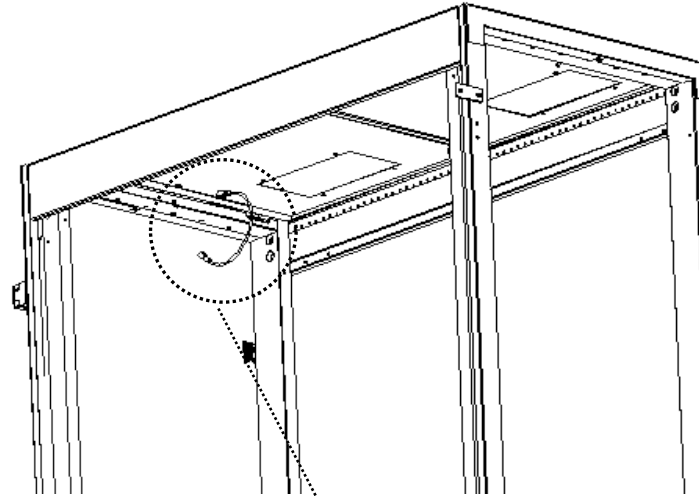


Fig. 3