

# Installation Instructions

## RMR FRAME EQUIPMENT RAIL SLIDES

### Safety Information



**WARNING:** Improper use of this product may lead to serious injury. Read and understand all instructions for proper installation and use of this product.

### Included Hardware

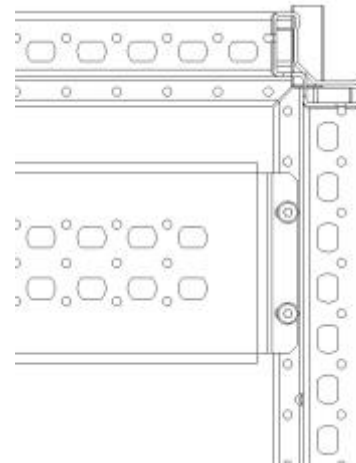
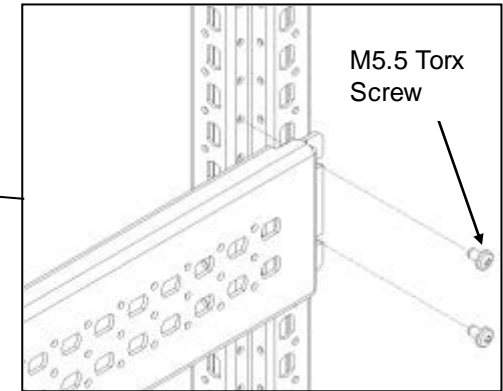
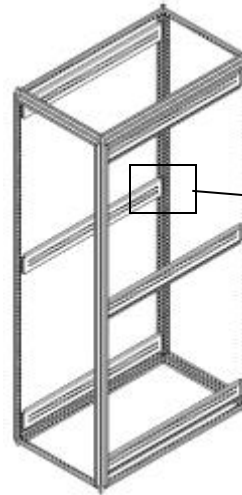
- (24) M5.5x9 Torx Panhead Screw
- (16) M8 Hammer Head Bolt
- (16) M8 Serrated Flange Nut

### Tools Required

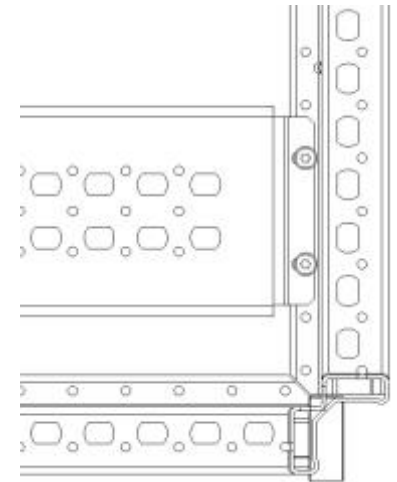
T25 Torx Screw Driver

### Assembly Sequence

1. Install middle slide at both sides of cabinet frame center using four M5.5 Torx panhead screws (torque 44 IN-LB [5 N-M]).
2. Install top and bottom slide at both sides of cabinet frame using four M5.5 Torx panhead screws (torque 44 IN-LB [5 N-M]) each at positions shown in image.
3. M8 Hammer Head bolts and serrated flange nuts included for mounting equipment rails.



Top Slide Position



Bottom Slide Position



IIS-737770, 07/21/16, Rev. 1, CPI/JAG  
800-834-4969 (USA & Canada) • [www.chatsworth.com](http://www.chatsworth.com) • [techsupport@chatsworth.com](mailto:techsupport@chatsworth.com)  
For international phone numbers, see our website or contact CPI Tech Support.

*This drawing contains proprietary and confidential information and is protected by U.S. and international law. Unauthorized reproduction, disclosure or use of the drawing or the information therein is expressly forbidden except as agreed to in writing by Chatsworth Products, Inc.*