

# Installation Instructions

## RMR INDUSTRIAL CABINET PLINTH

### Safety Information



**WARNING:** Improper use of this product may lead to serious injury. Read and understand all instructions for proper installation and use of this product.

### Tools Required

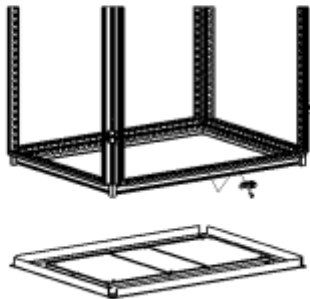
13mm Socket Wrench  
15mm Socket Wrench

### Included Hardware

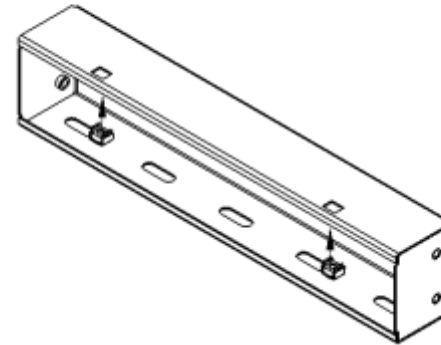
(8) .25IN Tubular Clip  
(20) M8 Serrated Flange Screws  
(4) M10 Serrated Flange Screws  
(4) M8 Clip Nuts

### Assembly Sequence

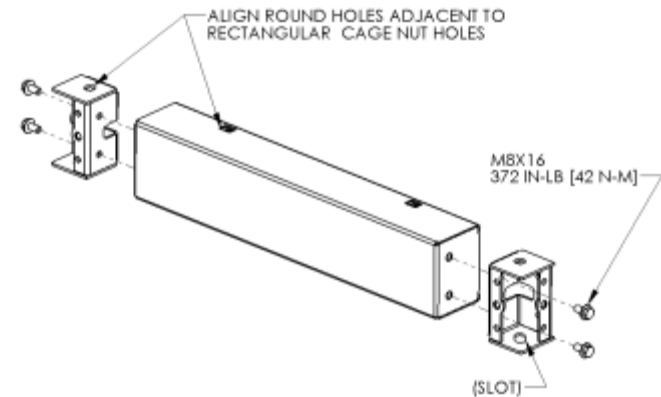
STEP 1: IF APPLICABLE, INSTALL SIDE PANEL BRACKETS AND LOWER PANEL PRIOR TO INSTALLING PLINTH



STEP 2: INSTALL (QTY 2) M8 CAGE NUTS IN THE RECTANGULAR HOLES OF EACH LATERAL CHANNEL MEMBER.



STEP 3: INSTALL CORNERS TO LATERAL CHANNEL MEMBERS.



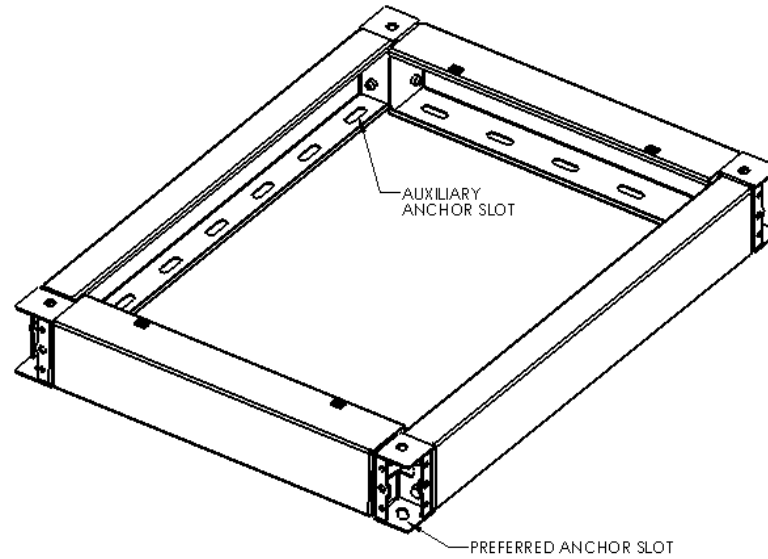
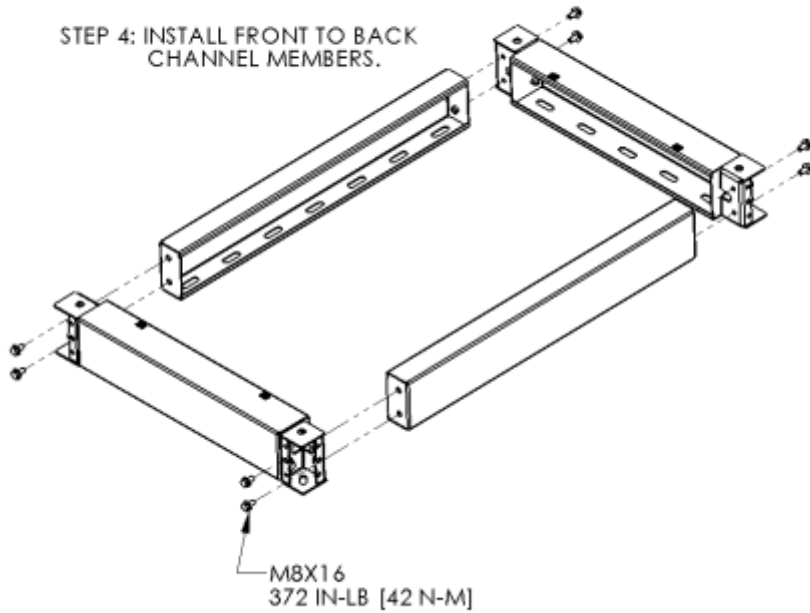
IIS-737830, 07/21/16, Rev. 1, CPI/JAG  
800-834-4969 (USA & Canada) • [www.chatsworth.com](http://www.chatsworth.com) • [techsupport@chatsworth.com](mailto:techsupport@chatsworth.com)  
For international phone numbers, see our website or contact CPI Tech Support.

*This drawing contains proprietary and confidential information and is protected by U.S. and international law. Unauthorized reproduction, disclosure or use of the drawing or the information therein is expressly forbidden except as agreed to in writing by Chatsworth Products, Inc.*

# Installation Instructions

## RMR INDUSTRIAL CABINET PLINTH

STEP 4: INSTALL FRONT TO BACK  
CHANNEL MEMBERS.



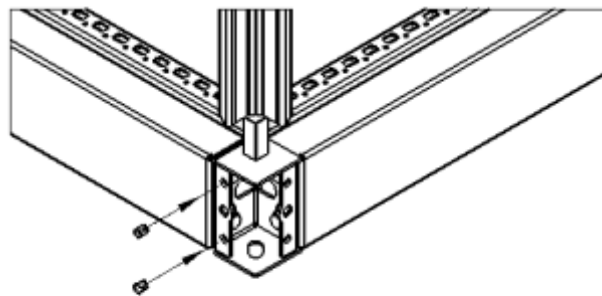
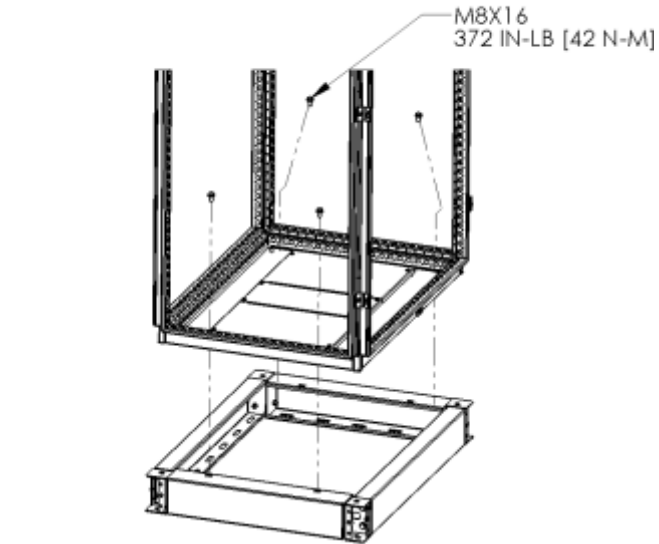
ANCHOR PLINTH TO FLOOR THROUGH 4 SLOTS IN BOTTOM OF PLINTH CORNERS WITH APPROPRIATE 3/8 (OR M10) HARDWARE (USER SUPPLIED).

IF AN OBSTACLE PROHIBITS THE USE OF ONE OF THE CORNER SLOTS, USE AN AUXILIARY SLOT IN THE LOWER PLINTH CHANNEL.

# Installation Instructions

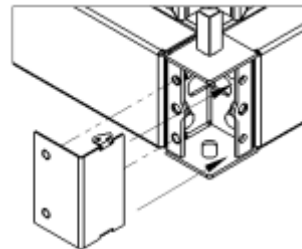
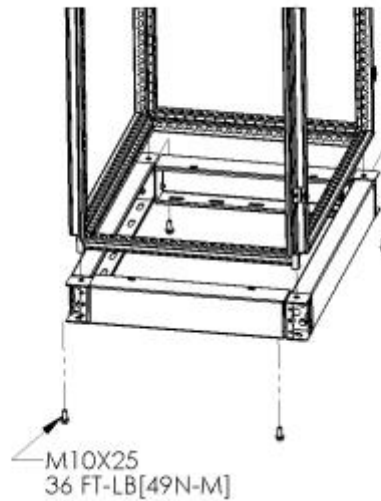
## RMR INDUSTRIAL CABINET PLINTH

STEP 5A: (FOR INSTALLATION WITH BOTTOM PANEL)



SNAP TUBULAR CLIPS INTO HOLES OF EXPOSED FACE OF PLINTH CORNER

STEP 5B: (FOR INSTALLATION WITHOUT BOTTOM PANEL)



PUSH STUDS ON CORNER COVERS INTO TUBULAR CLIPS, ENGAGE FLANGE HOOKS.