

Installation instructions Roxtec RG M63

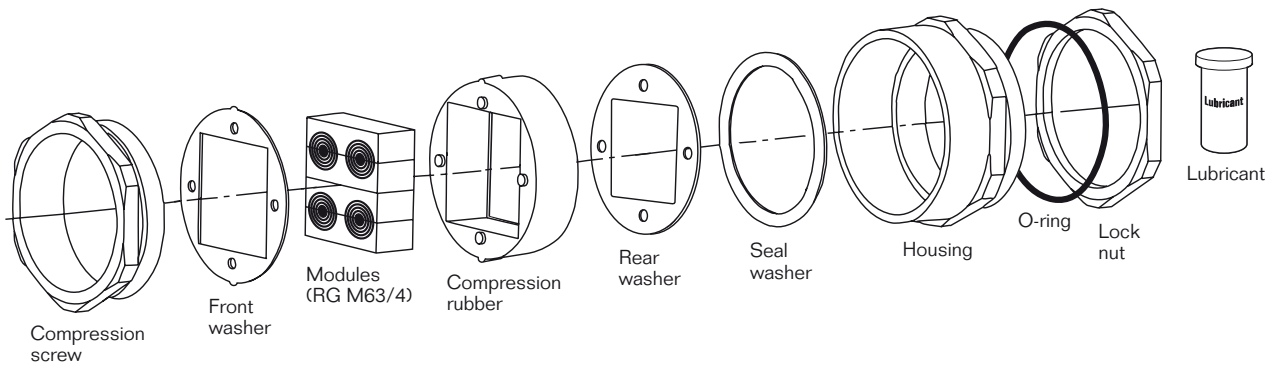
Products

RG M63/4

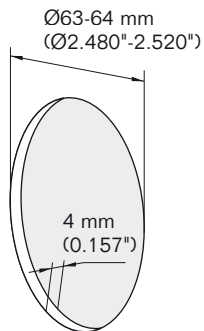
- 1 piece Compression screw
- 1 piece Front washer
- 2 pcs Gland Module 20w40
- 1 piece Compression rubber
- 1 piece Rear washer
- 1 piece Seal washer
- 1 piece Housing
- 1 piece O-ring
- 1 piece Lock nut
- 1 piece Lubricant

RG M63/9

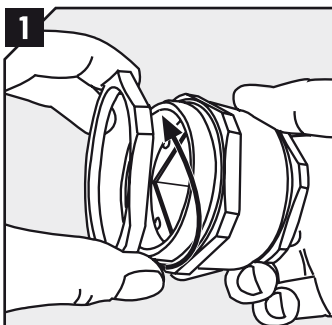
- 1 piece Compression screw
- 1 piece Front washer
- 3 pcs Gland Module 13.3w40
- 1 piece Compression rubber
- 1 piece Rear washer
- 1 piece Seal washer
- 1 piece Housing
- 1 piece O-ring
- 1 piece Lock nut
- 1 piece Lubricant



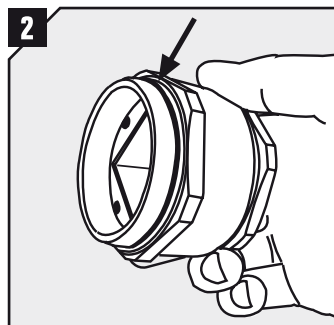
Aperture dimension and max wall thickness



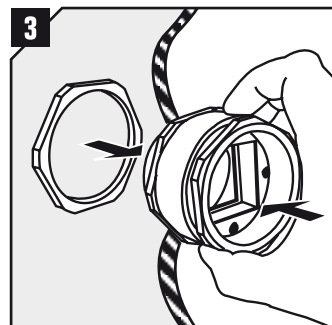
Installation



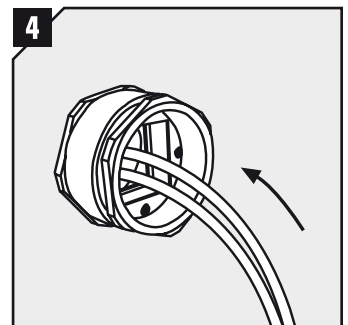
1 Separate the lock nut from the gland housing.



2 Check that the O-ring is in the right place.

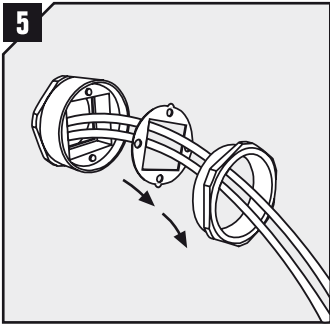


3 Insert the gland in the hole. Fasten it with the lock nut.

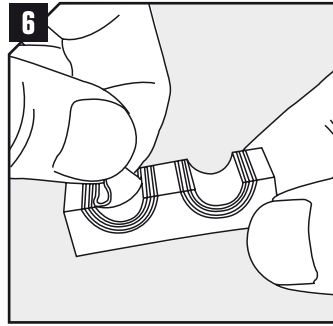


4 Pull all the cables through.

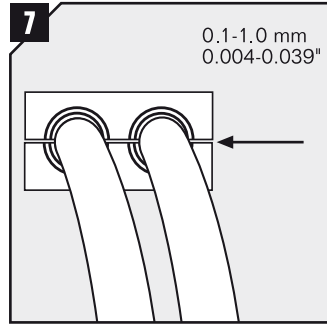




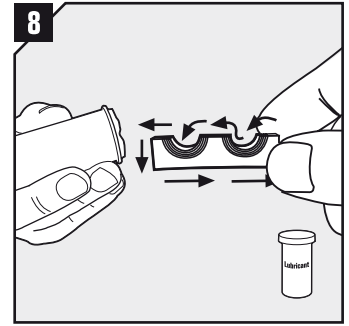
Remove the compression screw and the front washer.



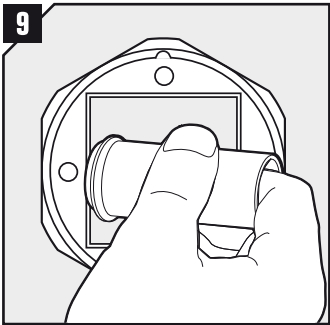
Adapt modules which are to hold cables by peeling off layers until you reach the gap seen in pic. 7. The halves may not differ by more than one layer.



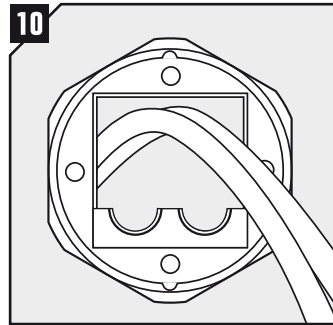
Achieve a 0.1-1.0 mm gap between the two halves when held against the cable.
0.1-1.0 mm
0.004-0.039"



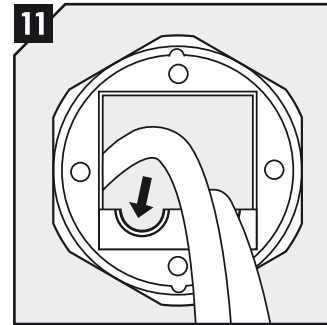
Lubricate all modules for the frame thoroughly with Roxtec Lubricant, both the inside and the outside surfaces.



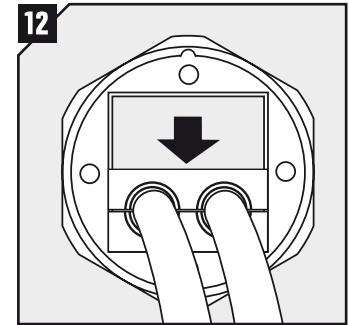
Lubricate the compression rubber. Especially in the corners.



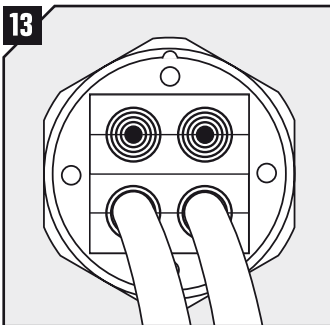
Start by placing a module half at the bottom.



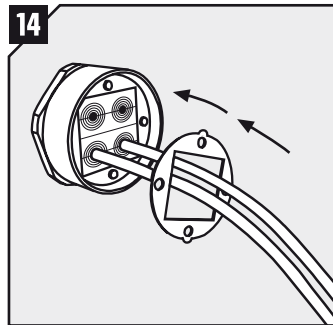
Place the cables in the adapted modules.



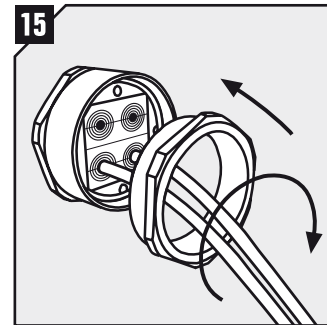
Add the second module half on top.



Repeat step 10-12 until the packing space is filled.



Put the front washer back in place. Make sure that locating tabs are properly inserted in housing grooves.



Reinstall the compression screw. Tighten approx. 35 Nm.

Note

- For optimum reliability, wait 24 hours or longer after installation before exposing the cables/pipes to strain or pressure.
- To be used with: GM components.
- Cables passing through the seal shall be perpendicular to the visible module surface.