

Installation Instructions

RMR LEVELER KIT

Safety Information



WARNING: Improper use of this product may lead to serious injury. Read and understand all instructions for proper installation and use of this product.

Tools Required

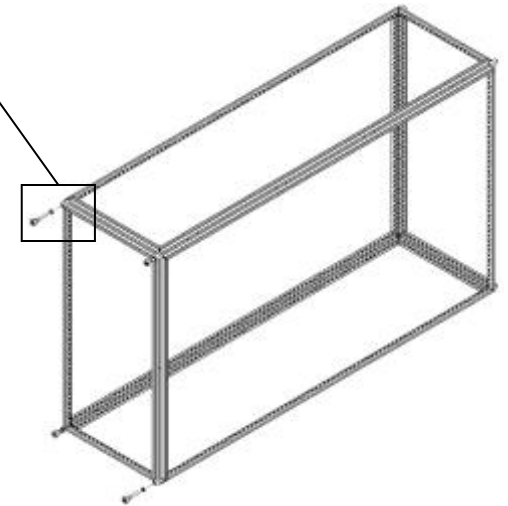
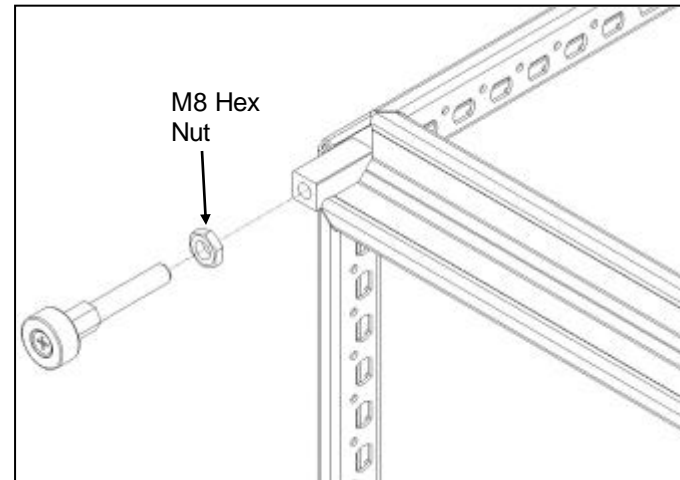
#2 Phillips Screw Driver
13mm Open Ended Wrench

Included Hardware

(4) M10 Hex Nut

Assembly Sequence

1. Remove all equipment, doors, side panels, and top panels from cabinet.
2. Lay cabinet on its side.
3. Insert an M10 hex nut onto leveler before installing on cabinet.
4. Position bottom panel onto the frame bottom.
5. Using a Phillips screw driver, install the four leveling feet onto the four corners on the frame securing the bottom panel with the M10 hex nut.
6. Lift cabinet onto levelers.
7. Adjust levelers as necessary using 13mm wrench.



IIS-737925, 08/10/16, Rev. 1, CPI/JAG
800-834-4969 (USA & Canada) • www.chatsworth.com • techsupport@chatsworth.com
For international phone numbers, see our website or contact CPI Tech Support.

This drawing contains proprietary and confidential information and is protected by U.S. and international law. Unauthorized reproduction, disclosure or use of the drawing or the information therein is expressly forbidden except as agreed to in writing by Chatsworth Products, Inc.