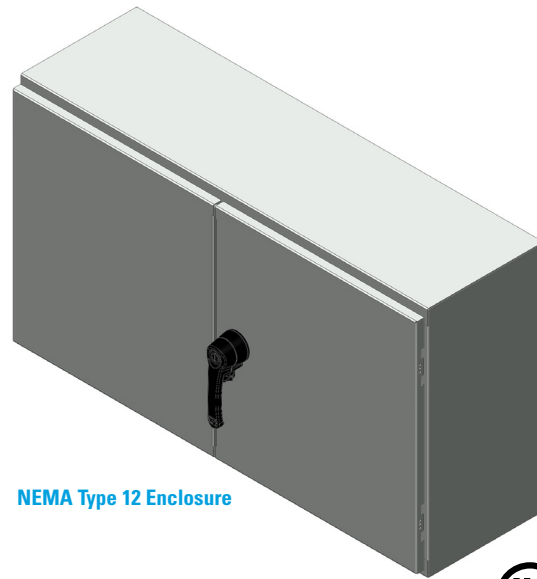


RMR® Standard Wall-Mount Enclosures

RMR® Standard Wall-Mount Enclosures provide NEMA Type 4 and 12 protection for smaller electronic components and controls that require sturdy wall mounting.



NEMA Type 12 Enclosure

ADVANTAGES

- ➔ Advanced formed-in-place foam gasket technology to meet NEMA Type 4 and 12 protection ratings
- ➔ CPI Product Designer, free online configurator, allows quick selection of sizes and design configurations to match most requirements
- ➔ Solid, removable mounting plate (ordered separately) provides maximum mounting space for electrical controls and instrument equipment
- ➔ Various accessory options support indoor and outdoor use



KEY FEATURES

- Sealed with formed-in-place foam gasket technology to meet NEMA Type 4 and 12 protection ratings
- Single or double door options with 3-point or ¼-turn latch and heavy-duty padlock swinghandle(s). Auxiliary ¼-turn latches are added on top and bottom of NEMA Type 4 enclosures with doors that are 31"W (787 mm) or wider
- Single doors available with an optional tempered glass window
- 6 latch/lock combinations are available: 3-point or ¼-turn latch, keyed, double bit, square or slotted locks
- 2 wall-mounting methods: integrated mounting holes or welded mounting brackets
- Grounding and bonding studs and wire are included on doors and frame; optional grounding and bonding kit sold separately to bond the optional mounting plate to the enclosure
- Powder-coated paint

SPECIFICATIONS

	Wall-mount industrial control enclosure for use in indoor and outdoor applications. Protects equipment against the ingress of dust, lint and other debris, as well as dripping and splashing from noncorrosive liquids.
Description	<p>NEMA Type 12, for indoor use, protects against dirt and dripping and light splash of noncorrosive liquid. It also meets NEMA Type 1 and 5; NEMA Type 2 with drain hole and drip shield. Type 12 Enclosures are:</p> <ul style="list-style-type: none"> - UL Listed, Industrial Control Panel Enclosures, Type 1, 2, 3R, 5 and 12; File Number NITW.E473128 - UL Listed, Industrial Control Panel Enclosures for Canada, Type 1, 2, 3R, 5 and 12, File NITW7.E473128 - UL Classified to IP 55 Degrees of Protection by Enclosures Certified to IEC Publication, EOFI.E486325 RoHS, REACH
	<p>NEMA Type 4, for outdoor use, protects against dirt, rain, sleet, snow, splash and hose down with noncorrosive liquid. It also meets NEMA Type 1, 3, 5, 12; and NEMA Type 2 and 3R with drain hole. Type 4 Enclosures are:</p> <ul style="list-style-type: none"> - UL Listed, Industrial Control Panel Enclosures, Type 1, 2, 3, 3R, 4, 5 and 12; File Number NITW.E473128 - UL Listed, Industrial Control Panel Enclosures for Canada, Type 1, 2, 3, 3R, 4, 5 and 12, File NITW7.E473128 - UL Classified to IP 66 Degrees of Protection by Enclosures Certified to IEC Publication, EOFI.E486325 RoHS, REACH
Overall Dimensions	Specific to each enclosure; see ordering information on following pages

Availability: US, Canada, Latin America, Europe and Middle East

US & Canada

+1-800-834-4969
 Toronto, Ontario, Canada
 +905-850-7770
 chatsworth.com
 techsupport@chatsworth.com

Latin America

+52-55-5203-7525
 Toll Free within Mexico
 01-800-01-7592
 chatsworth.com.co

Europe

+44-1628-524-834
 chatsworth.com

Middle East & Africa

Dubai, UAE
 +971-4-2602125
 chatsworth.ae

Asia Pacific

+86 21 6880-0266
 chatsworth.com.cn



CHATSWORTH
 PRODUCTS

SPECIFICATIONS

Materials and Construction	Frame: - Welded, steel frame - Integrated mounting holes or welded mounting brackets - Optional solid, removable mounting plate (ordered separately)
	Door: - Solid or tempered glass, single or double - 3-point or ¼-turn latch. Auxiliary ¼-turn latches are included on top and bottom of NEMA Type 4 enclosures with doors that are 31"W (787 mm) or wider - Black powder-coated, zinc die cast, heavy-duty padlock swinghandle - Bonding stud and wire included - Concealed hinges
	Sealing: Formed-in-place foam gaskets
Finishes	Powdered-coated paint
	Hammer Gray (RAL 7035), Gray ANSI 61, Black Additional finish options available upon request
Compliance	NEMA Type 1, 2, 3, 3R, 4, 5 and 12
	IP 55 and IP 66
Installation	Attaches to wall through integrated mounting holes or welded mounting brackets
	Lag bolts and sealing washers included

NEMA Type 4, 12 Ratings for Nonhazardous Locations

RMR Standard Wall-Mount Enclosures by Chatsworth Products (CPI) provide exceptional material ingress protection for panel-mount networking, automation, control and instrumentation equipment in nonhazardous indoor or outdoor locations. The RMR Standard Wall-Mount Enclosure features a welded steel frame with robotically applied formed-in-place foam gaskets, which maintain the enclosure's NEMA Type 4, 12 protection ratings.

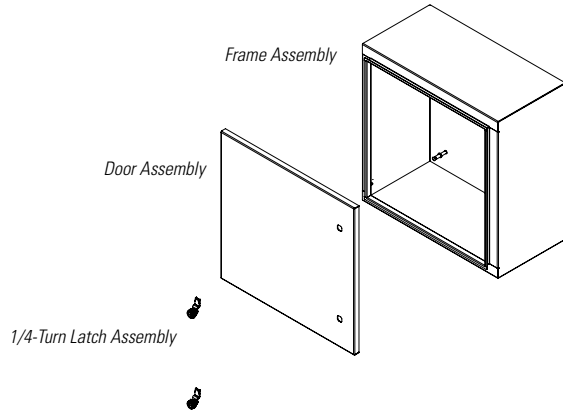
Mount equipment into the enclosure with mounting plates (ordered separately). The removable mounting plates attach to the rear of the enclosure. Use the optional Swing-Out Kit for RMR Mounting Plate (ordered separately) to install the mounting plate at the front of the enclosure.

The enclosure can be configured with solid single or double doors. Tempered glass options are available. Six combinations of latch/lock are available: three-point keyed, double bit and square, or ¼-turn slotted or square, double bit or square.

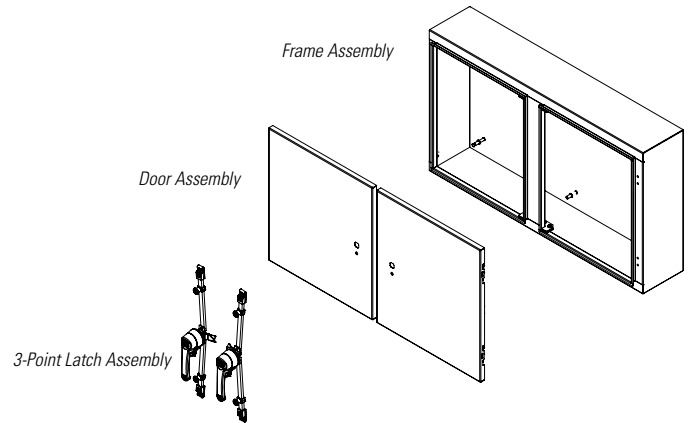
NEMA Type 4 enclosures with double doors feature a removable center beam to maintain sealing performance between doors. Remove the center beam to conveniently mount large equipment onto the mounting plate, or to install the mounting plate with preinstalled equipment onto the frame. NEMA Type 12 enclosures feature overlapping solid double doors with three-point latch but do not include a center beam.

To attach the enclosure to the wall, use mounting holes or mounting brackets.

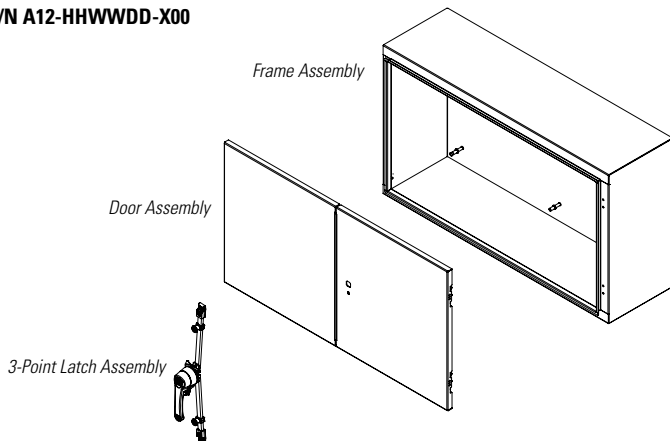
P/N A11-HHWWDD-X00



P/N A13-HHWWDD-X00



P/N A12-HHWWDD-X00



ORDERING INFORMATION

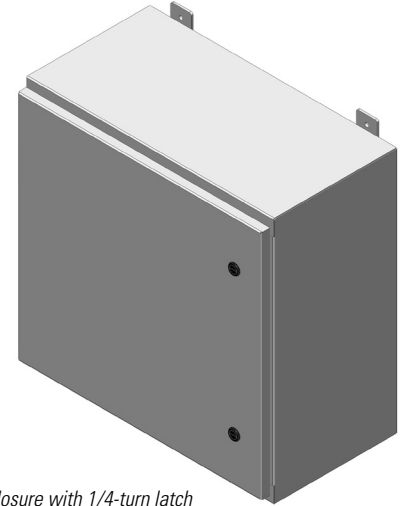
AXX-HHWWDD-X00

1. First set of digits represents cabinet type: NEMA Type, mounting style, number of doors
2. Second set of digits represents dimensions: height, width and depth in inches
3. Third set of digits represents the enclosure's options: color, latch style, door style, accessories, etc.
4. For simplified ordering and full range of sizes and configurations, go to the CPI Product Designer at www.chatsworth.com/product-designer.

RMR Standard Wall-Mount Enclosure, Type 4 and 12 with Single Door

NEMA Type 4 and 12 enclosures are for either indoor or outdoor use and protect against dirt, rain, sleet, snow, splash and hose down with noncorrosive liquids. Designed for NEMA Type 4 and 12 applications. Also meets NEMA Type 1, 2, 3, 5 and 3R with drain hole (hole must be between 1/8" to 1/4" (3 mm - 6 mm))

- Solid or tempered glass single door.
- 2 latch styles: 3-point mechanism and ¼-turn latch. Auxiliary ¼-turn latches are added on top and bottom of enclosures with doors that are 31"W (787 mm) or wider
- 4 lock styles: keyed CH751, double bit and square on 3-point latches; double bit, square and slotted on ¼-turn latches
- Min and max height: 12"H – 72"H (305 mm - 1829 mm)
- Min and max widths: 10"W – 36"W (254 mm - 914 mm)
- Min and max depths: 6"D – 24"D (152 mm - 610 mm)
- Powder-coated paint
- 3 colors available: Gray ANSI 61, Hammer Gray RAL7035 and Black
- 2 mounting methods: integrated mounting hole or welded mounting bracket

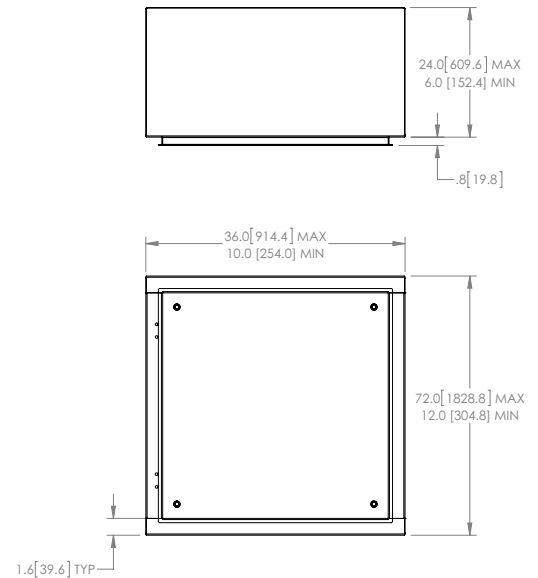


Enclosure with 1/4-turn latch

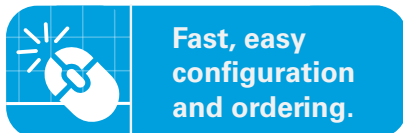
Part Number	Enclosure Height in (mm)	Enclosure Width in (mm)	Enclosure Depth in (mm)	Matching Mounting Plate	Matching Drip Shield Assembly
A11-122408-X00	12 (300)	24 (610)	08 (203)	DF0006-122400-X01	DF0016-002400-X01
A11-162010-X00	16 (410)	20 (510)	10 (250)	DF0006-162000-X01	DF0016-002000-X01
A11-202012-X00	20 (510)	20 (510)	12 (300)	DF0006-202000-X01	DF0016-002000-X01
A11-242410-X00	24 (610)	24 (610)	10 (250)	DF0007-242400-X01	DF0016-002400-X01
A11-242412-X00	24 (610)	24 (610)	12 (300)	DF0007-242400-X01	DF0016-002400-X01
A11-242416-X00	24 (610)	24 (610)	16 (410)	DF0007-242400-X01	DF0016-002400-X01
A11-243008-X00	24 (610)	30 (760)	08 (203)	DF0007-243000-X01	DF0017-003000-X01
A11-302410-X00	30 (760)	24 (610)	10 (250)	DF0007-302400-X01	DF0016-002400-X01
A11-302408-X00	30 (760)	24 (610)	08 (203)	DF0007-302400-X01	DF0016-002400-X01
A11-362412-X00	36 (910)	24 (610)	12 (300)	DF0008-362400-X01	DF0016-002400-X01
A11-363016-X00	36 (910)	30 (760)	16 (410)	DF0008-363000-X01	DF0017-003000-X01
A11-423612-X00	42 (1070)	36 (910)	12 (300)	DF0009-423600-X01	DF0017-003600-X01
A11-423616-X00	42 (1070)	36 (910)	16 (410)	DF0009-423600-X01	DF0017-003600-X01
A11-482412-X00	48 (1220)	24 (610)	12 (300)	DF0008-482400-X01	DF0016-002400-X01
A11-483616-X00	48 (1220)	36 (910)	16 (410)	DF0009-483600-X01	DF0017-003600-X01
A11-603612-X00	60 (1520)	36 (910)	12 (300)	DF0009-603600-X01	DF0017-003600-X01
A11-603616-X00	60 (1520)	36 (910)	16 (410)	DF0009-603600-X01	DF0017-003600-X01

Note: X=color: (-C00) for Black, (-G00) for Hammer Gray RAL 7035, (-H00) for Gray ANSI 61. Size in inches. Other sizes and lock styles available. Mounting plate (ordered separately) is 4" smaller height and width of enclosure. Plate mounts symmetrically on the enclosure.

P/N A11-HHWWDD-X00 Dimensions



Additional Sizes Available Online



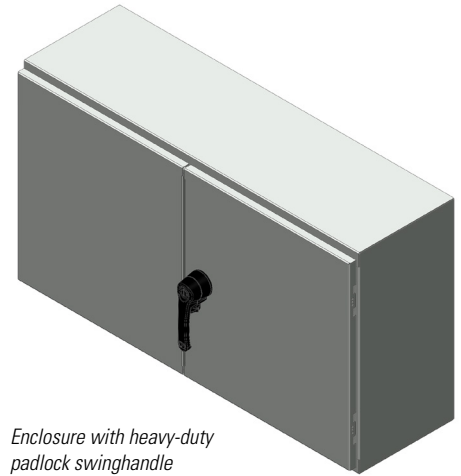
CPI Product Designer creates unique industrial enclosures quickly and easily by allowing you to select the size, features and accessories needed for a specific application. Access this tool at www.chatsworth.com/product-designer.

ORDERING INFORMATION

RMR Standard Wall-Mount Enclosure, Type 12 with Solid Double Door

NEMA Type 12 enclosures are for indoor use and protect against dirt, rain, light splash and with noncorrosive liquids.

- Designed for NEMA Type 12 applications. Also meets NEMA Type 1, 2, 5 and 3R with drain hole and drip shield (hole must be between 1/8" to 1/4" (3 mm - 6 mm))
- Solid, overlapping double door
- 2 mounting methods: integrated mounting hole or welded mounting bracket
- Latch styles: 3-point mechanism
- 3 lock styles: keyed CH751, double bit and square
- Min and max height: 24"H – 48"H (610 mm - 1219 mm)
- Min and max widths: 42"W – 60"W (1067 mm - 1524 mm)
- Min and max depths: 8"D – 16"D (203 mm - 406 mm)
- Powder-coated paint
- 3 colors available: Gray ANSI 61, Hammer Gray RAL7035 and Black

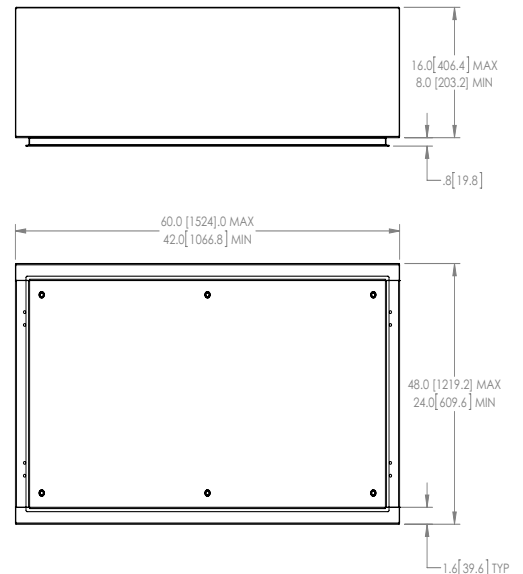


Enclosure with heavy-duty padlock swinghandle

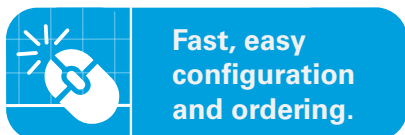
Part Number	Enclosure Height in (mm)	Enclosure Width in (mm)	Enclosure Depth in (mm)	Matching Mounting Plate	Matching Drip Shield Assembly
A12-244208-X00	24 (610)	42 (1070)	08 (203)	DF0010-244200-X01	DF0018-004200-X01
A12-244808-X00	24 (610)	48 (1220)	08 (203)	DF0010-244800-X01	DF0018-004800-X01
A12-304808-X00	30 (760)	48 (1220)	08 (203)	DF0010-304800-X01	DF0018-004800-X01
A12-244210-X00	24 (610)	42 (1070)	10 (250)	DF0010-244200-X01	DF0018-004200-X01
A12-304210-X00	30 (760)	42 (1070)	10 (250)	DF0010-304200-X01	DF0018-004200-X01
A12-304810-X00	30 (760)	48 (1220)	10 (250)	DF0010-304800-X01	DF0018-004800-X01
A12-364212-X00	36 (910)	42 (1070)	12 (300)	DF0009-364200-X01	DF0018-004200-X01
A12-424212-X00	42 (1070)	42 (1070)	12 (300)	DF0009-424200-X01	DF0018-004200-X01
A12-364812-X00	36 (910)	48 (1220)	12 (300)	DF0009-364800-X01	DF0018-004800-X01
A12-484812-X00	48 (1220)	48 (1220)	12 (300)	DF0034-484800-X01	DF0018-004800-X01
A12-306012-X00	30 (760)	60 (1520)	12 (300)	DF0010-306000-X01	DF0019-006000-X01
A12-366012-X00	36 (910)	60 (1520)	12 (300)	DF0009-366000-X01	DF0019-006000-X01
A12-426012-X00	42 (1070)	60 (1520)	12 (300)	DF0034-426000-X01	DF0019-006000-X01
A12-364216-X00	36 (910)	42 (1070)	16 (410)	DF0009-364200-X01	DF0018-004200-X01

Note: X=color: (-C00) for Black, (-G00) for Hammer Gray RAL 7035, (-H00) for Gray ANSI 61. Size in inches. Other sizes and lock styles available. Mounting plate (ordered separately) is 4" smaller height and width of enclosure. Plate mounts symmetrically on the enclosure.

P/N A12-HHWWDD-X00 Dimensions



Additional Sizes Available Online



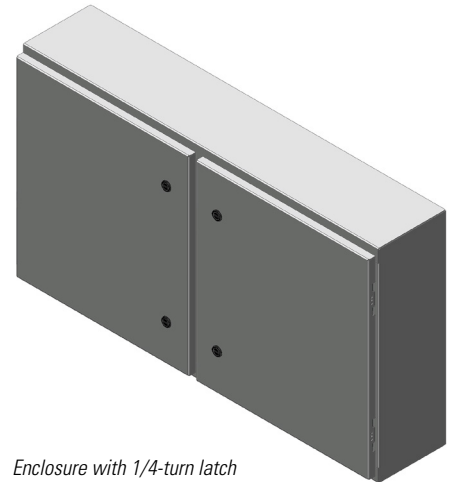
CPI Product Designer creates unique industrial enclosures quickly and easily by allowing you to select the size, features and accessories needed for a specific application. Access this tool at www.chatsworth.com/product-designer.

ORDERING INFORMATION

RMR Standard Wall-Mount Enclosure, Type 4 with Solid Double Door

NEMA Type 4 enclosure is for outdoor use and protects against dirt, rain, sleet, snow, splash and hose down with noncorrosive liquid.

- Designed for NEMA 4 applications. Also meets NEMA Type 1, 2, 3, 5, 12 and 3R with drain hole (hole must be between 1/8" to 1/4" (3 mm - 6 mm))
- Solid double doors and center beam provides convenient installation of mounting plate
- 4 lock styles: keyed CH751, double bit, square and slotted
- 2 latch styles: 3-point and ¼-turn. Auxiliary ¼-turn latches are added on top and bottom of enclosures that are 31"W (787 mm) or wider
- Min and max height: 24"H – 48"H (610 mm - 1219 mm)
- Min and max widths: 42"W – 60"W (1667 mm - 1524 mm)
- Min and max depths: 8"D – 16"D (203 mm - 406 mm)
- Powder-coated paint
- 3 colors available: Gray ANSI 61, Hammer Gray RAL7035 and Black
- 2 mounting methods: integrated mounting hole or welded mounting bracket

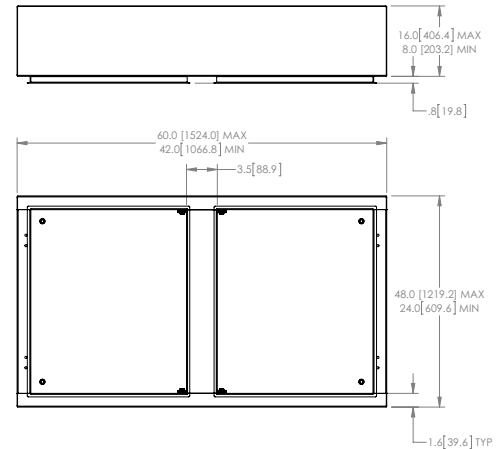


Enclosure with 1/4-turn latch

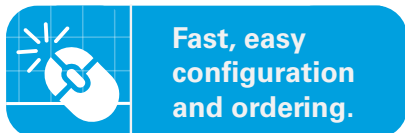
Part Number	Enclosure Height in (mm)	Enclosure Width in (mm)	Enclosure Depth in (mm)	Matching Mounting Plate	Matching Drip Shield Assembly
A13-244208-X00	24 (610)	42 (1070)	08 (203)	DF0010-244200-X01	DF0018-004200-X01
A13-244808-X00	24 (610)	48 (1220)	08 (203)	DF0010-244800-X01	DF0018-004800-X01
A13-244210-X00	24 (610)	42 (1070)	10 (250)	DF0010-244200-X01	DF0018-004200-X01
A13-304808-X00	30 (760)	48 (1220)	08 (203)	DF0010-304800-X01	DF0018-004800-X01
A13-304210-X00	30 (760)	42 (1070)	10 (250)	DF0010-304200-X01	DF0018-004200-X01
A13-304810-X00	30 (760)	48 (1220)	10 (250)	DF0010-304800-X01	DF0018-004800-X01
A13-306012-X00	30 (760)	60 (1520)	12 (300)	DF0010-306000-X01	DF0019-006000-X01
A13-364212-X00	36 (910)	42 (1070)	12 (300)	DF0009-364200-X01	DF0018-004200-X01
A13-364812-X00	36 (910)	48 (1220)	12 (300)	DF0009-364800-X01	DF0018-004800-X01
A13-366012-X00	36 (910)	60 (1520)	12 (300)	DF0009-366000-X01	DF0019-006000-X01
A13-364216-X00	36 (910)	42 (1070)	16 (410)	DF0009-364200-X01	DF0018-004200-X01
A13-424212-X00	42 (1070)	42 (1070)	12 (300)	DF0009-424200-X01	DF0018-004200-X01
A13-426012-X00	42 (1070)	60 (1520)	12 (300)	DF0034-426000-X01	DF0019-006000-X01
A13-484812-X00	48 (1220)	48 (1220)	12 (300)	DF0034-484800-X01	DF0018-004800-X01

Note: X=color: (-C00) for Black, (-G00) for Hammer Gray RAL 7035, (-H00) for Gray ANSI 61. Size in inches. Other sizes and lock styles available. Mounting plate (ordered separately) is 4" smaller height and width of enclosure. Plate mounts symmetrically on the enclosure.

P/N A13-HHWWDD-X00 Dimensions



Additional Sizes Available Online



CPI Product Designer creates unique industrial enclosures quickly and easily by allowing you to select the size, features and accessories needed for a specific application. Access this tool at www.chatsworth.com/product-designer.

GENERAL ACCESSORIES



Solid Mounting Plates

Solid Mounting Plates are metal panels that are installed at the rear of the enclosure frame. Network, automation and control equipment devices can be installed onto the mounting plate.

Refer to enclosure ordering tables for sampling of mounting plate part numbers. Go to CPI Product Designer for other enclosure and mounting plate sizes.



DF0032-000000-X01

Swing-Out Plate Mounting Kit

The Swing-Out Plate Mounting Kit installs at the front of the enclosures and converts a standard mounting plate into a swing-out mounting plate (ordered separately). The Kit includes brackets, hinges and mounting hardware that attach to the front of the enclosure to allow easy access to electronic components.

Part Number	Enclosure Height in (mm)	Shipping Weight lb (kg)
DF0021-000000-X01	37" (940 mm) - 62" (1575 mm)	4 (1.8)
DF0032-000000-X01	63" (1600 mm) - 72" (1829 mm)	5.5 (2.5)
DF0033-000000-X01	12" (305 mm) - 36" (914 mm)	3 (1.4)

Note: X=color: (-G00) for Hammer Gray RAL 7035, (-H00) for Gray ANSI 61.



Mounting Bracket Kit for RMR Standard Wall-Mount Enclosure

The Mounting Bracket Kit mounts RMR Standard Wall-Mount Cabinets to the wall.

- Includes 4 brackets and screws
- Required for NEMA Type 4 applications

Part Number	Shipping Weight lb (kg)
DF0024-000000-X01	1 (0.5)

Note: X=color: (-G00) for Hammer Gray RAL 7035, (-H00) for Gray ANSI 61.



RMR Enclosure Grounding and Bonding Kit

The RMR Enclosure Grounding and Bonding Kit provides bonding to the enclosure or bonds the optional mounting plate.

- Includes a 12"L (305 mm), 6-gauge with dual M8 ring terminals and hardware
- Compatible with RMR Floor-Mount, RMR Free-Standing and RMR Standard Wall-Mount Enclosures

Part Number	Shipping Weight lb (kg)
DF0023-000000-001	0.5 (0.2)



RMR Enclosure Threaded Drain Plug Kit

The RMR Enclosure Threaded Drain Plug Kit prevents accumulation of condensed water by allowing it to drain out the bottom of the enclosure. The drain plugs also vent air out of the enclosures, helping to equalize air pressure. Install vent drains at the bottom of the enclosures.

- Includes vent drain and retaining nut
- Compatible with all RMR Enclosures

Part Number	Shipping Weight lb (kg)
DF0025-000000-001	1 (0.5)

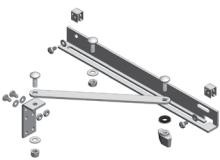


RMR Enclosure XL Polyvent Protective Vent Kit

RMR Enclosure XL Polyvent Protective Vent Kit provides ventilation and equalizes air pressure in the event of drastic temperature changes. Pressure equalization is essential to protect the enclosure seal from damage. Installation hardware included.

- Kit includes vent and retaining nut
- Compatible with RMR Modular, RMR Swing-Out, RMR Fixed Wall-Mount, RMR Standard Wall-Mount, RMR Floor-Mount and RMR Free-Standing Enclosures

Part Number	Shipping Weight lb (kg)
DF0028-000000-001	0.5 (0.2)



RMR Enclosure Door Stop Kit

The RMR® Enclosure Door Stop Kit secures the door of the enclosure in the open position. It can be mounted on either left- or right-hinged doors. Includes mounting hardware.

- Kit includes door stop and mounting hardware
- Compatible with RMR Floor-Mount, RMR Free-Standing and RMR Standard Wall-Mount Enclosures

Part Number	Shipping Weight lb (kg)
DF0022-000000-001	4 (2.2)



DF0030-000000-001

LED Light Kit

The LED Light Kit provides additional lighting inside the enclosure.

- 2 types available: On-off switch or motion sensor
- Voltage: 100 - 240 V, 50/60 Hz
- NEMA 1-15P power cord

Part Number	Description	Shipping Weight lb (kg)
DF0030-000000-001	On-off Switch	0.5 (0.2)
DF0031-000000-001	Motion Sensor	0.5 (0.2)



DF0031-000000-001



RMR Enclosure Drip Shield Assembly

Required to meet NEMA Type 3R when using a NEMA Type 12 enclosure. It is used to provide additional protection against ice and rain.

Refer to enclosure ordering tables for sampling of Drip Shield Assembly part numbers. Go to CPI Product Designer to configure an RMR Enclosure with Drip Shield Assembly.



The Product Designer guides you through the steps and selections necessary to create an enclosure that meets your unique size requirements and thermal and cable management needs. You will get bills of material (BOM), drawings and sales documents automatically.

Interested in learning more about our RMR Industrial Enclosures? Call us at 800-834-4969, or email Technical Support at techsupport@chatsworth.com.

Go to www.chatsworth.com/product-designer to select your RMR Industrial Enclosure.