

# Installation Instructions

## RMR STANDARD WALL-MOUNT ENCLOSURES (P/Ns A11/A12/A13 and Equivalent)

### Safety Information



**WARNING:** Improper use of this product or failure to follow these instructions may result in equipment damage, personal injury, or death. Read and understand all instructions for proper installation and use of this product.



**WARNING:** Before loading equipment in the cabinet, be sure all parts and hardware are properly installed and tightened.

### Intended Use

RMR Standard Wall-Mount Enclosures are intended for either outdoor or indoor applications, depending on the enclosure style – see right. Use RMR Standard Wall-Mount Enclosures for information technology and telecommunications equipment, systems control automation electronics and/or instrumentation. Allow only qualified service personnel to use these RMR Standard Wall-Mount Enclosures.

Accessories used on RMR Standard Wall-Mount Enclosures must have an equivalent NEMA environmental rating as the cabinet on which they are used.

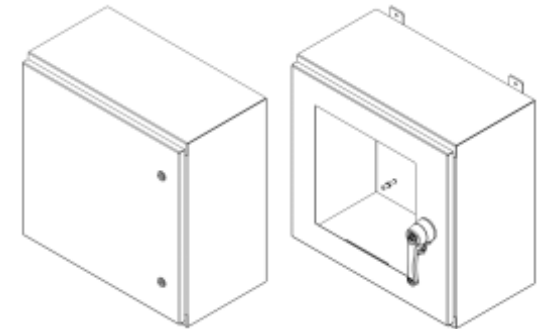
Outdoor rated enclosures (A11, A13) require addition of 1/8" drain hole (add Drain Kit for ideal solution) in bottom of enclosure for Type 2 and 3R applications.

Outdoor rated enclosures (A11, A13) with mounting holes that penetrate the enclosure require the Mounting Bracket Kit to completely meet Type 4 protection requirements.

Indoor rated enclosures (A12) require addition of 1/8" drain hole (add Drain Kit for ideal solution) in bottom of enclosure for Type 2 applications, and addition of drain and Drip Shield for Type 3R applications.

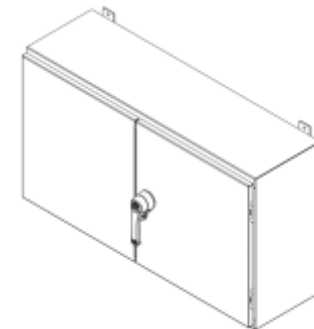
### A11 Enclosures –

Outdoor Rated for NEMA Types  
1, 3, 4, 5, and 12 and IP-66



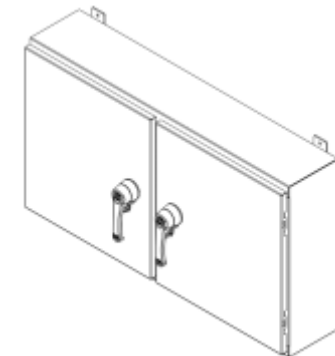
### A12 Enclosures –

Indoor Rated for NEMA Types  
1, 5, and 12 and IP-55



### A13 Enclosures –

Outdoor Rated for NEMA Types  
1, 3, 4, 5, and 12 and IP-66



IIS-738068, 03/09/2017, Rev. 1, CPI/PEH

800-834-4969 (USA & Canada) • [www.chatsworth.com](http://www.chatsworth.com) • [techsupport@chatsworth.com](mailto:techsupport@chatsworth.com)

For international phone numbers, see our website or contact CPI Tech Support.

*This drawing contains proprietary and confidential information and is protected by U.S. and international law. Unauthorized reproduction, disclosure or use of the drawing or the information therein is expressly forbidden except as agreed to in writing by Chatsworth Products, Inc.*

# Installation Instructions

## RMR STANDARD WALL-MOUNT ENCLOSURES (P/Ns A11/A12/A13 and Equivalent)

### Standard Wall-Mounting

Before installing the cabinet, ensure that the wall or mounting surface has sufficient strength to support the cabinet and the expected cabinet payload. The mounting surface must also be flat and extend beyond the top, bottom, left, and right edges of the cabinet.

Note: Mounting Bracket Kit may be used to mount Enclosures with mounting holes. See instructions included with accessory for proper mounting steps.

### Assembly Using Standard Mounting Kit

#### Tools Required

M13 Socket Driver

#### Included Hardware

- (4) Sealing Washers
- (4) M8x40 Lag Screws

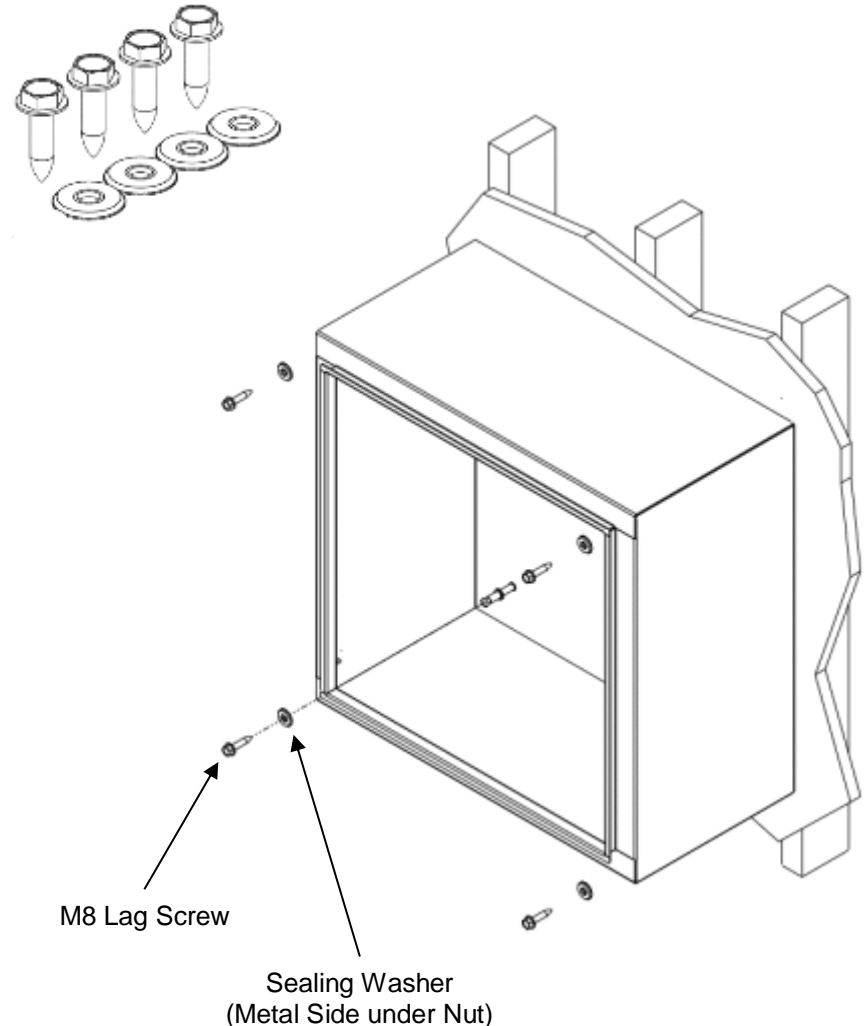
### Assembly Sequence for Enclosures With Mounting Holes

1. Determine desired location of Enclosure on wall.
2. Place Enclosure flush against wall at desired location. Door may be removed for easier mounting.
3. Use the Enclosure as a template or measure the proper locations and drill pilot holes for the two top corner Lag Screws.

Note: The lag screws are intended to go through  $\frac{3}{4}$ " (19mm) plywood back-board and then into wood wall studs. For masonry or other surfaces, the installer must provide appropriate hardware.

4. Install left lag screw with sealing washer through Enclosure into wall.
5. Rotate Enclosure until level.
6. Install right lag screw with sealing washer through Enclosure into wall.
7. Drill pilot holes for remaining lag screws.
8. Install remaining lag screws with sealing washers through Enclosure into wall.

### Assembly Sequence for Enclosures With Mounting Tabs



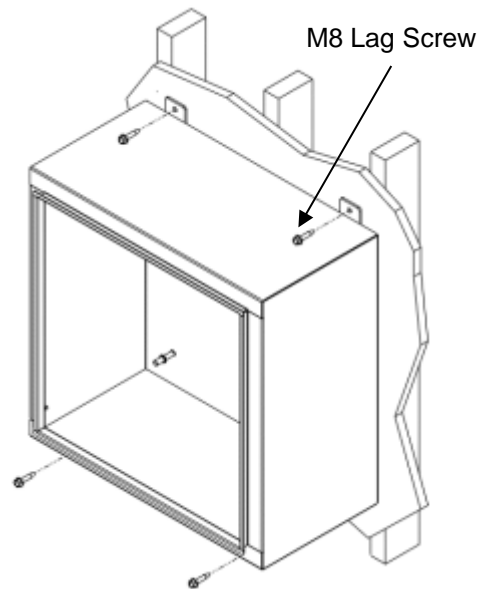
# Installation Instructions

## RMR STANDARD WALL-MOUNT ENCLOSURES (P/Ns A11/A12/A13 and Equivalent)

1. Follow Steps 1-2 from previous sequence.
2. Use the Enclosure as a template or measure the proper locations and drill pilot holes for lag screws.
3. Hold the Enclosure flush against the wall and install lag screws. Sealing washers are not needed in this application.

Note: Bottom lag screws may be installed and used to support enclosure during installation of top lag screws.

Note: The lag screws are intended to go through  $\frac{3}{4}$ " (19mm) plywood back-board and then into wood wall studs. For masonry or other surfaces, the installer must provide appropriate hardware.



### Door Bonding

#### Tools Required

10mm Socket Driver

#### Included Hardware for Each Door

- (1) Quick Disconnect Grounding Wire Assembly
- (2) M6 Nylon Lock Nut

#### Assembly Sequence – Door Bonding

1. Using M6 nuts, attach one end of Grounding Wire to grounding stud on bottom hinge-side corner of door and other side to grounding stud in corner of Enclosure. Tighten to 88 in-lb (9.9 N-m).

