

Installation Instructions

RMR ENCLOSURE SWING-OUT PLATE MOUNTING KIT

Safety Information



WARNING: Improper use of this product may lead to serious injury. Read and understand all instructions for proper installation and use of this product.

Tools Required

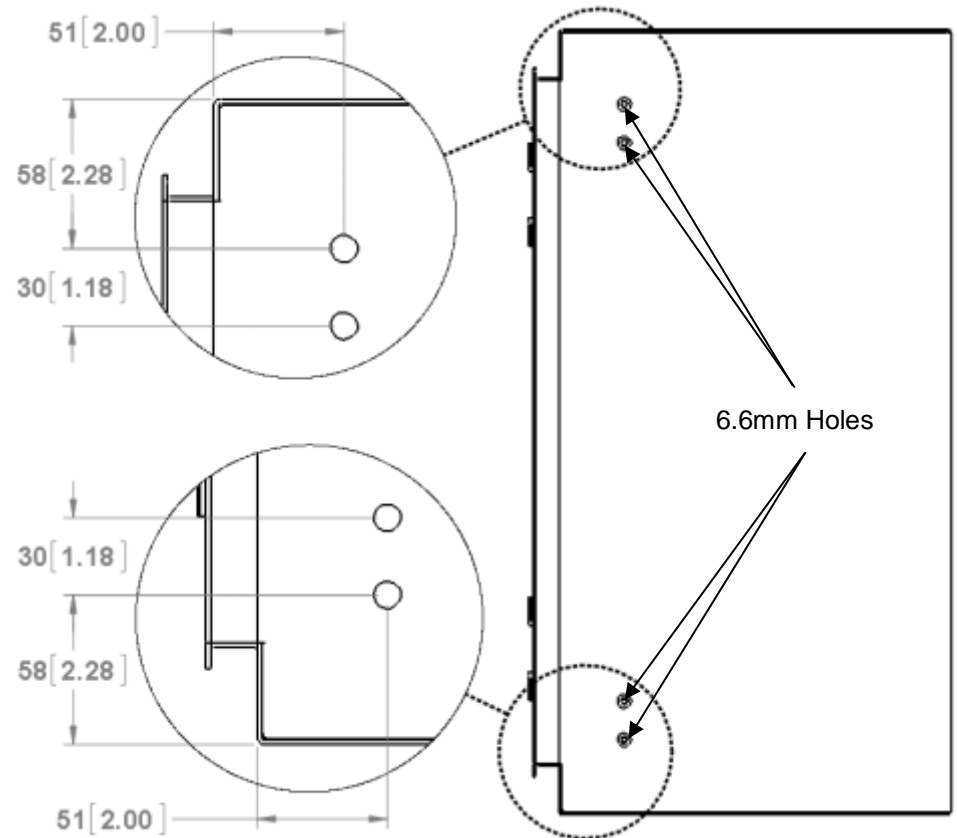
Drill
6.6mm drill bit

Included Hardware

3x Hinge assemblies
3x U bracket
3x Inner hinge
2x Mounting plate bracket
4x M6 sealing washer
2x Knob
3x M10x25 serrated flange hex head screw
3x M10 flange nut
10x M6x16 button head screw
10x M6 flange nut

Assembly Sequence

1. Drill four 6.6mm [.26 in] holes on the side opposite the hinges in locations shown.



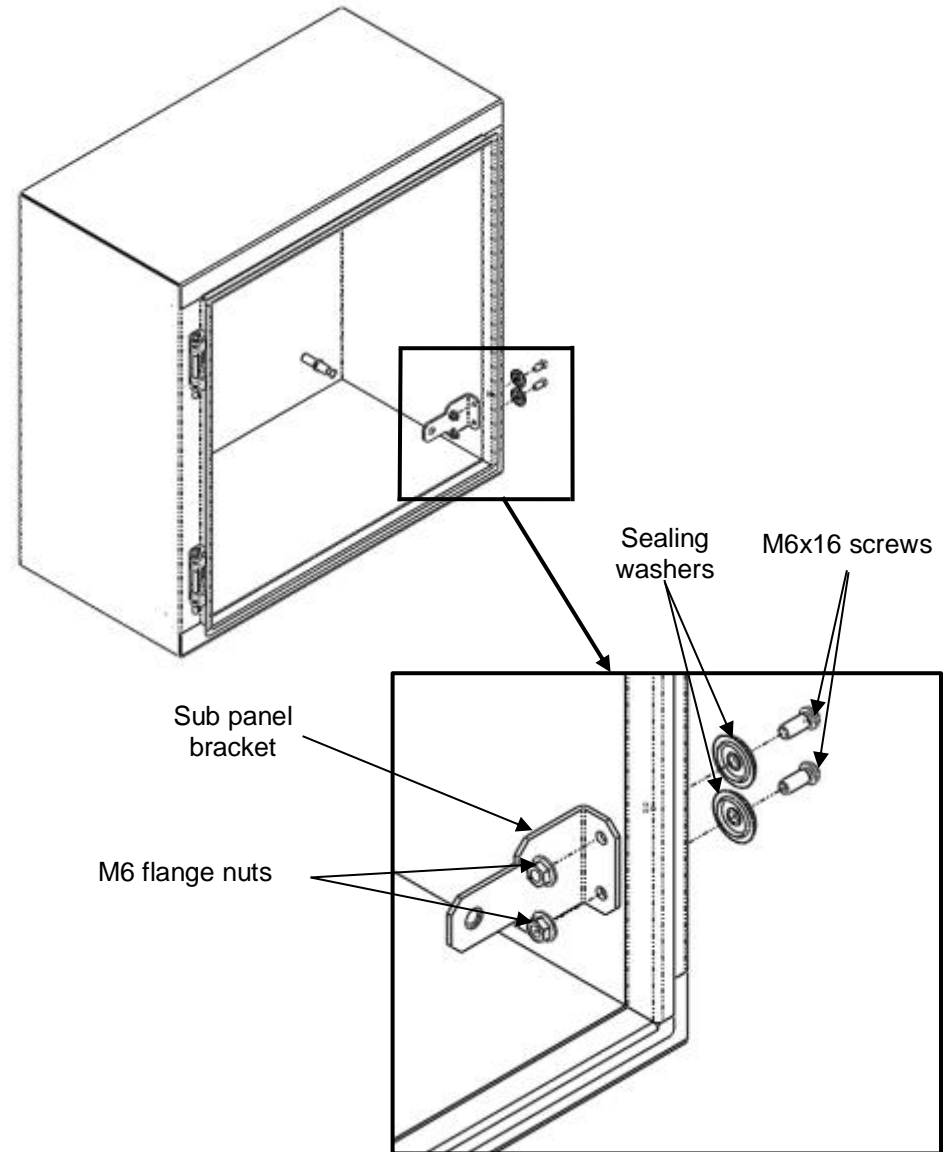
IIS-738086, 02/24/2017, Rev. 1, CPI/BMO
800-834-4969 (USA & Canada) • www.chatsworth.com • techsupport@chatsworth.com
For international phone numbers, see our website or contact CPI Tech Support.

This drawing contains proprietary and confidential information and is protected by U.S. and international law. Unauthorized reproduction, disclosure or use of the drawing or the information therein is expressly forbidden except as agreed to in writing by Chatsworth Products, Inc.

Installation Instructions

RMR ENCLOSURE SWING-OUT PLATE MOUNTING KIT

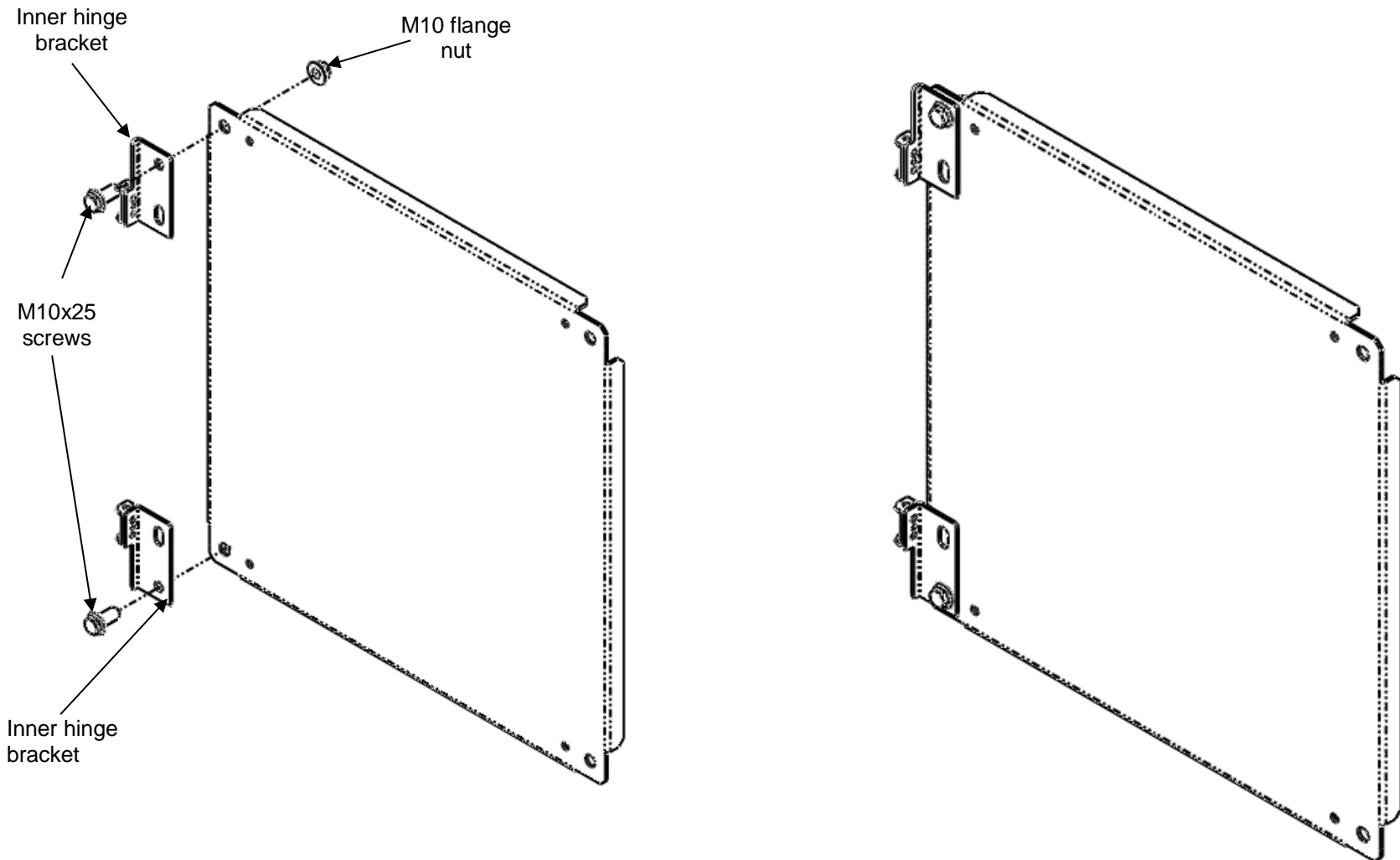
2. Insert M6x16 button head hex socket screws through sealing washers and 6.6mm drilled holes. Attach bracket (2x) to screws using M6 flange nuts. Sealing washers on the outside of the enclosure are imperative to maintaining the sealed system rating. Rubber face of washer should go against the enclosure.



Installation Instructions

RMR ENCLOSURE SWING-OUT PLATE MOUNTING KIT

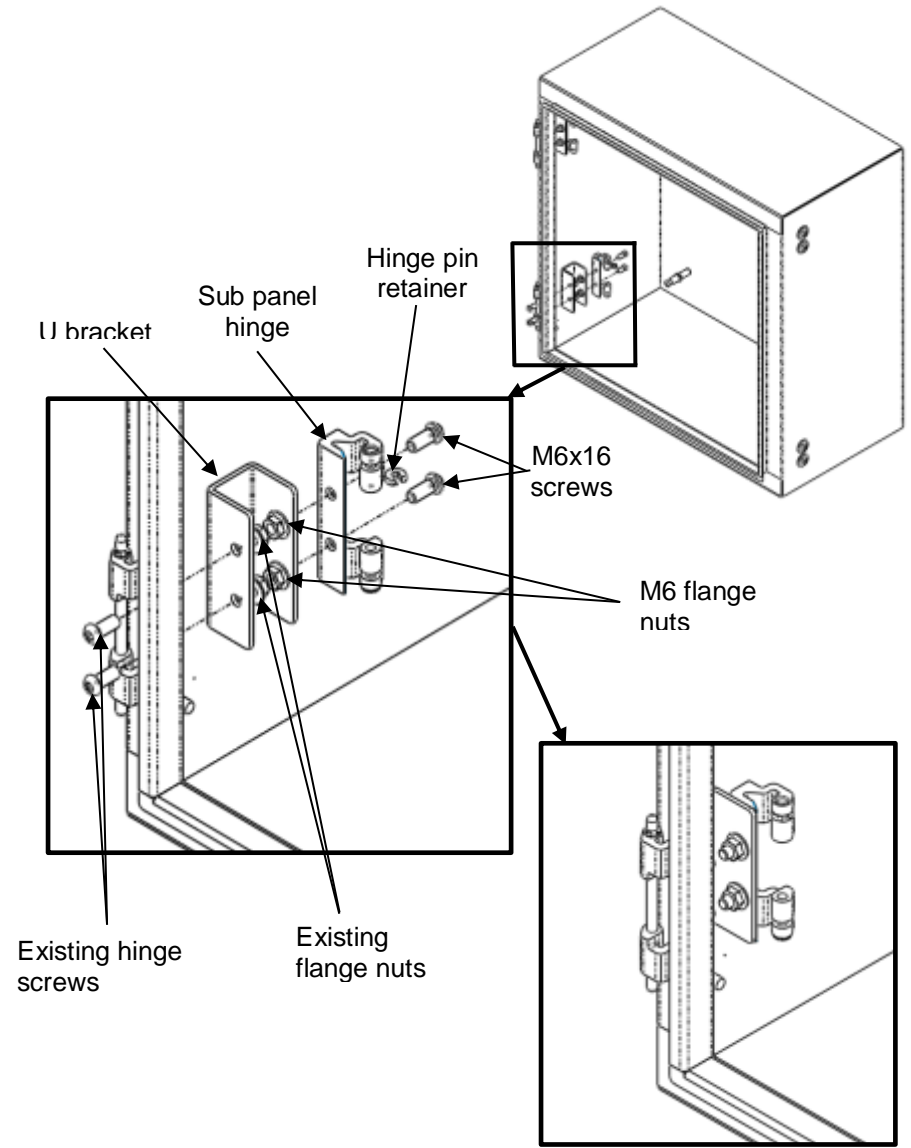
3. Attach inner hinge brackets to mounting plate using M10x25 hex head serrated flange screws and M10 flange nuts.



Installation Instructions

RMR ENCLOSURE SWING-OUT PLATE MOUNTING KIT

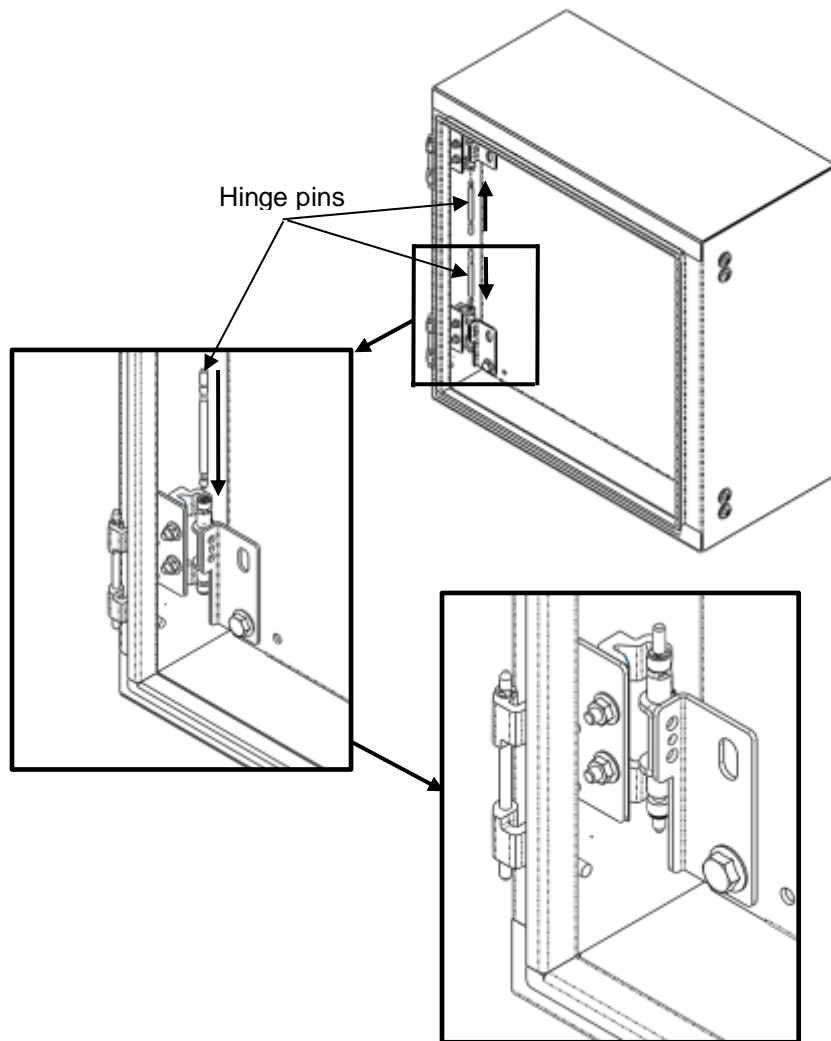
4. Attach hinge (2 or 3 places depending on size of enclosure) in orientation shown to U bracket using M6x16 button head screws and M6 flange nuts.
5. Attach U bracket to inside of enclosure using existing M6x16 hinge screws and M6 flange nuts.
6. Insert hinge pin retainer into hinge slot.



Installation Instructions

RMR ENCLOSURE SWING-OUT PLATE MOUNTING KIT

7. Assemble mounting plate to inside hinges by aligning inner hinges to center of hinges. Insert hinge pins.



8. Install knobs (2x) opposite hinge side.

