

# Installation Instructions

## EF-Series EuroFrame™ Gen 2 Vertical Exhaust Duct

### Safety Information:



**WARNING:** Be sure to use sufficient personnel to safely assemble and install the exhaust duct.

### Intended Use:

Use indoors only, in environmentally controlled areas. Do not use outdoors, in harsh environments or in air-handling spaces.

### Tools Required

#2 Phillips screw driver

### Installation Notes

The Vertical Exhaust Duct (VED) is available for 23.6"W (600 mm), P/N 68251, and 31.5"W (800 mm), P/N 68252, cabinets with frame depths 47.2" (1200 mm). The VED must be used with side panels, a solid rear door with a perimeter seal and a bottom panel.

For best results, include an Air Dam, P/N 68250, and Snap-In Filler Panels, P/N 34537 or 34538, to fully isolate return air from the source air, thus eliminating any possible hot air recirculation in the data center.

### Included Hardware for Exhaust Duct

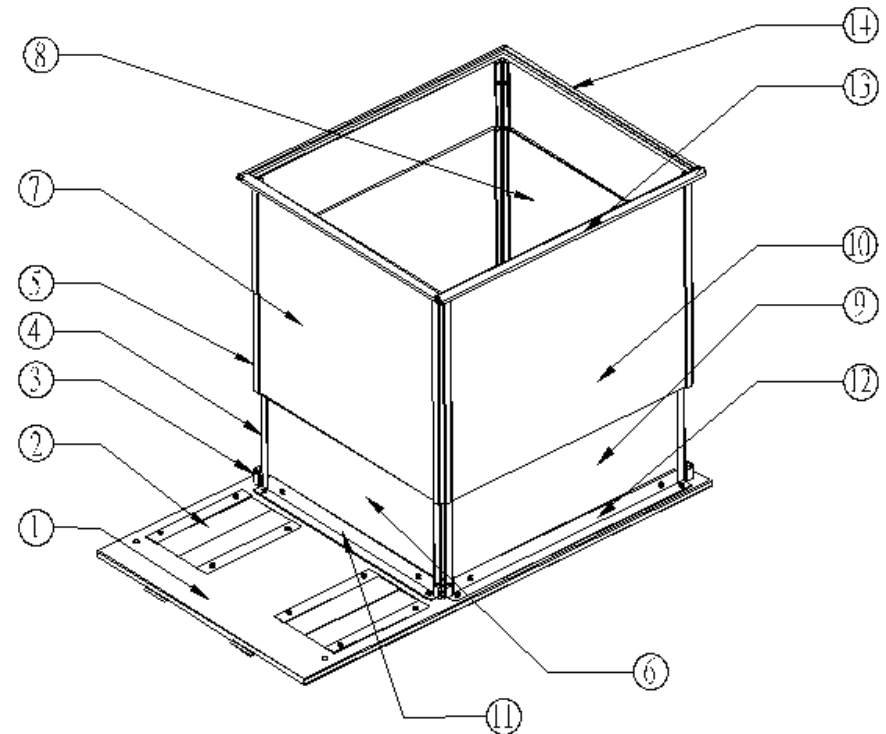
16 Each

M5 x 8mm Phillips screw

24 Each

M3 x 4 Phillips sink screw

### Assembly BOM:



CHATSWORTH PRODUCTS

IIS-768251, 10/2017, Rev. 1, CPI/MZ/JL

800-834-4969 (USA & Canada) • [www.chatsworth.com](http://www.chatsworth.com) • [techsupport@chatsworth.com](mailto:techsupport@chatsworth.com)

For international phone numbers, see our website or contact CPI Tech Support.

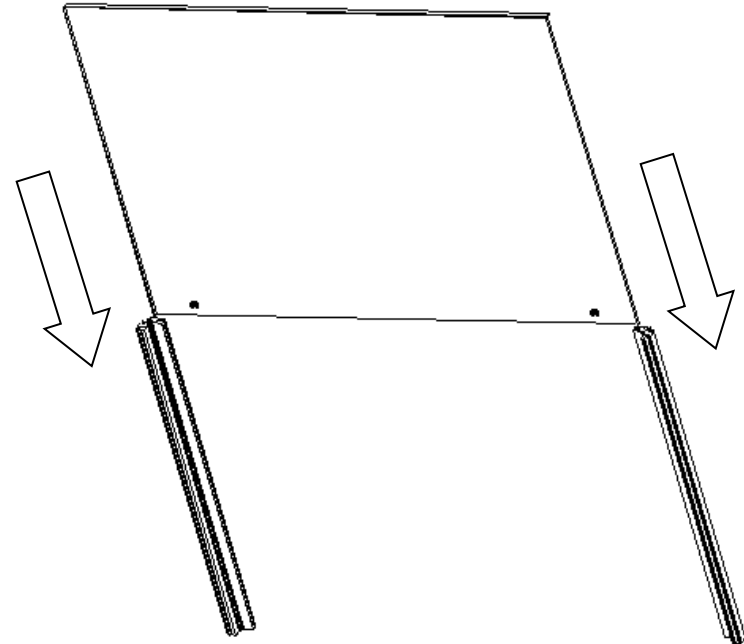
*This drawing contains proprietary and confidential information and is protected by U.S. and international law. Unauthorized reproduction, disclosure or use of the drawing or the information therein is expressly forbidden except as agreed to in writing by Chatsworth Products, Inc..*

# Installation Instructions

## EF-Series EuroFrame™ Gen 2 Vertical Exhaust Duct

### BOM sheet

Item	Qty.	Description
1	1	Top Panel
2	4	Brush cover
3	4	Corner lock
4	4	Inside slide
5	4	Outer slide
6	1	Inside Panel-front
7	2	Outside Panel- front & rear
8	1	Inside panel with brush
9	2	Inside panel- left & right
10	2	Outside panel- left & right
11	2	Mounting Bracket- front & rear
12	2	Mounting Bracket-left & right
13	2	sealing strip- left & right
14	2	sealing strip- front & rear



### Exhaust duct assembly sequence:

1. Put inside panel to the inside slide (Fig. 1).
2. Doing the same way for all inside panel (Fig. 2).
3. Put 4 pcs corner lock into the inside slide, then use 8 pcs M5 screw to install mounting bracket (Fig. 3)

Fig. 1

# Installation Instructions

## EF-Series EuroFrame™ Gen 2 Vertical Exhaust Duct

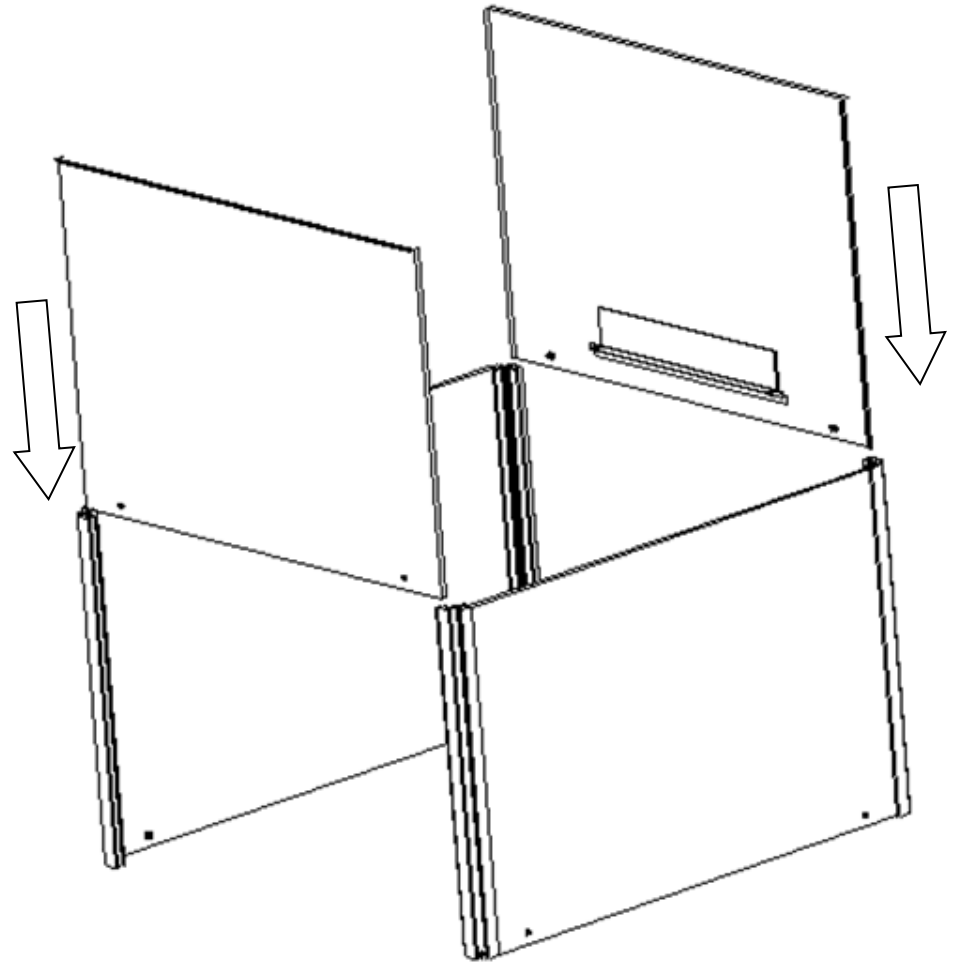
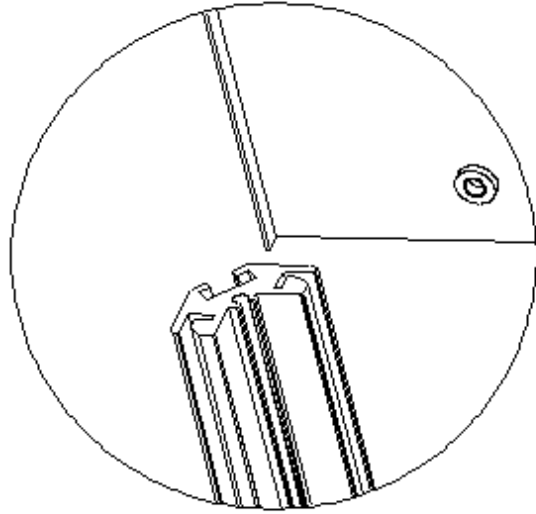


Fig. 2

# Installation Instructions

## EF-Series EuroFrame™ Gen 2 Vertical Exhaust Duct

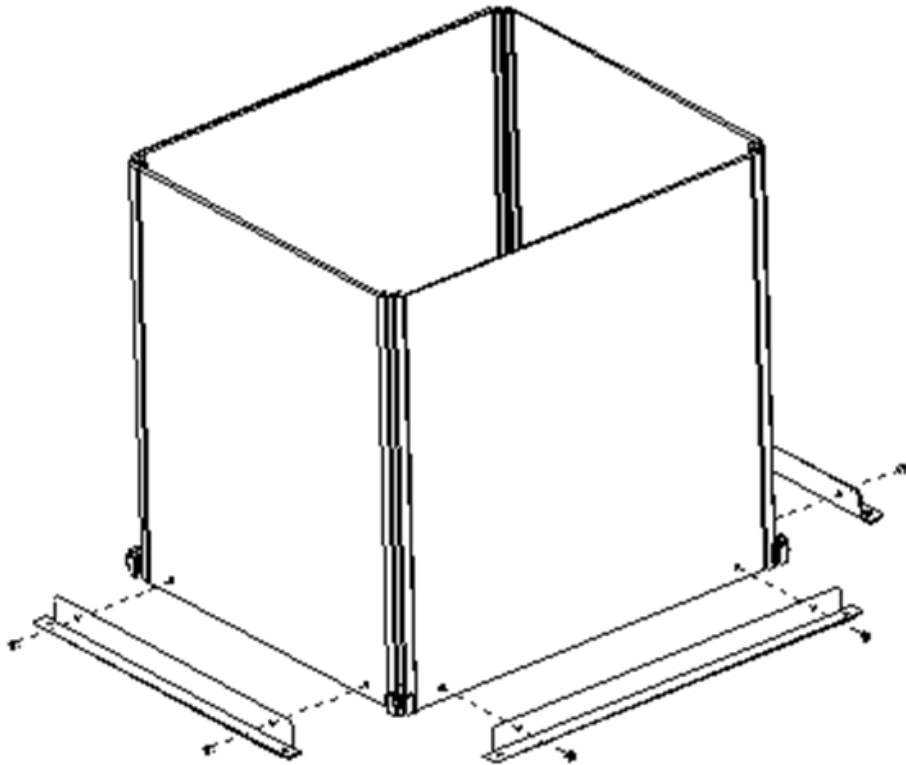
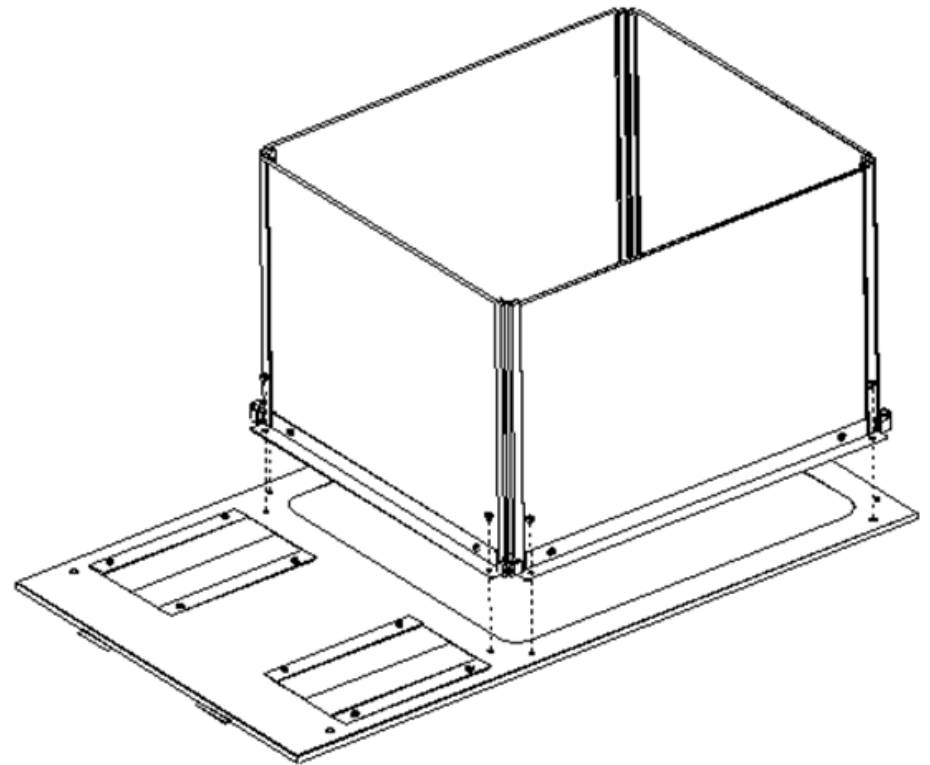


Fig. 3

### Exhaust duct assembly sequence:

4. Use 8 pcs M5 screw to install the bottom part of VED to the top panel (Fig. 4).
5. Same installation for outside panel, use 18 pcs M3 sink screw to fix 3 outside panels and 3 outside slides (Fig. 5).
6. Put top part of VED into the bottom part(Fig. 6)
7. Insert the last outside panel, then use 6 pcs M3 pink screw to install last outside panel(Fig. 7)



# Installation Instructions

## EF-Series EuroFrame™ Gen 2 Vertical Exhaust Duct

Fig. 4

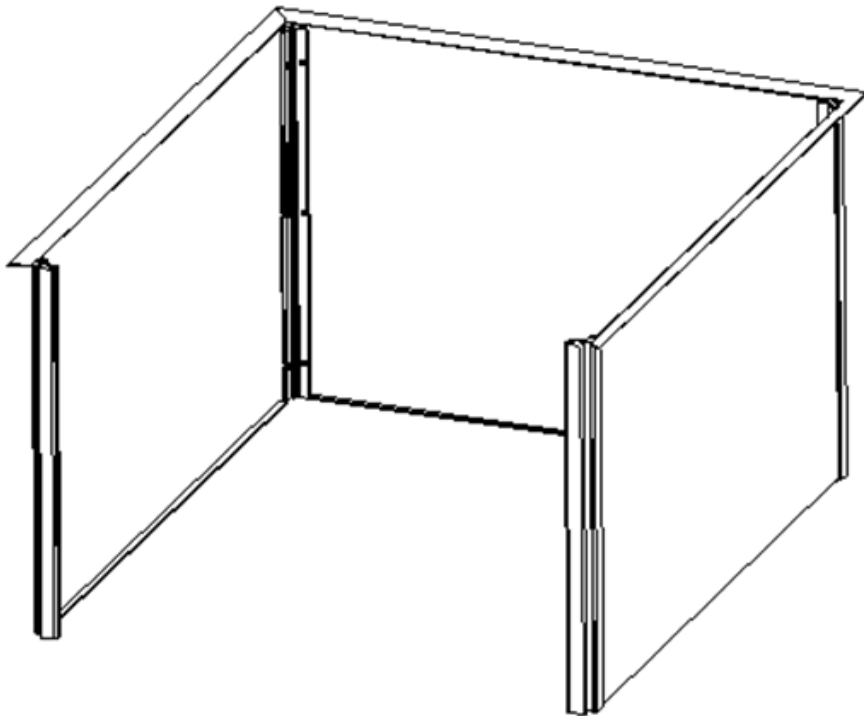
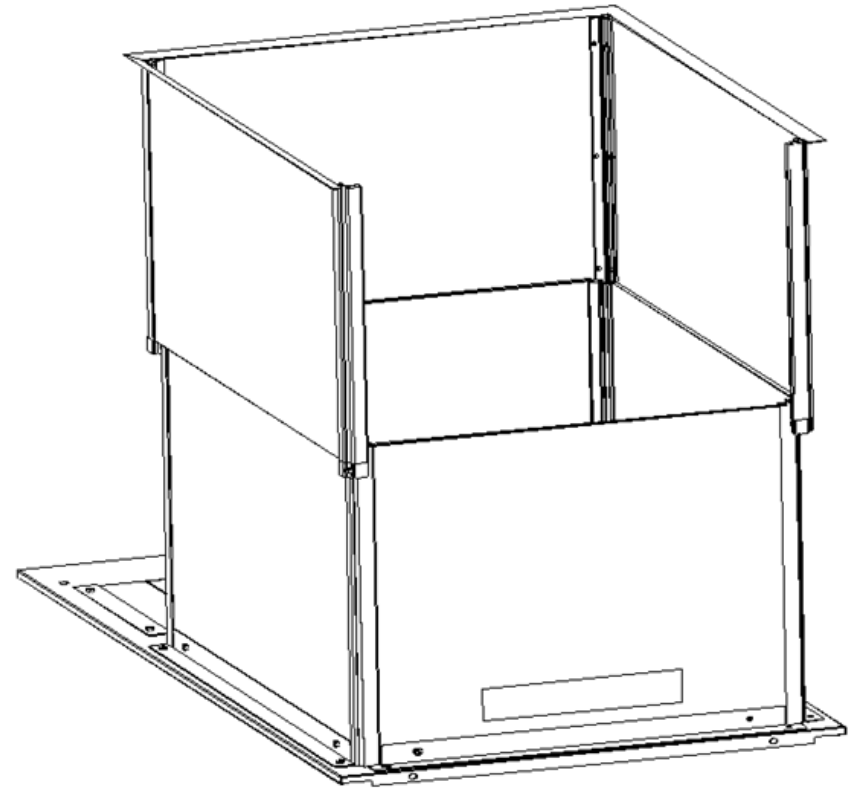


Fig. 5



# Installation Instructions

## EF-Series EuroFrame™ Gen 2 Vertical Exhaust Duct

Fig. 6

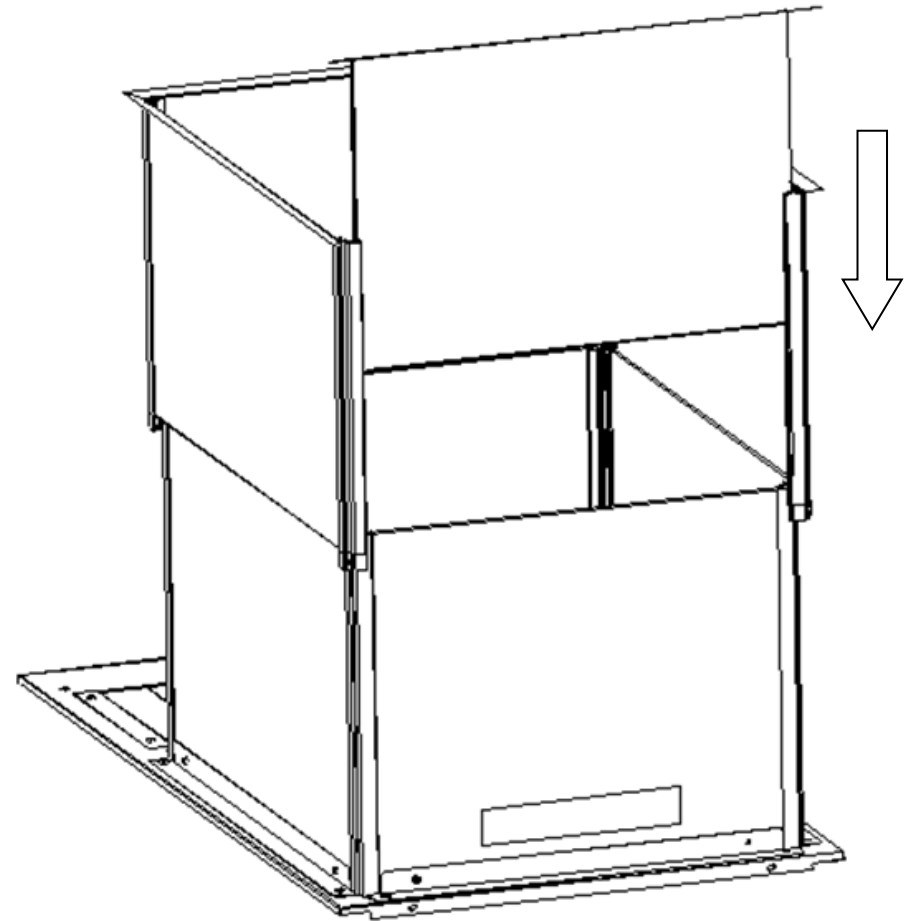


Fig. 7

# Installation Instructions

## EF-Series EuroFrame™ Gen 2 Vertical Exhaust Duct

### Exhaust duct assembly sequence:

8. Insert sealing strip, then adjust the height by corner lock (Fig. 8).
9. Finish assembly (Fig. 9).

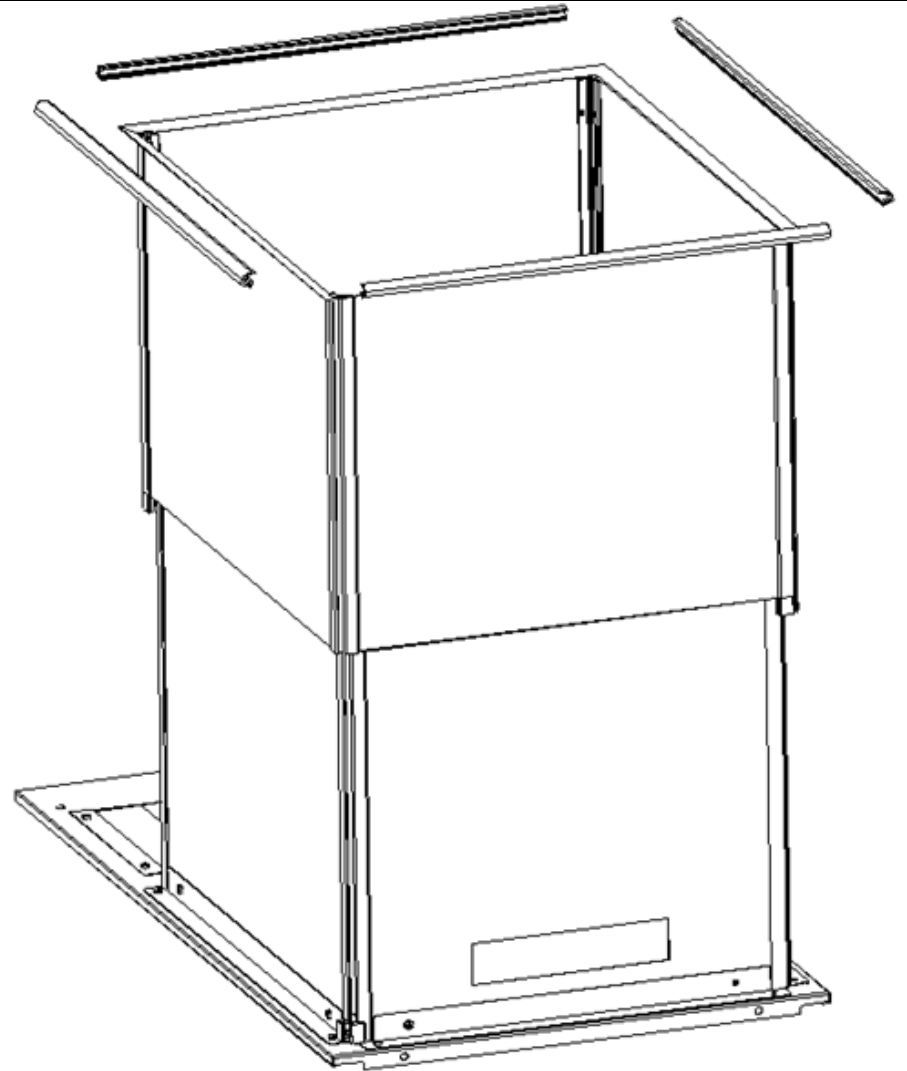


Fig. 8

# Installation Instructions

## EF-Series EuroFrame™ Gen 2 Vertical Exhaust Duct

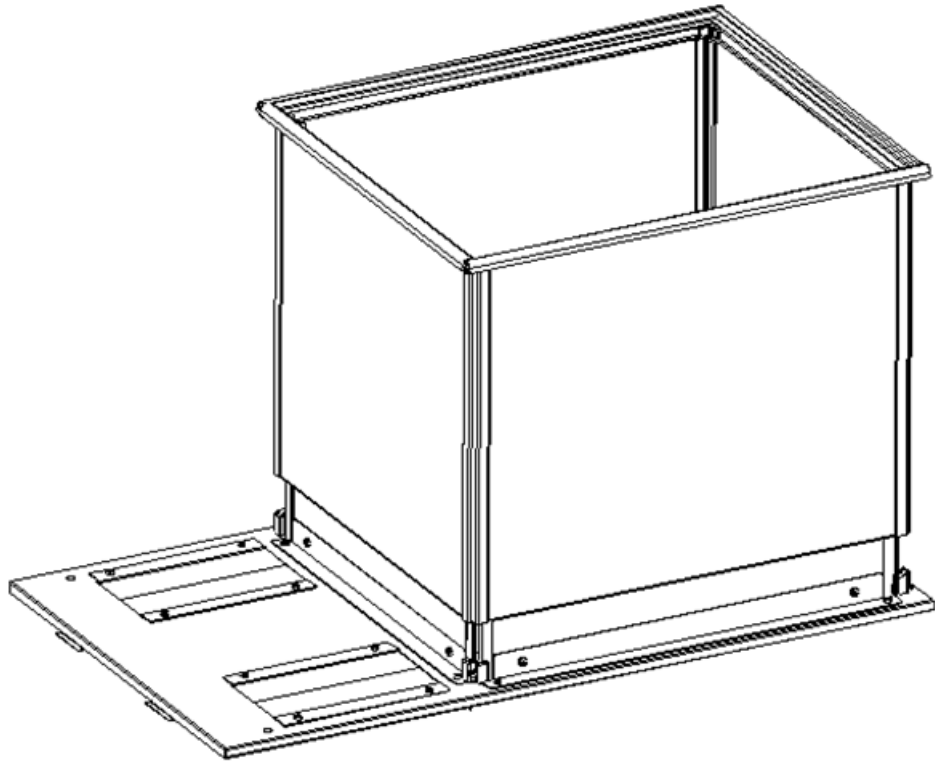


Fig. 9