

Installation Instructions

CUBE-IT FINGER MANAGER, 4U

Safety Information



WARNING: Improper use of this product may lead to serious injury. Read and understand all instructions for proper installation and use of this product.

Tools Required

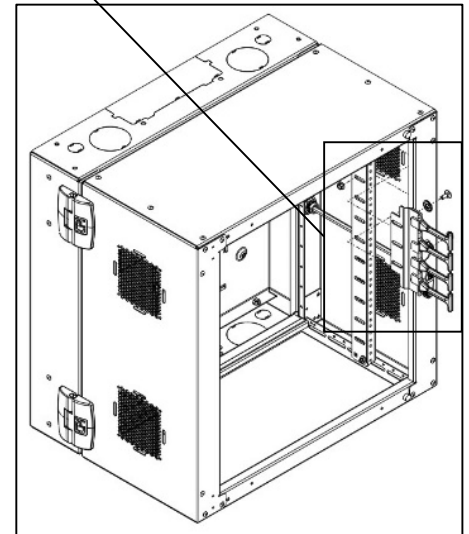
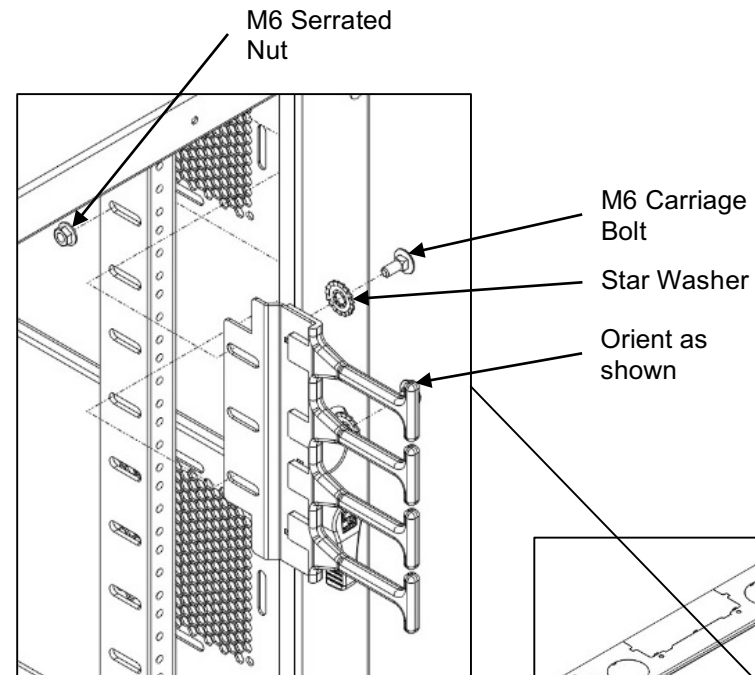
10mm Socket or Box Wrench

Included Hardware

(2) M6 Carriage Bolt
(2) Star Washer
(2) M6 Serrated Nut

Assembly Sequence

1. Place finger manager between the rail and side panel at the desired height.
2. Press mounting tab flush against the rail, align slots of rail and manager.
3. Use provided hardware to fix manager in place as shown in diagrams to the right, tighten to finger tight.
4. Slide manager to desired position within slots.
5. Torque M6 Serrated Nut to 90 IN-LB [10 N-M].



IIS-740970, 12/7/17, Rev. 1, CPI/SJG
800-834-4969 (USA & Canada) • www.chatsworth.com • techsupport@chatsworth.com
For international phone numbers, see our website or contact CPI Tech Support.

This drawing contains proprietary and confidential information and is protected by U.S. and international law. Unauthorized reproduction, disclosure or use of the drawing or the information therein is expressly forbidden except as agreed to in writing by Chatsworth Products, Inc.